

# 1 OMAP3530/25 Applications Processor

## 1.1 Features

- **OMAP3530/25 Applications Processor:**
  - **OMAP™ 3 Architecture**
  - **MPU Subsystem**
    - 600-MHz ARM Cortex™-A8 Core
    - NEON™ SIMD Coprocessor
  - **High Performance Image, Video, Audio (IVA2.2™) Accelerator Subsystem**
    - 430-MHz TMS320C64x+™ DSP Core
    - Enhanced Direct Memory Access (EDMA) Controller (128 Independent Channels)
    - Video Hardware Accelerators
  - **2D/3D Graphics Accelerator (OMAP3530 Device Only)**
    - Tile Based Architecture Delivering up to 10 MPoly/sec
    - Universal Scalable Shader Engine: Multi-threaded Engine Incorporating Pixel and Vertex Shader Functionality
    - Industry Standard API Support: OpenGL ES 1.1 and 2.0, OpenVG1.0 and Direct3D Mobile
    - Fine Grained Task Switching, Load Balancing, and Power Management
    - Programmable High Quality Image Anti-Aliasing
  - **Fully Software-Compatible With C64x and ARM9™**
  - **Commercial and Extended Temperature Grades**
- **Advanced Very-Long-Instruction-Word (VLIW) TMS320C64x+™ DSP Core**
  - **Eight Highly Independent Functional Units**
    - +Six ALUs (32-/40-Bit), Each Supports Single 32-Bit, Dual 16-Bit, or Quad 8-Bit Arithmetic per Clock Cycle
    - Two Multipliers Support Four 16 x 16-Bit Multiplies (32-Bit Results) per Clock Cycle or Eight 8 x 8-Bit Multiplies (16-Bit Results) per Clock Cycle
  - **Load-Store Architecture With Non-Aligned Support**
  - **64 32-Bit General-Purpose Registers**
  - **Instruction Packing Reduces Code Size**
  - **All Instructions Conditional**
  - **Additional C64x+™ Enhancements**
- **Protected Mode Operation**
- **Exceptions Support for Error Detection and Program Redirection**
- **Hardware Support for Modulo Loop Operation**
- **C64x+ L1/L2 Memory Architecture**
  - 32K-Byte L1P Program RAM/Cache (Direct Mapped)
  - 80K-Byte L1D Data RAM/Cache (2-Way Set-Associative)
  - 64K-Byte L2 Unified Mapped RAM/Cache (4-Way Set-Associative)
  - 32K-Byte L2 Shared SRAM and 16K-Byte L2 ROM
- **C64x+ Instruction Set Features**
  - Byte-Addressable (8-/16-/32-/64-Bit Data)
  - 8-Bit Overflow Protection
  - Bit-Field Extract, Set, Clear
  - Normalization, Saturation, Bit-Counting
  - Compact 16-Bit Instructions
  - Additional Instructions to Support Complex Multiplies
- **ARM Cortex™-A8 Core**
  - **ARMv7 Architecture**
    - Trust Zone®
    - Thumb®-2
    - MMU Enhancements
  - In-Order, Dual-Issue, Superscalar Microprocessor Core
  - NEON™ Multimedia Architecture
  - Over 2x Performance of ARMv6 SIMD
  - Supports Both Integer and Floating Point SIMD
  - Jazelle® RCT Execution Environment Architecture
  - Dynamic Branch Prediction with Branch Target Address Cache, Global History Buffer, and 8-Entry Return Stack
  - Embedded Trace Macrocell (ETM) Support for Non-Invasive Debug
- **ARM Cortex™-A8 Memory Architecture:**
  - 16K-Byte Instruction Cache (4-Way Set-Associative)
  - 16K-Byte Data Cache (4-Way Set-Associative)



Please be aware that an important notice concerning availability, standard warranty, and use in critical applications of Texas Instruments semiconductor products and disclaimers thereto appears at the end of this document.

is a trademark of ~ Texas Instruments.

All other trademarks are the property of their respective owners.

- 256K-Byte L2 Cache
- 112K-Byte ROM
- 64K-Byte Shared SRAM
- Endianness:
  - ARM Instructions - Little Endian
  - ARM Data – Configurable
  - DSP Instruction/Data - Little Endian
- External Memory Interfaces:
  - SDRAM Controller (SDRC)
    - 16, 32-bit Memory Controller With 1G-Byte Total Address Space
    - Interfaces to Low-Power Double Data Rate (LPDDR) SDRAM
    - SDRAM Memory Scheduler (SMS) and Rotation Engine
  - General Purpose Memory Controller (GPMC)
    - 16-bit Wide Multiplexed Address/Data Bus
    - Up to 8 Chip Select Pins With 128M-Byte Address Space per Chip Select Pin
    - Glueless Interface to NOR Flash, NAND Flash (With ECC Hamming Code Calculation), SRAM and Pseudo-SRAM
    - Flexible Asynchronous Protocol Control for Interface to Custom Logic (FPGA, CPLD, ASICs, etc.)
    - Nonmultiplexed Address/Data Mode (Limited 2K-Byte Address Space)
- System Direct Memory Access (sDMA) Controller (32 Logical Channels With Configurable Priority)
- Camera Image Signal Processing (ISP)
  - CCD and CMOS Imager Interface
  - Memory Data Input
  - RAW Data Interface
  - BT.601/BT.656 Digital YCbCr 4:2:2 (8-/16-Bit) Interface
  - A-Law Compression and Decompression
  - Preview Engine for Real-Time Image Processing
  - Glueless Interface to Common Video Decoders
  - Histogram Module/Auto-Exposure, Auto-White Balance, and Auto-Focus Engine
  - Resize Engine
    - Resize Images From 1/4x to 4x
    - Separate Horizontal/Vertical Control
- Display Subsystem
  - Parallel Digital Output
    - Up to 24-Bit RGB
  - HD Maximum Resolution
  - Supports Up to 2 LCD Panels
  - Support for Remote Frame Buffer Interface (RFBI) LCD Panels
- 2 10-Bit Digital-to-Analog Converters (DACs) Supporting:
  - Composite NTSC/PAL Video
  - Luma/Chroma Separate Video (S-Video)
- Rotation 90-, 180-, and 270-degrees
- Resize Images From 1/4x to 8x
- Color Space Converter
- 8-bit Alpha Blending
- Serial Communication
  - 5 Multichannel Buffered Serial Ports (McBSPs)
    - 512 Byte Transmit/Receive Buffer (McBSP1/3/4/5)
    - 5K-Byte Transmit/Receive Buffer (McBSP2)
    - SIDETONE Core Support (McBSP2 and 3 Only) For Filter, Gain, and Mix Operations
    - Direct Interface to I2S and PCM Device and TDM Buses
    - 128 Channel Transmit/Receive Mode
  - Four Master/Slave Multichannel Serial Port Interface (McSPI) Ports
  - High-Speed/Full-Speed/Low-Speed USB OTG Subsystem (12-/8-Pin ULPI Interface)
  - High-Speed/Full-Speed/Low-Speed Multiport USB Host Subsystem
    - 12-/8-Pin ULPI Interface or 6-/4-/3-Pin Serial Interface
    - Supports Transceiverless Link Logic (TLL)
  - One HDQ/1-Wire Interface
  - Three UARTs (One with Infrared Data Association [IrDA] and Consumer Infrared [CIR] Modes)
  - Three Master/Slave High-Speed Inter-Integrated Circuit (I2C) Controllers
- Removable Media Interfaces:
  - Three Multimedia Card (MMC)/ Secure Digital (SD) With Secure Data I/O (SDIO)
- Comprehensive Power, Reset, and Clock Management
  - SmartReflex™ Technology
  - Dynamic Voltage and Frequency Scaling (DVFS)
- Test Interfaces
  - IEEE-1149.1 (JTAG) Boundary-Scan Compatible
  - Embedded Trace Macro Interface (ETM)

- Serial Data Transport Interface (SDTI)
- 12 32-bit General Purpose Timers
- 2 32-bit Watchdog Timers
- 1 32-bit 32-kHz Sync Timer
- Up to 188 General-Purpose I/O (GPIO) Pins (Multiplexed With Other Device Functions)
- 65-nm CMOS Technology
- Package-On-Package (POP) Implementation for Memory Stacking (Not Available in CUS Package)
- Discrete Memory Interface (Not Available in CBC Package)
- Packages:
  - 515-pin PBGA package (CBB Suffix), .5mm Ball Pitch (Top), .4mm Ball Pitch (Bottom)
  - 515-pin S-PBGA package (CBC Suffix), .65mm Ball Pitch (Top), .5mm Ball Pitch (Bottom)
- 423-pin PBGA package (CUS Suffix), .65mm Ball Pitch
- 1.8-V I/O and 3.0-V (MMC1 only), 0.8-V to 1.35-V Adaptive Processor Core Voltage, 0.8-V to 1.15-V Adaptive Core Logic Voltage
- Applications:
  - Portable Navigation Devices
  - Portable Media Player
  - Advanced Portable Consumer Electronics
  - Digital TV
  - Digital Video Camera
  - Portable Data Collection
  - Point-of-Sale Devices
  - Gaming
  - Web Tablet
  - Smart White Goods
  - Smart Home Controllers
  - Ultra Mobile Devices

## 1.2 Description

OMAP3530 and OMAP3525 high-performance, applications processors are based on the enhanced OMAP™ 3 architecture.

The OMAP™ 3 architecture is designed to provide best-in-class video, image, and graphics processing sufficient to support the following:

- Streaming video
- 2D/3D mobile gaming
- Video conferencing
- High-resolution still image
- Video capture in 2.5G wireless terminals, 3G wireless terminals, and rich multimedia-featured handsets, and high-performance personal digital assistants (PDAs).

The device supports high-level operating systems (OSs), such as:

- Windows CE
- Symbian OS
- Linux
- Palm OS

This OMAP device includes state-of-the-art power-management techniques required for high-performance mobile products.

The following subsystems are part of the device:

- Microprocessor unit (MPU) subsystem based on the ARM Cortex™-A8 microprocessor
- IVA2.2 subsystem with a C64x+ digital signal processor (DSP) core
- SGX subsystem for 2D and 3D graphics acceleration to support display and gaming effects (3530only)
- Camera image signal processor (ISP) that supports multiple formats and interfacing options connected to a wide variety of image sensors
- Display subsystem with a wide variety of features for multiple concurrent image manipulation, and a programmable interface supporting a wide variety of displays. The display subsystem also supports NTSC/PAL video out.
- Level 3 (L3) and level 4 (L4) interconnects that provide high-bandwidth data transfers for multiple initiators to the internal and external memory controllers and to on-chip peripherals

The device also offers:

- A comprehensive power and clock-management scheme that enables high-performance, low-power operation, and ultralow-power standby features. The device also supports SmartReflex™ adaptative voltage control. This power management technique for automatic control of the operating voltage of a module reduces the active power consumption.
- Memory stacking feature using the package-on-package (POP) implementation (CBB and CBC packages only)

OMAP30/25 devices are available in a 515-pin PBGA package (CBB suffix), 515-pin S-PBGA package (CBC suffix), and a 423-pin PBGA package (CUS suffix). Some features of the CBB and CBC packages are not available in the CUS package.

[Table 1-1](#) lists the differences between the CBB, CBC, and CUS packages.

**Table 1-1. Differences Between CBB, CBC, and CUS Packages**

FEATURE	CBB PACKAGE	CBC PACKAGE	CUS PACKAGE
Pin Assignments	For CBB package pin assignments see <a href="#">Table 2-1, Ball Characteristics (CBB Pkg.)</a>	For CBC package pin assignments see <a href="#">Table 2-2, Ball Characteristics (CBC Pkg.)</a>	For CUS package pin assignments see <a href="#">Table 2-3, Ball Characteristics (CUS Pkg.)</a>
Package-On-Package (POP) Interface	POP interface supported	POP interface supported	POP interface not available
Discrete Memory Interface	Discrete Memory Interface supported	Discrete Memory Interface not supported	Discrete Memory Interface supported
GPMC	Eight chip select pins available	Eight chip select pins available	Chip select pins gpmc_ncs1 and gpmc_ncs2 are not available
	Four wait pins available	Four wait pins available	Wait pins gpmc_wait1 and gpmc_wait2 are not available
UART1	CTS signal is available on 3 pins (triple muxed): uart2_cts (AG22 / W8 / T21), uart2_rts (AH22 / AA9), uart2_tx (F28 / Y8 / AE7), uart2_rx (E26 / AA8)	The following signals are available on one pin only: uart2_cts (AE21 / T19), uart2_rts (AE22 / R2), uart2_tx (H3 / H25 / AE4), uart2_rx (L4 / G26)	CTS signal is available on 3 pins (triple muxed): uart2_cts (AC19 / AC2 / AA18), uart2_rts (W6 / AB19), uart2_tx (E23 / V7 / AC3), uart2_rx (D24 / W7)
UART2	The following signals are available on two pins (double muxed): uart2_cts (AF6/AB26), uart2_rts (AE6/AB25), uart2_tx (AF5/AA25), uart2_rx (AE5/AD25)	The following signals are available on one pin only: uart2_cts (Y24), uart2_rts (AA24), uart2_tx (AD22), uart2_rx (AD21)	The following signals are available on one pin only: uart2_cts (V6), uart2_rts (V5), uart2_tx (W4), uart2_rx (V4)
McBSP3	The following signals are available on three pins (triple muxed): mcbbsp3_dx (AF6 / AB26 / V21), mcbbsp3_dr (AE6 / AB25 / U21), mcbbsp3_clkx (AF5 / AA25 / W21), and mcbbsp3_fsx (AE5 / AD25 / K26)	The following signals are available on two pins (double muxed): mcbbsp3_dx (U17/ Y24), mcbbsp3_dr (T20/ AA24), mcbbsp3_clkx (T17/ AD22), mcbbsp3_fsx (P20/ AD21)	The following signals are available on two pins only (double muxed): mcbbsp3_dx (TBD), mcbbsp3_dr (TBD), mcbbsp3_clkx (TBD), and mcbbsp3_fsx (TBD)
GP Timer	The following signals are available on three pins (triple muxed): gpt8_pwm_evt (N8 / AD25 / V3), gpt9_pwm_evt (T8 / AB26 / Y2), gpt10_pwm_evt (R8 / AB25 / Y3), and gpt11_pwm_evt (P8 / AA25 / Y4)	The following signals are available on three pins (triple muxed): gpt8_pwm_evt (C5/AD21/V9), gpt9_pwm_evt (B4/W8/Y24), gpt10_pwm_evt(C4/U8/AA24), gpt11_pwm_evt(B5/V8/AD22)	The following signals are available on two pins only (double muxed): gpt8_pwm_evt (TBD), gpt9_pwm_evt (TBD), gpt10_pwm_evt (TBD), and gpt11_pwm_evt (TBD)
McBSP4	The following signals are available on two pins (double muxed): mcbbsp4_clkx (T8/AE1), mcbbsp4_dr (R8/AD1), mcbbsp4_dx (P8/AD2), mcbbsp4_fsx (N8/AC1)	The following signals are available on one pin only: mcbbsp4_clkx (B4), mcbbsp4_dr (C4), mcbbsp4_dx (B5), mcbbsp4_fsx (C5)	The following signals are available on one pin only: mcbbsp4_clkx (TBD), mcbbsp4_dr (TBD), mcbbsp4_dx (TBD), mcbbsp4_fsx (TBD)
HSUSB3_TLL	Supported	Supported	Not supported
MM_FSUSB3	Supported	Supported	Not supported
McSPI1	Four chip select pins are available	Four chip select pins are available	Chip select pins mcspi1_cs1 and mcspi1_cs2 are not available
MMC3	The following signals are available on two pins (double muxed): mmc3_cmd (AC3 / AE10), and mmc3_clk (AB1 / AF10)	The following signals are available on two pins (double muxed): mmc3_cmd (R8 / AB3), mmc3_clk (R9 / AB2)	The following signals are available on one pin only: mmc3_cmd (TBD), and mmc3_clk (TBD)

**Table 1-1. Differences Between CBB, CBC, and CUS Packages (continued)**

FEATURE	CBB PACKAGE	CBC PACKAGE	CUS PACKAGE
GPIO	A maximum of 188 GPIO pins are supported.	TBD	<p>A maximum of 170 GPIO pins are supported.</p> <p>The following GPIO pins are not available: gpio_112, gpio_113, gpio_114, gpio_115, gpio_52, gpio_53, gpio_63, gpio_64, gpio_144, gpio_145, gpio_146, gpio_147, gpio_152, gpio_153, gpio_154, gpio_155, gpio_175, and gpio_176.</p> <p>Pin muxing restricts the total number of GPIO pins available at one time. For more details, see <a href="#">Table 2-6, Multiplexing Characteristics (CUS Pkg.)</a>.</p>

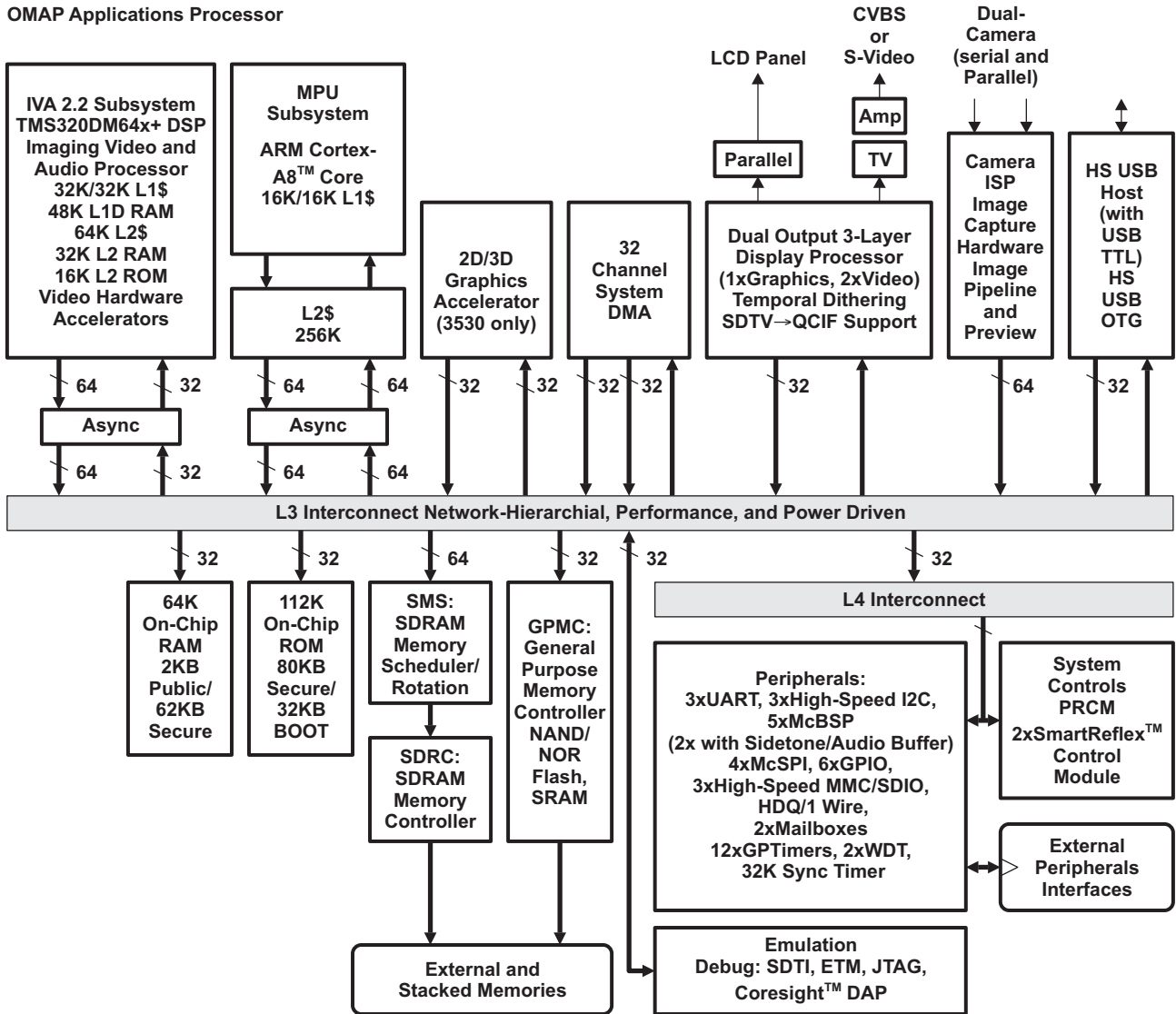
This OMAP3530/25 Applications Processor data manual presents the electrical and mechanical specifications for the OMAP3530/25 Applications Processor. The information contained in this data manual applies to both the commercial and extended temperature versions of the OMAP3530/25 Applications Processor unless otherwise indicated. It consists of the following sections:

- A description of the OMAP3530/25 terminals: assignment, electrical characteristics, multiplexing, and functional description ([Section 2](#))
- A presentation of the electrical characteristics requirements: power domains, operating conditions, power consumption, and dc characteristics ([Section 3](#))
- The clock specifications: input and output clocks, DPLL and DLL ([Section 4](#))
- The video DAC specification ([Section 5](#))
- The timing requirements and switching characteristics (ac timings) of the interfaces ([Section 6](#))
- A description of thermal characteristics, device nomenclature, and mechanical data about the available packaging ([Section 7](#))

### 1.3 Functional Block Diagram

[Figure 1-1](#) shows the functional block diagram of the OMAP3530/25 Applications Processor.

OMAP Applications Processor



PRODUCT PREVIEW

Figure 1-1. OMAP3530/25 Functional Block Diagram

**Contents**

<b>1</b>	<b>OMAP3530/25 Applications Processor</b> .....	<b>1</b>	4.3	DPLL and DLL Specifications .....	<a href="#">142</a>
1.1	Features .....	<a href="#">1</a>	<b>5</b>	<b>VIDEO DAC SPECIFICATIONS</b> .....	<b><a href="#">149</a></b>
1.2	Description .....	<a href="#">4</a>	5.1	Interface Description .....	<a href="#">149</a>
1.3	Functional Block Diagram .....	<a href="#">6</a>	5.2	Electrical Specifications Over Recommended Operating Conditions .....	<a href="#">151</a>
<b>Revision History</b> .....		<b><a href="#">9</a></b>	5.3	Analog Supply (vdda_dac) Noise Requirements ..	<a href="#">153</a>
<b>2</b>	<b>TERMINAL DESCRIPTION</b> .....	<b><a href="#">10</a></b>	5.4	External Component Value Choice .....	<a href="#">154</a>
2.1	Terminal Assignment .....	<a href="#">10</a>	<b>6</b>	<b>TIMING REQUIREMENTS AND SWITCHING CHARACTERISTICS</b> .....	<b><a href="#">155</a></b>
2.2	Ball Characteristics .....	<a href="#">15</a>	6.1	Timing Test Conditions .....	<a href="#">155</a>
2.3	Multiplexing Characteristics .....	<a href="#">68</a>	6.2	Interface Clock Specifications .....	<a href="#">155</a>
2.4	Signal Description .....	<a href="#">91</a>	6.3	Timing Parameters .....	<a href="#">156</a>
<b>3</b>	<b>ELECTRICAL CHARACTERISTICS</b> .....	<b><a href="#">119</a></b>	6.4	External Memory Interfaces .....	<a href="#">157</a>
3.1	Power Domains .....	<a href="#">119</a>	6.5	Video Interfaces .....	<a href="#">186</a>
3.2	Absolute Maximum Ratings .....	<a href="#">121</a>	6.6	Serial Communications Interfaces .....	<a href="#">203</a>
3.3	Recommended Operating Conditions .....	<a href="#">124</a>	6.7	Removable Media Interfaces .....	<a href="#">236</a>
3.4	DC Electrical Characteristics .....	<a href="#">126</a>	6.8	Test Interfaces .....	<a href="#">251</a>
3.5	Core Voltage Decoupling .....	<a href="#">129</a>	<b>7</b>	<b>PACKAGE CHARACTERISTICS</b> .....	<b><a href="#">257</a></b>
3.6	Power-up and Power-down .....	<a href="#">131</a>	7.1	Package Thermal Resistance .....	<a href="#">257</a>
<b>4</b>	<b>CLOCK SPECIFICATIONS</b> .....	<b><a href="#">134</a></b>	7.2	Device Support .....	<a href="#">257</a>
4.1	Input Clock Specifications .....	<a href="#">135</a>			
4.2	Output Clock Specifications .....	<a href="#">140</a>			



## Revision History

NOTE: Page numbers for previous revisions may differ from page numbers in the current version.

This data manual revision history highlights the technical changes made to the SPRS507A device-specific data manual to make it an SPRS507B revision.

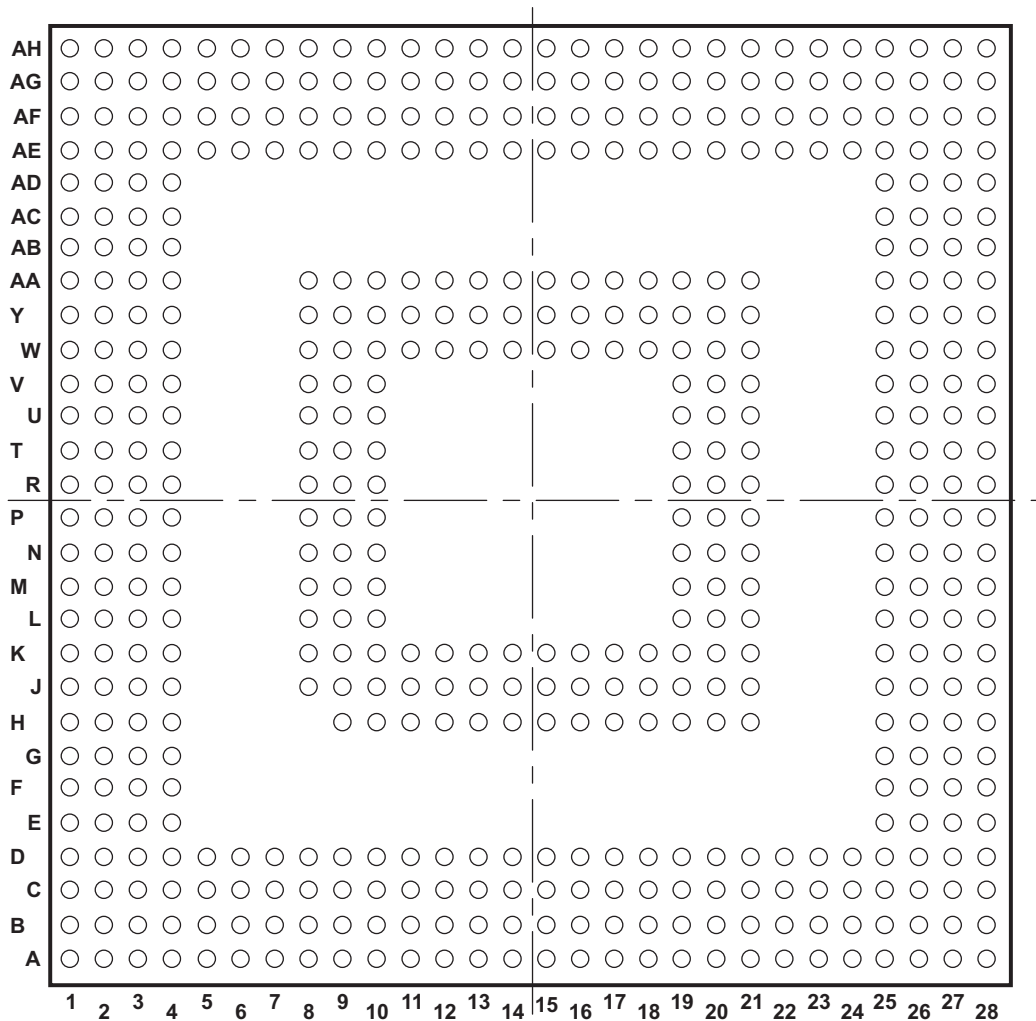
SEE	ADDITIONS/MODIFICATIONS/DELETIONS
Global	<ul style="list-style-type: none"> <li>Added applicable updates for CBC package.</li> </ul>
<a href="#">Table 2-1</a>	Updated/Changed signal name from "VDDS" to "VDDS_MMC1a" for ball numbers P27, P26, R27, and R25.
<a href="#">Table 2-3</a>	Updated/Changed signal name from "VDDS" to "VDDS_MMC1a" for ball numbers N22, N21, N20, and P24.
<a href="#">Section 2.4.1</a>	Updated/Changed <a href="#">Table 2-7</a> , <i>External Memory Interfaces – GPMC Signals Description</i>
<a href="#">Section 2.4.3</a>	Updated/Changed <a href="#">Table 2-17</a> , <i>Serial Communication Interfaces – McBSP LP Signals Description</i>
<a href="#">Section 2.4.3</a>	Updated/Changed <a href="#">Table 2-13</a> , <i>Serial Communication Interfaces – USB Signals Description</i>
<a href="#">Section 2.4.4</a>	Updated/Changed <a href="#">Table 2-20</a> , <i>Removable Media Interfaces – MMC/SDIO Signals Description</i>
<a href="#">Section 2.4.8</a>	Updated/Changed <a href="#">Table 2-28</a> , <i>System and Miscellaneous Signals Description</i>
<a href="#">Section 2.4.8</a>	Updated/Changed <a href="#">Table 2-28</a> , <i>Power Supplies Signals Description</i>
<a href="#">Section 3.2</a>	Updated/Changed <a href="#">Table 3-1</a> , <i>Absolute Maximum Ratings Over Operating Junction Temperature Range</i>
<a href="#">Section 3.3</a>	Updated/Changed <a href="#">Table 3-3</a> , <i>Recommended Operating Conditions</i>
<a href="#">Section 3.4</a>	Updated/Changed <a href="#">Table 3-4</a> , <i>DC Electrical Characteristics</i>
<a href="#">Section 4.1.3</a>	Updated/Changed <a href="#">Table 4-5</a> , <i>12-, 13-, 16.8-, 19.2-, 26-, or 38.4-MHz Input Clock Squarer Timing Requirements</i>
<a href="#">Section 4.2</a>	Updated/Changed <a href="#">Table 4-10</a> , <i>sys_clkout1 Output Clock Electrical Characteristics</i> and <a href="#">Table 4-13</a> , <i>sys_clkout2 Output Clock Switching Characteristics</i>
<a href="#">Section 4.3.3</a>	Updated/Changed <a href="#">Table 4-14</a> , <i>DPLL Characteristics</i>

## 2 TERMINAL DESCRIPTION

### 2.1 Terminal Assignment

Figure 2-1, Figure 2-2, and Figure 2-5 show the ball locations for the 515- and 423- ball plastic ball grid array (PBGA) packages. Table 2-1 through Table 2-29 indicate the signal names and ball grid numbers for both packages.

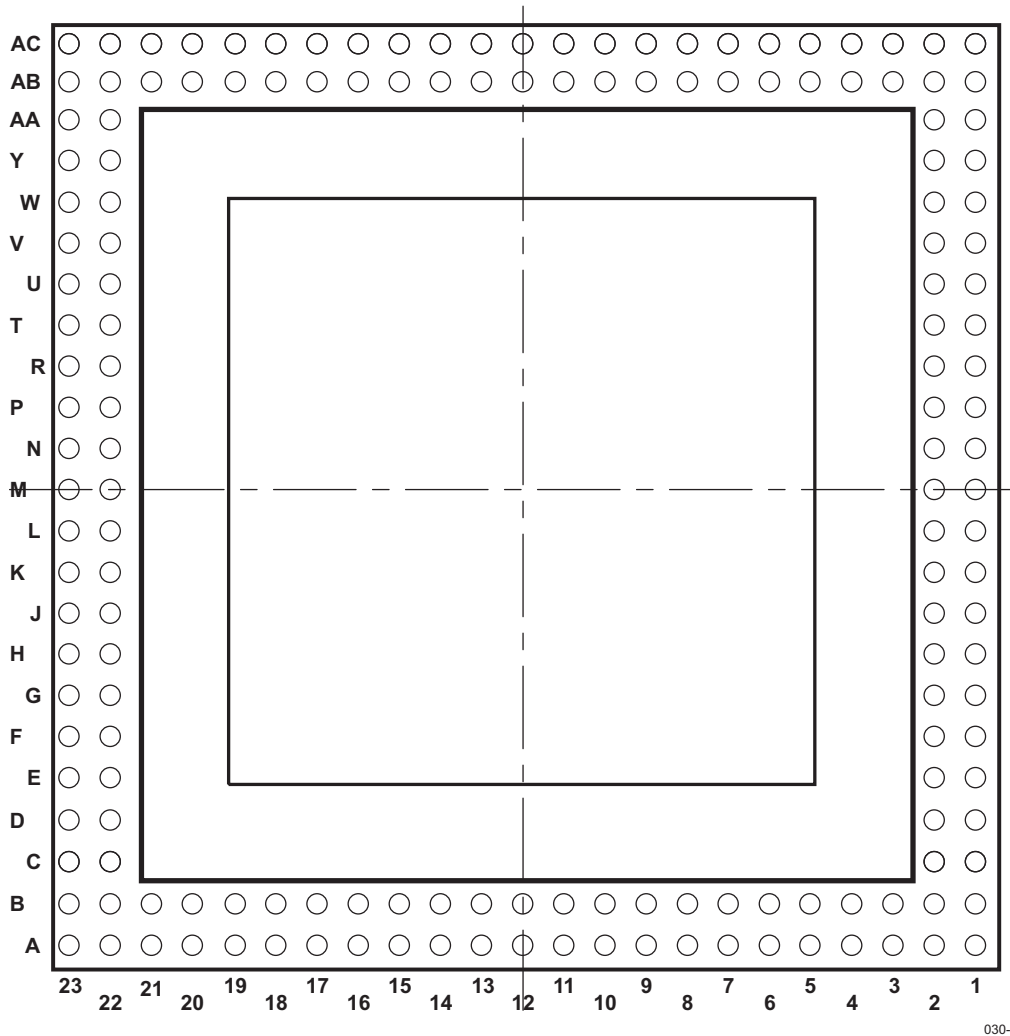
**Note:** There are no balls present on the top of the 423-ball PBGA package.



030-001

Figure 2-1. OMAP3530/25 Applications Processor CBB S-PBGA-N515 Package (Bottom View)

PRODUCT PREVIEW



030-002

Balls A1, A2, A22, A23, AB1, AB2, AB22, AB23, AC1, AC2, AC22, AC23, B1, B2, B22, and B23 are unused.

**Figure 2-2. OMAP3530/25 Applications Processor CBB S-PBGA-N515 Package (Top View)**

PRODUCT PREVIEW

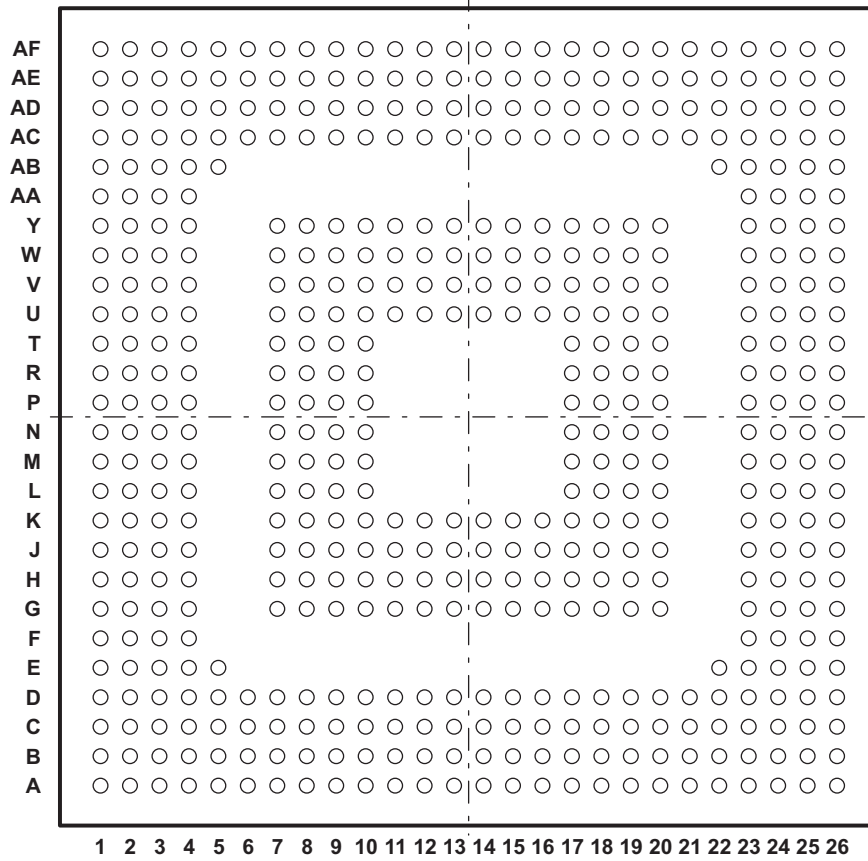


Figure 2-3. OMAP3530/25 Applications Processor CBC-SBGA-515 Package (Bottom View)

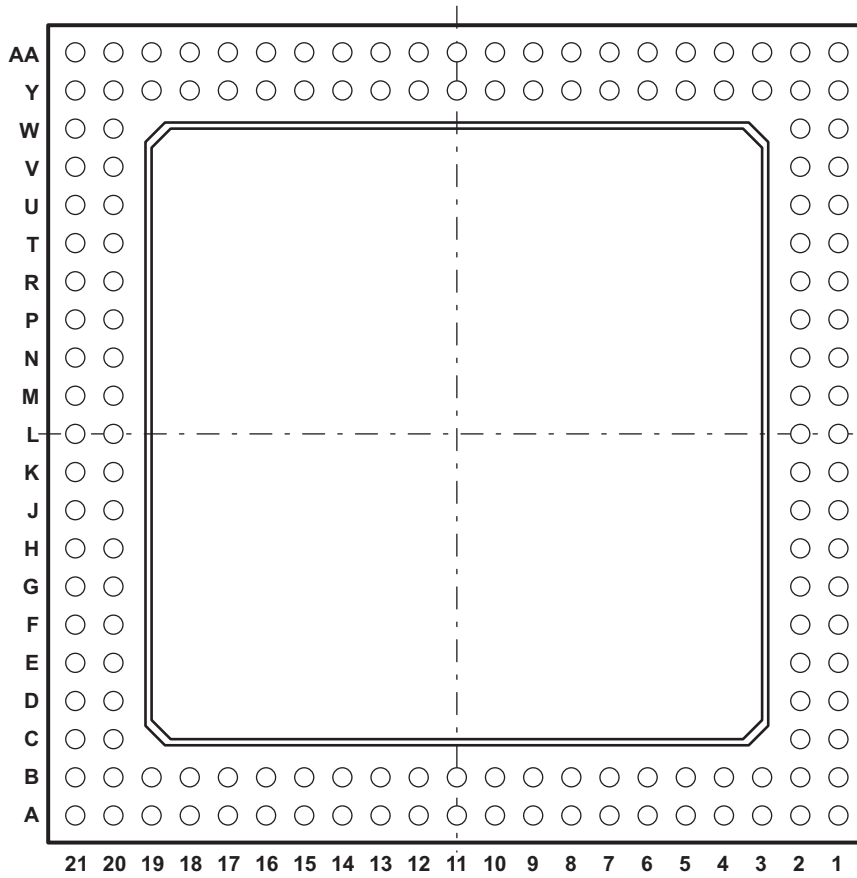


Figure 2-4. OMAP3530/25 Applications Processor CBC-SBGA-515 Package (Top View)

PRODUCT PREVIEW

PRODUCT PREVIEW

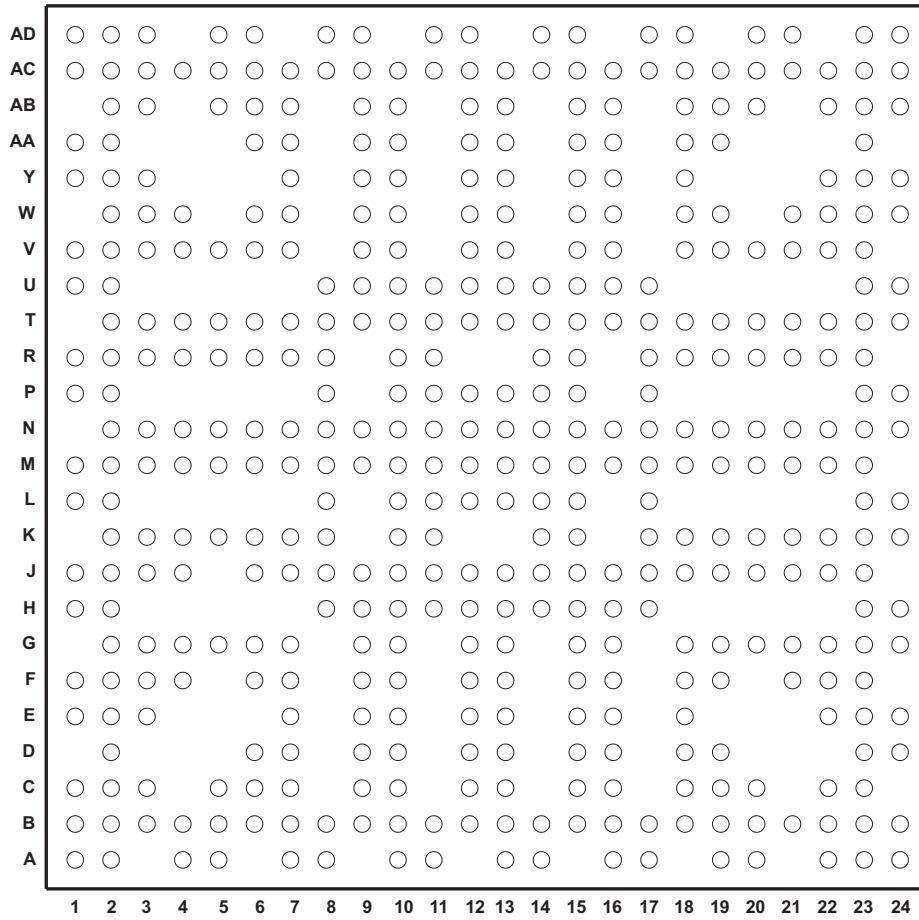


Figure 2-5. OMAP3530/25 Applications Processor CUS-PBGA-N423 Package (Bottom View)

## 2.2 Ball Characteristics

Table 2-1 through Table 2-3 describe the terminal characteristics and the signals multiplexed on each pin for the CBB, CBC, and CUS packages, respectively. The following list describes the table column headers.

1. **BALL BOTTOM:** Ball number(s) on the bottom side associated with each signal(s) on the bottom.
2. **BALL TOP:** Ball number(s) on the top side associated with each signal(s) on the top.
3. **PIN NAME:** Names of signals multiplexed on each ball (also notice that the name of the pin is the signal name in mode 0).

**Note:** Table 2-1 through Table 2-3 do not take into account subsystem pin multiplexing options. Subsystem pin multiplexing options are described in Section 2.4, *Signal Descriptions*.

4. **MODE:** Multiplexing mode number.
  - a. Mode 0 is the primary mode; this means that when mode 0 is set, the function mapped on the pin corresponds to the name of the pin. There is always a function mapped on the primary mode. Notice that primary mode is not necessarily the default mode.
 

**Note:** The default mode is the mode which is automatically configured on release of the internal GLOBAL\_PWRON reset; also see the RESET REL. MODE column.
  - b. Modes 1 to 7 are possible modes for alternate functions. On each pin, some modes are effectively used for alternate functions, while some modes are not used and do not correspond to a functional configuration.
5. **TYPE:** Signal direction
  - I = Input
  - O = Output
  - I/O = Input/Output
  - D = Open drain
  - DS = Differential
  - A = Analog

**Note:** In the safe\_mode, the buffer is configured in high-impedance.

6. **BALL RESET STATE:** The state of the terminal at reset (power up).
  - 0: The buffer drives  $V_{OL}$  (pulldown/pullup resistor not activated)  
0(PD): The buffer drives  $V_{OL}$  with an active pulldown resistor.
  - 1: The buffer drives  $V_{OH}$  (pulldown/pullup resistor not activated)  
1(PU): The buffer drives  $V_{OH}$  with an active pullup resistor.
  - Z: High-impedance
  - L: High-impedance with an active pulldown resistor
  - H : High-impedance with an active pullup resistor
7. **BALL RESET REL. STATE:** The state of the terminal at reset release.
  - 0: The buffer drives  $V_{OL}$  (pulldown/pullup resistor not activated)  
0(PD): The buffer drives  $V_{OL}$  with an active pulldown resistor.
  - 1: The buffer drives  $V_{OH}$  (pulldown/pullup resistor not activated)  
1(PU): The buffer drives  $V_{OH}$  with an active pullup resistor.
  - Z: High-impedance
  - L: High-impedance with an active pulldown resistor
  - H : High-impedance with an active pullup resistor
8. **RESET REL. MODE:** This mode is automatically configured on release of the internal GLOBAL\_PWRON reset.
9. **POWER:** The voltage supply that powers the terminal's I/O buffers.
10. **HYS:** Indicates if the input buffer is with hysteresis.
11. **BUFFER STRENGTH:** Drive strength of the associated output buffer.
12. **PULL U/D - TYPE:** Denotes the presence of an internal pullup or pulldown resistor. Pullup and

pull-down resistors can be enabled or disabled via software.

**Note:** The pullup/pull-down drive strength is equal to 100  $\mu$ A except for CBB balls P27, P26, R27, and R25 and CUB balls N22, N21, N20, and P24, which the pull-down drive strength is equal to 1.8 k $\Omega$ .

13. IO CELL: IO cell information.

**Note:** Configuring two pins to the same input signal is not supported as it can yield unexpected results. This can be easily prevented with the proper software configuration.

Table 2-1. Ball Characteristics (CBB Pkg.)<sup>(1)</sup>

BALL BOTTOM [1]	BALL TOP [2]	PIN NAME [3]	MODE [4]	TYPE [5]	BALL RESET STATE [6]	BALL RESET REL. STATE [7]	RESET REL. MODE [8]	POWER [9]	HYS [10]	BUFFER STRENGTH (mA) [11]	PULL U/D TYPE [12]	IO CELL [13]
D6	J2	sdr_c_d0	0	IO	L	Z	0	VDDS_MEM	Yes	4	PU/ PD	LVCNOS
C6	J1	sdr_c_d1	0	IO	L	Z	0	VDDS_MEM	Yes	4	PU/ PD	LVCNOS
B6	G2	sdr_c_d2	0	IO	L	Z	0	VDDS_MEM	Yes	4	PU/ PD	LVCNOS
C8	G1	sdr_c_d3	0	IO	L	Z	0	VDDS_MEM	Yes	4	PU/ PD	LVCNOS
C9	F2	sdr_c_d4	0	IO	L	Z	0	VDDS_MEM	Yes	4	PU/ PD	LVCNOS
A7	F1	sdr_c_d5	0	IO	L	Z	0	VDDS_MEM	Yes	4	PU/ PD	LVCNOS
B9	D2	sdr_c_d6	0	IO	L	Z	0	VDDS_MEM	Yes	4	PU/ PD	LVCNOS
A9	D1	sdr_c_d7	0	IO	L	Z	0	VDDS_MEM	Yes	4	PU/ PD	LVCNOS
C14	B13	sdr_c_d8	0	IO	L	Z	0	VDDS_MEM	Yes	4	PU/ PD	LVCNOS
B14	A13	sdr_c_d9	0	IO	L	Z	0	VDDS_MEM	Yes	4	PU/ PD	LVCNOS
C15	B14	sdr_c_d10	0	IO	L	Z	0	VDDS_MEM	Yes	4	PU/ PD	LVCNOS
B16	A14	sdr_c_d11	0	IO	L	Z	0	VDDS_MEM	Yes	4	PU/ PD	LVCNOS
D17	B16	sdr_c_d12	0	IO	L	Z	0	VDDS_MEM	Yes	4	PU/ PD	LVCNOS
C17	A16	sdr_c_d13	0	IO	L	Z	0	VDDS_MEM	Yes	4	PU/ PD	LVCNOS
B17	B19	sdr_c_d14	0	IO	L	Z	0	VDDS_MEM	Yes	4	PU/ PD	LVCNOS
D18	A19	sdr_c_d15	0	IO	L	Z	0	VDDS_MEM	Yes	4	PU/ PD	LVCNOS
D11	B3	sdr_c_d16	0	IO	L	Z	0	VDDS_MEM	Yes	4	PU/ PD	LVCNOS
B10	A3	sdr_c_d17	0	IO	L	Z	0	VDDS_MEM	Yes	4	PU/ PD	LVCNOS
C11	B5	sdr_c_d18	0	IO	L	Z	0	VDDS_MEM	Yes	4	PU/ PD	LVCNOS
D12	A5	sdr_c_d19	0	IO	L	Z	0	VDDS_MEM	Yes	4	PU/ PD	LVCNOS
C12	B8	sdr_c_d20	0	IO	L	Z	0	VDDS_MEM	Yes	4	PU/ PD	LVCNOS
A11	A8	sdr_c_d21	0	IO	L	Z	0	VDDS_MEM	Yes	4	PU/ PD	LVCNOS
B13	B9	sdr_c_d22	0	IO	L	Z	0	VDDS_MEM	Yes	4	PU/ PD	LVCNOS
D14	A9	sdr_c_d23	0	IO	L	Z	0	VDDS_MEM	Yes	4	PU/ PD	LVCNOS
C18	B21	sdr_c_d24	0	IO	L	Z	0	VDDS_MEM	Yes	4	PU/ PD	LVCNOS
A19	A21	sdr_c_d25	0	IO	L	Z	0	VDDS_MEM	Yes	4	PU/ PD	LVCNOS
B19	D22	sdr_c_d26	0	IO	L	Z	0	VDDS_MEM	Yes	4	PU/ PD	LVCNOS
B20	D23	sdr_c_d27	0	IO	L	Z	0	VDDS_MEM	Yes	4	PU/ PD	LVCNOS
D20	E22	sdr_c_d28	0	IO	L	Z	0	VDDS_MEM	Yes	4	PU/ PD	LVCNOS
A21	E23	sdr_c_d29	0	IO	L	Z	0	VDDS_MEM	Yes	4	PU/ PD	LVCNOS
B21	G22	sdr_c_d30	0	IO	L	Z	0	VDDS_MEM	Yes	4	PU/ PD	LVCNOS
C21	G23	sdr_c_d31	0	IO	L	Z	0	VDDS_MEM	Yes	4	PU/ PD	LVCNOS
H9	AB21	sdr_c_ba0	0	O	0	0	0	VDDS_MEM	No	4	NA	LVCNOS
H10	AC21	sdr_c_ba1	0	O	0	0	0	VDDS_MEM	No	4	NA	LVCNOS
A4	N22	sdr_c_a0	0	O	0	0	0	VDDS_MEM	No	4	NA	LVCNOS
B4	N23	sdr_c_a1	0	O	0	0	0	VDDS_MEM	No	4	NA	LVCNOS
B3	P22	sdr_c_a2	0	O	0	0	0	VDDS_MEM	No	4	NA	LVCNOS
C5	P23	sdr_c_a3	0	O	0	0	0	VDDS_MEM	No	4	NA	LVCNOS
C4	R22	sdr_c_a4	0	O	0	0	0	VDDS_MEM	No	4	NA	LVCNOS
D5	R23	sdr_c_a5	0	O	0	0	0	VDDS_MEM	No	4	NA	LVCNOS
C3	T22	sdr_c_a6	0	O	0	0	0	VDDS_MEM	No	4	NA	LVCNOS
C2	T23	sdr_c_a7	0	O	0	0	0	VDDS_MEM	No	4	NA	LVCNOS
C1	U22	sdr_c_a8	0	O	0	0	0	VDDS_MEM	No	4	NA	LVCNOS
D4	U23	sdr_c_a9	0	O	0	0	0	VDDS_MEM	No	4	NA	LVCNOS

(1) NA in this table stands for Not Applicable.



**Table 2-1. Ball Characteristics (CBB Pkg.) (continued)**

BALL BOTTOM [1]	BALL TOP [2]	PIN NAME [3]	MODE [4]	TYPE [5]	BALL RESET STATE [6]	BALL RESET REL. STATE [7]	RESET REL. MODE [8]	POWER [9]	HYS [10]	BUFFER STRENGTH (mA) [11]	PULL U/D TYPE [12]	IO CELL [13]
D3	V22	sdr_c_a10	0	O	0	0	0	VDDS_MEM	No	4	NA	LVC MOS
D2	V23	sdr_c_a11	0	O	0	0	0	VDDS_MEM	No	4	NA	LVC MOS
D1	W22	sdr_c_a12	0	O	0	0	0	VDDS_MEM	No	4	NA	LVC MOS
E2	W23	sdr_c_a13	0	O	0	0	0	VDDS_MEM	No	4	NA	LVC MOS
E1	Y22	sdr_c_a14	0	O	0	0	0	VDDS_MEM	No	4	NA	LVC MOS
H11	M22	sdr_c_ncs0	0	O	1	1	0	VDDS_MEM	No	4	NA	LVC MOS
H12	M23	sdr_c_ncs1	0	O	1	1	0	VDDS_MEM	No	4	NA	LVC MOS
A13	A11	sdr_c_clk	0	IO	L	0	0	VDDS_MEM	Yes	4	PU/ PD	LVC MOS
A14	B11	sdr_c_nclk	0	O	1	1	0	VDDS_MEM	No	4	NA	LVC MOS
H16	J22	sdr_c_cke0	0	O	H	1	7	VDDS_MEM	Yes	4	PU/ PD	LVC MOS
		safe_mode	7									
H17	J23	sdr_c_cke1	0	O	H	1	7	VDDS_MEM	Yes	4	PU/ PD	LVC MOS
		safe_mode	7									
H14	L23	sdr_c_nras	0	O	1	1	0	VDDS_MEM	No	4	NA	LVC MOS
H13	L22	sdr_c_ncas	0	O	1	1	0	VDDS_MEM	No	4	NA	LVC MOS
H15	K23	sdr_c_nwe	0	O	1	1	0	VDDS_MEM	No	4	NA	LVC MOS
B7	C1	sdr_c_dm0	0	O	0	0	0	VDDS_MEM	No	4	NA	LVC MOS
A16	A17	sdr_c_dm1	0	O	0	0	0	VDDS_MEM	No	4	NA	LVC MOS
B11	A6	sdr_c_dm2	0	O	0	0	0	VDDS_MEM	No	4	NA	LVC MOS
C20	A20	sdr_c_dm3	0	O	0	0	0	VDDS_MEM	No	4	NA	LVC MOS
A6	C2	sdr_c_dqs0	0	IO	L	Z	0	VDDS_MEM	Yes	4	PU/ PD	LVC MOS
A17	B17	sdr_c_dqs1	0	IO	L	Z	0	VDDS_MEM	Yes	4	PU/ PD	LVC MOS
A10	B6	sdr_c_dqs2	0	IO	L	Z	0	VDDS_MEM	Yes	4	PU/ PD	LVC MOS
A20	B20	sdr_c_dqs3	0	IO	L	Z	0	VDDS_MEM	Yes	4	PU/ PD	LVC MOS
N4	AC15	gpmc_a1	0	O	L	L	7	VDDS_MEM	Yes	4	PU/ PD	LVC MOS
		gpio_34	4	IO								
		safe_mode	7									
M4	AB15	gpmc_a2	0	O	L	L	7	VDDS_MEM	Yes	4	PU/ PD	LVC MOS
		gpio_35	4	IO								
		safe_mode	7									
L4	AC16	gpmc_a3	0	O	L	L	7	VDDS_MEM	Yes	4	PU/ PD	LVC MOS
		gpio_36	4	IO								
		safe_mode	7									
K4	AB16	gpmc_a4	0	O	L	L	7	VDDS_MEM	Yes	4	PU/ PD	LVC MOS
		gpio_37	4	IO								
		safe_mode	7									
T3	AC17	gpmc_a5	0	O	L	L	7	VDDS_MEM	Yes	4	PU/ PD	LVC MOS
		gpio_38	4	IO								
		safe_mode	7									
R3	AB17	gpmc_a6	0	O	H	H	7	VDDS_MEM	Yes	4	PU/ PD	LVC MOS
		gpio_39	4	IO								
		safe_mode	7									
N3	AC18	gpmc_a7	0	O	H	H	7	VDDS_MEM	Yes	4	PU/ PD	LVC MOS
		gpio_40	4	IO								
		safe_mode	7									
M3	AB18	gpmc_a8	0	O	H	H	7	VDDS_MEM	Yes	4	PU/ PD	LVC MOS
		gpio_41	4	IO								
		safe_mode	7									
L3	AC19	gpmc_a9	0	O	H	H	7	VDDS_MEM	Yes	4	PU/ PD	LVC MOS
		sys_ndmareq2	1	I								
		gpio_42	4	IO								
		safe_mode	7									
K3	AB19	gpmc_a10	0	O	H	H	7	VDDS_MEM	Yes	4	PU/ PD	LVC MOS
		sys_ndmareq3	1	I								

**Table 2-1. Ball Characteristics (CBB Pkg.) (continued)**

BALL BOTTOM [1]	BALL TOP [2]	PIN NAME [3]	MODE [4]	TYPE [5]	BALL RESET STATE [6]	BALL RESET REL. STATE [7]	RESET REL. MODE [8]	POWER [9]	HYS [10]	BUFFER STRENGTH (mA) [11]	PULL U/D TYPE [12]	IO CELL [13]
		gpio_43	4	IO								
		safe_mode	7									
K1	M2	gpmc_d0	0	IO	H	H	0	VDDS_MEM	Yes	4	PU/ PD	LVC MOS
L1	M1	gpmc_d1	0	IO	H	H	0	VDDS_MEM	Yes	4	PU/ PD	LVC MOS
L2	N2	gpmc_d2	0	IO	H	H	0	VDDS_MEM	Yes	4	PU/ PD	LVC MOS
P2	N1	gpmc_d3	0	IO	H	H	0	VDDS_MEM	Yes	4	PU/ PD	LVC MOS
T1	R2	gpmc_d4	0	IO	H	H	0	VDDS_MEM	Yes	4	PU/ PD	LVC MOS
V1	R1	gpmc_d5	0	IO	H	H	0	VDDS_MEM	Yes	4	PU/ PD	LVC MOS
V2	T2	gpmc_d6	0	IO	H	H	0	VDDS_MEM	Yes	4	PU/ PD	LVC MOS
W2	T1	gpmc_d7	0	IO	H	H	0	VDDS_MEM	Yes	4	PU/ PD	LVC MOS
H2	AB3	gpmc_d8	0	IO	H	H	0	VDDS_MEM	Yes	4	PU/ PD	LVC MOS
		gpio_44	4	IO								
		safe_mode	7									
K2	AC3	gpmc_d9	0	IO	H	H	0	VDDS_MEM	Yes	4	PU/ PD	LVC MOS
		gpio_45	4	IO								
		safe_mode	7									
P1	AB4	gpmc_d10	0	IO	H	H	0	VDDS_MEM	Yes	4	PU/ PD	LVC MOS
		gpio_46	4	IO								
		safe_mode	7									
R1	AC4	gpmc_d11	0	IO	H	H	0	VDDS_MEM	Yes	4	PU/ PD	LVC MOS
		gpio_47	4	IO								
		safe_mode	7									
R2	AB6	gpmc_d12	0	IO	H	H	0	VDDS_MEM	Yes	4	PU/ PD	LVC MOS
		gpio_48	4	IO								
		safe_mode	7									
T2	AC6	gpmc_d13	0	IO	H	H	0	VDDS_MEM	Yes	4	PU/ PD	LVC MOS
		gpio_49	4	IO								
		safe_mode	7									
W1	AB7	gpmc_d14	0	IO	H	H	0	VDDS_MEM	Yes	4	PU/ PD	LVC MOS
		gpio_50	4	IO								
		safe_mode	7									
Y1	AC7	gpmc_d15	0	IO	H	H	0	VDDS_MEM	Yes	4	PU/ PD	LVC MOS
		gpio_51	4	IO								
		safe_mode	7									
G4	Y2	gpmc_ncs0	0	O	1	1	0	VDDS_MEM	No	4	NA	LVC MOS
H3	Y1	gpmc_ncs1	0	O	H	1	0	VDDS_MEM	Yes	4	PU/ PD	LVC MOS
		gpio_52	4	IO								
		safe_mode	7									
V8	NA	gpmc_ncs2	0	O	H	H	7	VDDS_MEM	Yes	4	PU/ PD	LVC MOS
		gpio_53	4	IO								
		safe_mode	7									
U8	NA	gpmc_ncs3	0	O	H	H	7	VDDS_MEM	Yes	4	PU/ PD	LVC MOS
		sys_ndmareq0	1	I								
		gpio_54	4	IO								
		safe_mode	7									
T8	NA	gpmc_ncs4	0	O	H	H	7	VDDS_MEM	Yes	4	PU/ PD	LVC MOS
		sys_ndmareq1	1	I								
		mcbasp4_clkx	2	IO								
		gpt9_pwm_evt	3	IO								
		gpio_55	4	IO								
		safe_mode	7									
R8	NA	gpmc_ncs5	0	O	H	H	7	VDDS_MEM	Yes	4	PU/ PD	LVC MOS
		sys_ndmareq2	1	I								
		mcbasp4_dr	2	I								

**PRODUCT PREVIEW**

**Table 2-1. Ball Characteristics (CBB Pkg.) (continued)**

BALL BOTTOM [1]	BALL TOP [2]	PIN NAME [3]	MODE [4]	TYPE [5]	BALL RESET STATE [6]	BALL RESET REL. STATE [7]	RESET REL. MODE [8]	POWER [9]	HYS [10]	BUFFER STRENGTH (mA) [11]	PULL U/D TYPE [12]	IO CELL [13]
		gpt10_pwm_evt	3	IO								
		gpio_56	4	IO								
		safe_mode	7									
P8	NA	gpmc_ncs6	0	O	H	H	7	VDDS_MEM	Yes	4	PU/ PD	LVC MOS
		sys_ndmareq3	1	I								
		mcbasp4_dx	2	IO								
		gpt11_pwm_evt	3	IO								
		gpio_57	4	IO								
		safe_mode	7									
N8	NA	gpmc_ncs7	0	O	H	H	7	VDDS_MEM	Yes	4	PU/ PD	LVC MOS
		gpmc_io_dir	1	O								
		mcbasp4_fsx	2	IO								
		gpt8_pwm_evt	3	IO								
		gpio_58	4	IO								
		safe_mode	7									
T4	W2	gpmc_clk	0	O	L	0	0	VDDS_MEM	Yes	4	PU/ PD	LVC MOS
		gpio_59	4	IO								
		safe_mode	7									
F3	W1	gpmc_nadv_ale	0	O	0	0	0	VDDS_MEM	No	4	NA	LVC MOS
G2	V2	gpmc_noe	0	O	1	1	0	VDDS_MEM	No	4	NA	LVC MOS
F4	V1	gpmc_nwe	0	O	1	1	0	VDDS_MEM	No	4	NA	LVC MOS
G3	AC12	gpmc_nbe0_cle	0	O	L	0	0	VDDS_MEM	Yes	4	PU/ PD	LVC MOS
		gpio_60	4	IO								
		safe_mode	7									
U3	NA	gpmc_nbe1	0	O	L	L	7	VDDS_MEM	Yes	4	PU/ PD	LVC MOS
		gpio_61	4	IO								
		safe_mode	7									
H1	AB10	gpmc_nwp	0	O	L	0	0	VDDS_MEM	Yes	4	PU/ PD	LVC MOS
		gpio_62	4	IO								
		safe_mode	7									
M8	AB12	gpmc_wait0	0	I	H	H	0	VDDS_MEM	Yes	NA	PU/ PD	LVC MOS
L8	AC10	gpmc_wait1	0	I	H	H	7	VDDS_MEM	Yes	4	PU/ PD	LVC MOS
		gpio_63	4	IO								
		safe_mode	7									
K8	NA	gpmc_wait2	0	I	H	H	7	VDDS_MEM	Yes	4	PU/ PD	LVC MOS
		gpio_64	4	IO								
		safe_mode	7									
J8	NA	gpmc_wait3	0	I	H	H	7	VDDS_MEM	Yes	4	PU/ PD	LVC MOS
		sys_ndmareq1	1	I								
		gpio_65	4	IO								
		safe_mode	7									
D28	NA	dss_pclk	0	O	H	H	7	VDDS	Yes	4	PU/ PD	LVC MOS
		gpio_66	4	IO								
		safe_mode	7									
D26	NA	dss_hsync	0	O	H	H	7	VDDS	Yes	4	PU/ PD	LVC MOS
		gpio_67	4	IO								
		safe_mode	7									
D27	NA	dss_vsync	0	O	H	H	7	VDDS	Yes	4	PU/ PD	LVC MOS
		gpio_68	4	IO								
		safe_mode	7									
E27	NA	dss_acbias	0	O	L	L	7	VDDS	Yes	8	PU/ PD	LVC MOS
		gpio_69	4	IO								
		safe_mode	7									
AG22	NA	dss_data0	0	IO	L	L	7	VDDS	No	4	PU/ PD	LVDS/ CMOS

**Table 2-1. Ball Characteristics (CBB Pkg.) (continued)**

BALL BOTTOM [1]	BALL TOP [2]	PIN NAME [3]	MODE [4]	TYPE [5]	BALL RESET STATE [6]	BALL RESET REL. STATE [7]	RESET REL. MODE [8]	POWER [9]	HYS [10]	BUFFER STRENGTH (mA) [11]	PULL U/D TYPE [12]	IO CELL [13]
		uart1_cts	2	I								
		gpio_70	4	IO								
		safe_mode	7									
AH22	NA	dss_data1	0	IO	L	L	7	VDDS	No	4	PU/ PD	LVDS/ CMOS
		uart1_rts	2	O								
		gpio_71	4	IO								
		safe_mode	7									
AG23	NA	dss_data2	0	IO	L	L	7	VDDS	No	4	PU/ PD	LVDS/ CMOS
		gpio_72	4	IO								
		safe_mode	7									
AH23	NA	dss_data3	0	IO	L	L	7	VDDS	No	4	PU/ PD	LVDS/ CMOS
		gpio_73	4	IO								
		safe_mode	7									
AG24	NA	dss_data4	0	IO	L	L	7	VDDS	No	4	PU/ PD	LVDS/ CMOS
		uart3_rx_irrx	2	I								
		gpio_74	4	IO								
		safe_mode	7									
AH24	NA	dss_data5	0	IO	L	L	7	VDDS	No	4	PU/ PD	LVDS/ CMOS
		uart3_tx_irtx	2	O								
		gpio_75	4	IO								
		safe_mode	7									
E26	NA	dss_data6	0	IO	L	L	7	VDDS	Yes	8	PU/ PD	LVC MOS
		uart1_tx	2	O								
		gpio_76	4	IO								
		safe_mode	7									
F28	NA	dss_data7	0	IO	L	L	7	VDDS	Yes	8	PU/ PD	LVC MOS
		uart1_rx	2	I								
		gpio_77	4	IO								
		safe_mode	7									
F27	NA	dss_data8	0	IO	L	L	7	VDDS	Yes	8	PU/ PD	LVC MOS
		gpio_78	4	IO								
		safe_mode	7									
G26	NA	dss_data9	0	IO	L	L	7	VDDS	Yes	8	PU/ PD	LVC MOS
		gpio_79	4	IO								
		safe_mode	7									
AD28	NA	dss_data10	0	IO	L	L	7	VDDS	NA	4	PU/ PD	LVDS/ CMOS
		gpio_80	4	IO								
		safe_mode	7									
AD27	NA	dss_data11	0	IO	L	L	7	VDDS	NA	4	PU/ PD	LVDS/ CMOS
		gpio_81	4	IO								
		safe_mode	7									
AB28	NA	dss_data12	0	IO	L	L	7	VDDS	NA	4	PU/ PD	LVDS/ CMOS
		gpio_82	4	IO								
		safe_mode	7									
AB27	NA	dss_data13	0	IO	L	L	7	VDDS	NA	4	PU/ PD	LVDS/ CMOS
		gpio_83	4	IO								
		safe_mode	7									
AA28	NA	dss_data14	0	IO	L	L	7	VDDS	NA	4	PU/ PD	LVDS/ CMOS
		gpio_84	4	IO								
		safe_mode	7									
AA27	NA	dss_data15	0	IO	L	L	7	VDDS	NA	4	PU/ PD	LVDS/ CMOS
		gpio_85	4	IO								
		safe_mode	7									

**PRODUCT PREVIEW**

**Table 2-1. Ball Characteristics (CBB Pkg.) (continued)**

BALL BOTTOM [1]	BALL TOP [2]	PIN NAME [3]	MODE [4]	TYPE [5]	BALL RESET STATE [6]	BALL RESET REL. STATE [7]	RESET REL. MODE [8]	POWER [9]	HYS [10]	BUFFER STRENGTH (mA) [11]	PULL U/D TYPE [12]	IO CELL [13]
G25	NA	dss_data16	0	IO	L	L	7	VDDS	Yes	8	PU/ PD	LVCMOS
		gpio_86	4	IO								
		safe_mode	7									
H27	NA	dss_data17	0	IO	L	L	7	VDDS	Yes	8	PU/ PD	LVCMOS
		gpio_87	4	IO								
		safe_mode	7									
H26	NA	dss_data18	0	IO	L	L	7	VDDS	Yes	8	PU/ PD	LVCMOS
		mcspi3_clk	2	IO								
		dss_data0	3	IO								
		gpio_88	4	IO								
		safe_mode	7									
H25	NA	dss_data19	0	IO	L	L	7	VDDS	Yes	8	PU/ PD	LVCMOS
		mcspi3_simo	2	IO								
		dss_data1	3	IO								
		gpio_89	4	IO								
		safe_mode	7									
E28	NA	dss_data20	0	O	H	H	7	VDDS	Yes	4	PU/ PD	LVCMOS
		mcspi3_somi	2	IO								
		dss_data2	3	IO								
		gpio_90	4	IO								
		safe_mode	7									
J26	NA	dss_data21	0	O	L	L	7	VDDS	Yes	8	PU/ PD	LVCMOS
		mcspi3_cs0	2	IO								
		dss_data3	3	IO								
		gpio_91	4	IO								
		safe_mode	7									
AC27	NA	dss_data22	0	O	L	L	7	VDDS	NA	4	PU/ PD	LVDS/ CMOS
		mcspi3_cs1	2	O								
		dss_data4	3	IO								
		gpio_92	4	IO								
		safe_mode	7									
AC28	NA	dss_data23	0	O	L	L	7	VDDS	NA	4	PU/ PD	LVDS/ CMOS
		dss_data5	3	IO								
		gpio_93	4	IO								
		safe_mode	7									
W28	NA	tv_out2	0	O	Z	0	0	VDDADAC		8	NA	10-bit DAC
Y28	NA	tv_out1	0	O	Z	0	0	VDDADAC		8	NA	10-bit DAC
Y27	NA	tv_vfb1	0	O	Z	NA	0	VDDADAC			NA	10-bit DAC
W27	NA	tv_vfb2	0	O	Z	NA	0	VDDADAC			NA	10-bit DAC
W26	NA	tv_vref	0	I	Z	NA	0	VDDADAC			NA	10-bit DAC
A24	NA	cam_hs	0	IO	L	L	7	VDDS	Yes	4	PU/ PD	LVCMOS
		gpio_94	4	IO								
		safe_mode	7									
A23	NA	cam_vs	0	IO	L	L	7	VDDS	Yes	4	PU/ PD	LVCMOS
		gpio_95	4	IO								
		safe_mode	7									
C25	NA	cam_xclka	0	O	L	L	7	VDDS	Yes	4	PU/ PD	LVCMOS
		gpio_96	4	IO								
		safe_mode	7									
C27	NA	cam_pclk	0	I	L	L	7	VDDS	Yes	4	PU/ PD	LVCMOS
		gpio_97	4	IO								
		safe_mode	7									
C23	NA	cam_fld	0	IO	L	L	7	VDDS	Yes	4	PU/ PD	LVCMOS
		cam_global_reset	2	IO								

**PRODUCT PREVIEW**

**Table 2-1. Ball Characteristics (CBB Pkg.) (continued)**

BALL BOTTOM [1]	BALL TOP [2]	PIN NAME [3]	MODE [4]	TYPE [5]	BALL RESET STATE [6]	BALL RESET REL. STATE [7]	RESET REL. MODE [8]	POWER [9]	HYS [10]	BUFFER STRENGTH (mA) [11]	PULL U/D TYPE [12]	IO CELL [13]
		gpio_98	4	IO								
		safe_mode	7									
AG17	NA	cam_d0	0	I	L	L	7	VDDS	Yes	4	PD	LVDS/ CMOS
		gpio_99	4	I								
		safe_mode	7									
AH17	NA	cam_d1	0	I	L	L	7	VDDS	Yes	4	PD	LVDS/ CMOS
		gpio_100	4	I								
		safe_mode	7									
B24	NA	cam_d2	0	I	L	L	7	VDDS	Yes	4	PU/ PD	LVC MOS
		gpio_101	4	IO								
		safe_mode	7									
C24	NA	cam_d3	0	I	L	L	7	VDDS	Yes	4	PU/ PD	LVC MOS
		gpio_102	4	IO								
		safe_mode	7									
D24	NA	cam_d4	0	I	L	L	7	VDDS	Yes	4	PU/ PD	LVC MOS
		gpio_103	4	IO								
		safe_mode	7									
A25	NA	cam_d5	0	I	L	L	7	VDDS	Yes	4	PU/ PD	LVC MOS
		gpio_104	4	IO								
		safe_mode	7									
K28	NA	cam_d6	0	I	L	L	7	VDDS	NA	4	PD	LVDS/ CMOS
		gpio_105	4	IO								
		safe_mode	7									
L28	NA	cam_d7	0	I	L	L	7	VDDS	NA	4	PD	LVDS/ CMOS
		gpio_106	4	IO								
		safe_mode	7									
K27	NA	cam_d8	0	I	L	L	7	VDDS	NA	4	PD	LVDS/ CMOS
		gpio_107	4	IO								
		safe_mode	7									
L27	NA	cam_d9	0	I	L	L	7	VDDS	NA	4	PD	LVDS/ CMOS
		gpio_108	4	IO								
		safe_mode	7									
B25	NA	cam_d10	0	I	L	L	7	VDDS	Yes	4	PU/ PD	LVC MOS
		gpio_109	4	IO								
		safe_mode	7									
C26	NA	cam_d11	0	I	L	L	7	VDDS	Yes	4	PU/ PD	LVC MOS
		gpio_110	4	IO								
		safe_mode	7									
B26	NA	cam_xclk	0	O	L	L	7	VDDS	Yes	4	PU/ PD	LVC MOS
		gpio_111	4	IO								
		safe_mode	7									
B23	NA	cam_wen	0	I	L	L	7	VDDS	Yes	4	PU/ PD	LVC MOS
		cam_shutter	2	O								
		gpio_167	4	IO								
		safe_mode	7									
D25	NA	cam_strobe	0	O	L	L	7	VDDS	Yes	4	PU/ PD	LVC MOS
		gpio_126	4	IO								
		safe_mode	7									
AG19	NA	gpio_112	4	I	L	L	7	VDDS	Yes	4	PD	LVDS/ CMOS
		safe_mode	7									
AH19	NA	gpio_113	4	I	L	L	7	VDDS	Yes	4	PD	LVDS/ CMOS
		safe_mode	7									
AG18	NA	gpio_114	4	I	L	L	7	VDDS	Yes	4	PD	LVDS/ CMOS
		safe_mode	7									

**Table 2-1. Ball Characteristics (CBB Pkg.) (continued)**

BALL BOTTOM [1]	BALL TOP [2]	PIN NAME [3]	MODE [4]	TYPE [5]	BALL RESET STATE [6]	BALL RESET REL. STATE [7]	RESET REL. MODE [8]	POWER [9]	HYS [10]	BUFFER STRENGTH (mA) [11]	PULL U/D TYPE [12]	IO CELL [13]
AH18	NA	gpio_115	4	I	L	L	7	VDDS	Yes	4	PD	LVDS/ CMOS
		safe_mode	7									
P21	NA	mcbasp2_fsx	0	IO	PGM	L	7	VDDS	Yes	4 <sup>(2)</sup>	PU/ PD	LVCMOS
		gpio_116	4	IO								
		safe_mode	7									
N21	NA	mcbasp2_clkx	0	IO	PGM	L	7	VDDS	Yes	4 <sup>(2)</sup>	PU/ PD	LVCMOS
		gpio_117	4	IO								
		safe_mode	7									
R21	NA	mcbasp2_dr	0	I	PGM	L	7	VDDS	Yes	4 <sup>(2)</sup>	PU/ PD	LVCMOS
		gpio_118	4	IO								
		safe_mode	7									
M21	NA	mcbasp2_dx	0	IO	PGM	L	7	VDDS	Yes	4 <sup>(2)</sup>	PU/ PD	LVCMOS
		gpio_119	4	IO								
		safe_mode	7									
N28	NA	mmc1_clk	0	O	L	L	7	MMC1_ VDDS	Yes	8	PU/ PD	LVCMOS
		gpio_120	4	IO								
		safe_mode	7									
M27	NA	mmc1_cmd	0	IO	L	L	7	MMC1_ VDDS	Yes	8	PU/ PD	LVCMOS
		gpio_121	4	IO								
		safe_mode	7									
N27	NA	mmc1_dat0	0	IO	L	L	7	MMC1_ VDDS	Yes	8	PU/ PD	LVCMOS
		gpio_122	4	IO								
		safe_mode	7									
N26	NA	mmc1_dat1	0	IO	L	L	7	MMC1_ VDDS	Yes	8	PU/ PD	LVCMOS
		gpio_123	4	IO								
		safe_mode	7									
N25	NA	mmc1_dat2	0	IO	L	L	7	MMC1_ VDDS	Yes	8	PU/ PD	LVCMOS
		gpio_124	4	IO								
		safe_mode	7									
P28	NA	mmc1_dat3	0	IO	L	L	7	MMC1_ VDDS	Yes	8	PU/ PD	LVCMOS
		gpio_125	4	IO								
		safe_mode	7									
P27	NA	mmc1_dat4	0	IO	L	L	7	VDDS_MMC1a	No	8	PD	LVCMOS
		gpio_126	4	IO								
		safe_mode	7									
P26	NA	mmc1_dat5	0	IO	L	L	7	VDDS_MMC1a	No	8	PD	LVCMOS
		gpio_127	4	IO								
		safe_mode	7									
R27	NA	mmc1_dat6	0	IO	L	L	7	VDDS_MMC1a	No	8	PD	LVCMOS
		gpio_128	4	IO								
		safe_mode	7									
R25	NA	mmc1_dat7	0	IO	L	L	7	VDDS_MMC1a	No	8	PD	LVCMOS
		gpio_129	4	IO								
		safe_mode	7									
AE2	NA	mmc2_clk	0	O	L	L	7	VDDS	Yes	4	PU/ PD	LVCMOS
		mcspi3_clk	1	IO								
		gpio_130	4	IO								
		safe_mode	7									
AG5	NA	mmc2_cmd	0	IO	H	H	7	VDDS	Yes	4	PU/ PD	LVCMOS
		mcspi3_simo	1	IO								
		gpio_131	4	IO								
		safe_mode	7									

(2) The buffer strength of this IO cell is programmable (2, 4, 6, or 8 mA) according to the selected mode; the default value is described in the above table.

Table 2-1. Ball Characteristics (CBB Pkg.) (continued)

BALL BOTTOM [1]	BALL TOP [2]	PIN NAME [3]	MODE [4]	TYPE [5]	BALL RESET STATE [6]	BALL RESET REL. STATE [7]	RESET REL. MODE [8]	POWER [9]	HYS [10]	BUFFER STRENGTH (mA) [11]	PULL U/D TYPE [12]	IO CELL [13]
AH5	NA	mmc2_dat0	0	IO	H	H	7	VDDS	Yes	4	PU/ PD	LVCMOS
		mcspi3_somi	1	IO								
		gpio_132	4	IO								
		safe_mode	7									
AH4	NA	mmc2_dat1	0	IO	H	H	7	VDDS	Yes	4	PU/ PD	LVCMOS
		gpio_133	4	IO								
		safe_mode	7									
AG4	NA	mmc2_dat2	0	IO	H	H	7	VDDS	Yes	4	PU/ PD	LVCMOS
		mcspi3_cs1	1	O								
		gpio_134	4	IO								
		safe_mode	7									
AF4	NA	mmc2_dat3	0	IO	H	H	7	VDDS	Yes	4	PU/ PD	LVCMOS
		mcspi3_cs0	1	IO								
		gpio_135	4	IO								
		safe_mode	7									
AE4	NA	mmc2_dat4	0	IO	L	L	7	VDDS	Yes	4	PU/ PD	LVCMOS
		mmc2_dir_dat0	1	O								
		mmc3_dat0	3	IO								
		gpio_136	4	IO								
		safe_mode	7									
AH3	NA	mmc2_dat5	0	IO	L	L	7	VDDS	Yes	4	PU/ PD	LVCMOS
		mmc2_dir_dat1	1	O								
		cam_global_reset	2	IO								
		mmc3_dat1	3	IO								
		gpio_137	4	IO								
		hsusb3_tll_stp	5	IO								
		mm3_rxdp	6	IO								
		safe_mode	7									
AF3	NA	mmc2_dat6	0	IO	L	L	7	VDDS	Yes	4	PU/ PD	LVCMOS
		mmc2_dir_cmd	1	O								
		cam_shutter	2	O								
		mmc3_dat2	3	IO								
		gpio_138	4	IO								
		hsusb3_tll_dir	5	IO								
safe_mode	7											
AE3	NA	mmc2_dat7	0	IO	L	L	7	VDDS	Yes	4	PU/ PD	LVCMOS
		mmc2_clkin	1	I								
		mmc3_dat3	3	IO								
		gpio_139	4	IO								
		hsusb3_tll_nxt	5	IO								
		mm3_rxdm	6	IO								
safe_mode	7											
AF6	NA	mcbasp3_dx	0	IO	L	L	7	VDDS	Yes	4	PU/ PD	LVCMOS
		uart2_cts	1	I								
		gpio_140	4	IO								
		hsusb3_tll_data4	5	IO								
		safe_mode	7									
AE6	NA	mcbasp3_dr	0	I	L	L	7	VDDS	Yes	4	PU/ PD	LVCMOS
		uart2_rts	1	O								
		gpio_141	4	IO								
		hsusb3_tll_data5	5	IO								
		safe_mode	7									

PRODUCT PREVIEW



**Table 2-1. Ball Characteristics (CBB Pkg.) (continued)**

BALL BOTTOM [1]	BALL TOP [2]	PIN NAME [3]	MODE [4]	TYPE [5]	BALL RESET STATE [6]	BALL RESET REL. STATE [7]	RESET REL. MODE [8]	POWER [9]	HYS [10]	BUFFER STRENGTH (mA) [11]	PULL U/D TYPE [12]	IO CELL [13]
AF5	NA	mcbasp3_clkx	0	IO	L	L	7	VDDS	Yes	4	PU/ PD	LVCMOS
		uart2_tx	1	O								
		gpio_142	4	IO								
		hsusb3_tll_data6	5	IO								
		safe_mode	7									
AE5	NA	mcbasp3_fsx	0	IO	L	L	7	VDDS	Yes	4	PU/ PD	LVCMOS
		uart2_rx	1	I								
		gpio_143	4	IO								
		hsusb3_tll_data7	5	IO								
		safe_mode	7									
AB26	NA	uart2_cts	0	I	H	H	7	VDDS	Yes	4	PU/ PD	LVCMOS
		mcbasp3_dx	1	IO								
		gpt9_pwm_evt	2	IO								
		gpio_144	4	IO								
		safe_mode	7									
AB25	NA	uart2_rts	0	O	H	H	7	VDDS	Yes	4	PU/ PD	LVCMOS
		mcbasp3_dr	1	I								
		gpt10_pwm_evt	2	IO								
		gpio_145	4	IO								
		safe_mode	7									
AA25	NA	uart2_tx	0	O	H	H	7	VDDS	Yes	4	PU/ PD	LVCMOS
		mcbasp3_clkx	1	IO								
		gpt11_pwm_evt	2	IO								
		gpio_146	4	IO								
		safe_mode	7									
AD25	NA	uart2_rx	0	I	H	H	7	VDDS	Yes	4	PU/ PD	LVCMOS
		mcbasp3_fsx	1	IO								
		gpt8_pwm_evt	2	IO								
		gpio_147	4	IO								
		safe_mode	7									
AA8	NA	uart1_tx	0	O	L	L	7	VDDS	Yes	4	PU/ PD	LVCMOS
		gpio_148	4	IO								
		safe_mode	7									
AA9	NA	uart1_rts	0	O	L	L	7	VDDS	Yes	4	PU/ PD	LVCMOS
		gpio_149	4	IO								
		safe_mode	7									
W8	NA	uart1_cts	0	I	L	L	7	VDDS	Yes	4	PU/ PD	LVCMOS
		gpio_150	4	IO								
		hsusb3_tll_clk	5	O								
		safe_mode	7									
Y8	NA	uart1_rx	0	I	L	L	7	VDDS	Yes	4	PU/ PD	LVCMOS
		mcbasp1_clkr	2	IO								
		mcspi4_clk	3	IO								
		gpio_151	4	IO								
		safe_mode	7									
AE1	NA	mcbasp4_clkx	0	IO	L	L	7	VDDS	Yes	4	PU/ PD	LVCMOS
		gpio_152	4	IO								
		hsusb3_tll_data1	5	IO								
		mm3_txse0	6	IO								
		safe_mode	7									
AD1	NA	mcbasp4_dr	0	I	L	L	7	VDDS	Yes	4	PU/ PD	LVCMOS
		gpio_153	4	IO								
		hsusb3_tll_data0	5	IO								
		mm3_rxcv	6	IO								

**PRODUCT PREVIEW**

Table 2-1. Ball Characteristics (CBB Pkg.) (continued)

BALL BOTTOM [1]	BALL TOP [2]	PIN NAME [3]	MODE [4]	TYPE [5]	BALL RESET STATE [6]	BALL RESET REL. STATE [7]	RESET REL. MODE [8]	POWER [9]	HYS [10]	BUFFER STRENGTH (mA) [11]	PULL U/D TYPE [12]	IO CELL [13]
		safe_mode	7									
AD2	NA	mcbbsp4_dx	0	IO	L	L	7	VDDS	Yes	4	PU/ PD	LVCMOS
		gpio_154	4	IO								
		hsusb3_tll_data2	5	IO								
		mm3_txdat	6	IO								
		safe_mode	7									
AC1	NA	mcbbsp4_fsx	0	IO	L	L	7	VDDS	Yes	4	PU/ PD	LVCMOS
		gpio_155	4	IO								
		hsusb3_tll_data3	5	IO								
		mm3_txen_n	6	IO								
		safe_mode	7									
Y21	NA	mcbbsp1_clk	0	IO	L	L	7	VDDS	Yes	4	PU/ PD	LVCMOS
		mcsapi4_clk	1	IO								
		gpio_156	4	IO								
		safe_mode	7									
AA21	NA	mcbbsp1_fsr	0	IO	L	L	7	VDDS	Yes	4	PU/ PD	LVCMOS
		cam_global_reset	2	IO								
		gpio_157	4	IO								
		safe_mode	7									
V21	NA	mcbbsp1_dx	0	IO	L	L	7	VDDS	Yes	4	PU/ PD	LVCMOS
		mcsapi4_simo	1	IO								
		mcbbsp3_dx	2	IO								
		gpio_158	4	IO								
		safe_mode	7									
U21	NA	mcbbsp1_dr	0	I	L	L	7	VDDS	Yes	4	PU/ PD	LVCMOS
		mcsapi4_somi	1	IO								
		mcbbsp3_dr	2	O								
		gpio_159	4	IO								
		safe_mode	7									
T21	NA	mcbbsp_clks	0	I	L	L	7	VDDS	Yes	4	PU/ PD	LVCMOS
		cam_shutter	2	O								
		gpio_160	4	IO								
		uart1_cts	5	I								
		safe_mode	7									
K26	NA	mcbbsp1_fsx	0	IO	L	L	7	VDDS	Yes	4	PU/ PD	LVCMOS
		mcsapi4_cs0	1	IO								
		mcbbsp3_fsx	2	IO								
		gpio_161	4	IO								
		safe_mode	7									
W21	NA	mcbbsp1_clkx	0	IO	L	L	7	VDDS	Yes	4	PU/ PD	LVCMOS
		mcbbsp3_clkx	2	IO								
		gpio_162	4	IO								
		safe_mode	7									
H18	NA	uart3_cts_rctx	0	IO	H	H	7	VDDS	Yes	4	PU/ PD	LVCMOS
		gpio_163	4	IO								
		safe_mode	7									
H19	NA	uart3_rts_sd	0	O	H	H	7	VDDS	Yes	4	PU/ PD	LVCMOS
		gpio_164	4	IO								
		safe_mode	7									
H20	NA	uart3_rx_irrx	0	I	H	H	7	VDDS	Yes	4	PU/ PD	LVCMOS
		gpio_165	4	IO								
		safe_mode	7									
H21	NA	uart3_tx_irtx	0	O	H	H	7	VDDS	Yes	4	PU/ PD	LVCMOS
		gpio_166	4	IO								

PRODUCT PREVIEW

**Table 2-1. Ball Characteristics (CBB Pkg.) (continued)**

BALL BOTTOM [1]	BALL TOP [2]	PIN NAME [3]	MODE [4]	TYPE [5]	BALL RESET STATE [6]	BALL RESET REL. STATE [7]	RESET REL. MODE [8]	POWER [9]	HYS [10]	BUFFER STRENGTH (mA) [11]	PULL U/D TYPE [12]	IO CELL [13]
		safe_mode	7									
T28	NA	hsusb0_clk	0	I	L	L	7	VDDS	Yes	4	PU/ PD	LVCMOS
		gpio_120	4	IO								
		safe_mode	7									
T25	NA	hsusb0_stp	0	O	H	H	7	VDDS	Yes	4	PU/ PD	LVCMOS
		gpio_121	4	IO								
		safe_mode	7									
R28	NA	hsusb0_dir	0	I	L	L	7	VDDS	Yes	4	PU/ PD	LVCMOS
		gpio_122	4	IO								
		safe_mode	7									
T26	NA	hsusb0_nxt	0	I	L	L	7	VDDS	Yes	4	PU/ PD	LVCMOS
		gpio_124	4	IO								
		safe_mode	7									
T27	NA	hsusb0_data0	0	IO	L	L	7	VDDS	Yes	4	PU/ PD	LVCMOS
		uart3_tx_irtx	2	O								
		gpio_125	4	IO								
		safe_mode	7									
U28	NA	hsusb0_data1	0	IO	L	L	7	VDDS	Yes	4	PU/ PD	LVCMOS
		uart3_rx_irrx	2	I								
		gpio_130	4	IO								
		safe_mode	7									
U27	NA	hsusb0_data2	0	IO	L	L	7	VDDS	Yes	4	PU/ PD	LVCMOS
		uart3_rts_sd	2	O								
		gpio_131	4	IO								
		safe_mode	7									
U26	NA	hsusb0_data3	0	IO	L	L	7	VDDS	Yes	4	PU/ PD	LVCMOS
		uart3_cts_rctx	2	IO								
		gpio_169	4	IO								
		safe_mode	7									
U25	NA	hsusb0_data4	0	IO	L	L	7	VDDS	Yes	4	PU/ PD	LVCMOS
		gpio_188	4	IO								
		safe_mode	7									
V28	NA	hsusb0_data5	0	IO	L	L	7	VDDS	Yes	4	PU/ PD	LVCMOS
		gpio_189	4	IO								
		safe_mode	7									
V27	NA	hsusb0_data6	0	IO	L	L	7	VDDS	Yes	4	PU/ PD	LVCMOS
		gpio_190	4	IO								
		safe_mode	7									
V26	NA	hsusb0_data7	0	IO	L	L	7	VDDS	Yes	4	PU/ PD	LVCMOS
		gpio_191	4	IO								
		safe_mode	7									
K21	NA	i2c1_scl	0	IOD	H	H	0	VDDS	Yes	4	PU/ PD	Open Drain
J21	NA	i2c1_sda	0	IOD	H	H	0	VDDS	Yes	4	PU/ PD	Open Drain
AF15	NA	i2c2_scl	0	IOD	H	H	7	VDDS	Yes	4	PU/ PD	Open Drain
		gpio_168	4	IO								
		safe_mode	7									
AE15	NA	i2c2_sda	0	IOD	H	H	7	VDDS	Yes	4	PU/ PD	Open Drain
		gpio_183	4	IO								
		safe_mode	7									
AF14	NA	i2c3_scl	0	IOD	H	H	7	VDDS	Yes	4	PU/ PD	Open Drain
		gpio_184	4	IO								
		safe_mode	7									
AG14	NA	i2c3_sda	0	IOD	H	H	7	VDDS	Yes	4	PU/ PD	Open Drain
		gpio_185	4	IO								

**Table 2-1. Ball Characteristics (CBB Pkg.) (continued)**

BALL BOTTOM [1]	BALL TOP [2]	PIN NAME [3]	MODE [4]	TYPE [5]	BALL RESET STATE [6]	BALL RESET REL. STATE [7]	RESET REL. MODE [8]	POWER [9]	HYS [10]	BUFFER STRENGTH (mA) [11]	PULL U/D TYPE [12]	IO CELL [13]
		safe_mode	7									
AD26	NA	i2c4_scl	0	IOD	H	H	0	VDDS	Yes	4	PU/ PD	Open Drain
		sys_nvmode1	1	O								
		safe_mode	7									
AE26	NA	i2c4_sda	0	IOD	H	H	0	VDDS	Yes	4	PU/ PD	Open Drain
		sys_nvmode2	1	O								
		safe_mode	7									
J25	NA	hdq_sio	0	IOD	H	H	7	VDDS	Yes	4	PU/ PD	LVCMOS
		sys_altclk	1	I								
		i2c2_sccbe	2	O								
		i2c3_sccbe	3	O								
		gpio_170	4	IO								
		safe_mode	7									
AB3	NA	mcspi1_clk	0	IO	PGM	L	7	VDDS	Yes	4 <sup>(2)</sup>	PU/ PD	LVCMOS
		mmc2_dat4	1	IO								
		gpio_171	4	IO								
		safe_mode	7									
AB4	NA	mcspi1_simo	0	IO	PGM	L	7	VDDS	Yes	4 <sup>(2)</sup>	PU/ PD	LVCMOS
		mmc2_dat5	1	IO								
		gpio_172	4	IO								
		safe_mode	7									
AA4	NA	mcspi1_somi	0	IO	PGM	L	7	VDDS	Yes	4 <sup>(2)</sup>	PU/ PD	LVCMOS
		mmc2_dat6	1	IO								
		gpio_173	4	IO								
		safe_mode	7									
AC2	NA	mcspi1_cs0	0	IO	PGM	H	7	VDDS	Yes	4 <sup>(2)</sup>	PU/ PD	LVCMOS
		mmc2_dat7	1	IO								
		gpio_174	4	IO								
		safe_mode	7									
AC3	NA	mcspi1_cs1	0	O	PGM	H	7	VDDS	Yes	4 <sup>(2)</sup>	PU/ PD	LVCMOS
		mmc3_cmd	3	IO								
		gpio_175	4	IO								
		safe_mode	7									
AB1	NA	mcspi1_cs2	0	O	PGM	H	7	VDDS	Yes	4 <sup>(2)</sup>	PU/ PD	LVCMOS
		mmc3_clk	3	O								
		gpio_176	4	IO								
		safe_mode	7									
AB2	NA	mcspi1_cs3	0	O	H	H	7	VDDS	Yes	4	PU/ PD	LVCMOS
		hsusb2_tll_data2	2	IO								
		hsusb2_data2	3	IO								
		gpio_177	4	IO								
		mm2_txdat	5	IO								
		safe_mode	7									
AA3	NA	mcspi2_clk	0	IO	L	L	7	VDDS	Yes	4	PU/ PD	LVCMOS
		hsusb2_tll_data7	2	IO								
		hsusb2_data7	3	O								
		gpio_178	4	IO								
		safe_mode	7									
Y2	NA	mcspi2_simo	0	IO	L	L	7	VDDS	Yes	4	PU/ PD	LVCMOS
		gpt9_pwm_evt	1	IO								
		hsusb2_tll_data4	2	IO								
		hsusb2_data4	3	I								
		gpio_179	4	IO								
		safe_mode	7									

**PRODUCT PREVIEW**

**Table 2-1. Ball Characteristics (CBB Pkg.) (continued)**

BALL BOTTOM [1]	BALL TOP [2]	PIN NAME [3]	MODE [4]	TYPE [5]	BALL RESET STATE [6]	BALL RESET REL. STATE [7]	RESET REL. MODE [8]	POWER [9]	HYS [10]	BUFFER STRENGTH (mA) [11]	PULL U/D TYPE [12]	IO CELL [13]
Y3	NA	mcspi2_somi	0	IO	L	L	7	VDDS	Yes	4	PU/ PD	LVCMOS
		gpt10_pwm_evt	1	IO								
		hsusb2_tll_data5	2	IO								
		hsusb2_data5	3	O								
		gpio_180	4	IO								
safe_mode	7											
Y4	NA	mcspi2_cs0	0	IO	H	H	7	VDDS	Yes	4	PU/ PD	LVCMOS
		gpt11_pwm_evt	1	IO								
		hsusb2_tll_data6	2	IO								
		hsusb2_data6	3	O								
		gpio_181	4	IO								
safe_mode	7											
V3	NA	mcspi2_cs1	0	O	L	L	7	VDDS	Yes	4	PU/ PD	LVCMOS
		gpt8_pwm_evt	1	IO								
		hsusb2_tll_data3	2	IO								
		hsusb2_data3	3	IO								
		gpio_182	4	IO								
		mm2_txen_n	5	IO								
safe_mode	7											
AE25	NA	sys_32k	0	I	Z	I	NA	VDDS	Yes	NA	NA	LVCMOS
AE17	NA	sys_xtalin	0	I	Z	I	NA	VDDS	Yes		NA	LVCMOS
AF17	NA	sys_xtalout	0	O	Z	O	NA	VDDS	Yes		NA	LVCMOS
AF25	NA	sys_clkreq	0	IO	0	1	0	VDDS	Yes	4	PU/ PD	LVCMOS
		gpio_1	4	IO								
		safe_mode	7									
AF26	NA	sys_nirq	0	I	H	H	7	VDDS	Yes	4	PU/ PD	LVCMOS
		gpio_0	4	IO								
		safe_mode	7									
AH25	NA	sys_nrespwrn	0	I	Z	I	NA	VDDS	Yes	NA	NA	LVCMOS
AF24	NA	sys_nreswarm	0	IOD	0	1 (PU)	0	VDDS	Yes	4	PU/ PD	LVCMOS
		gpio_30	4	IO								
		safe_mode	7									
AH26	NA	sys_boot0	0	I	Z	Z	0	VDDS	Yes	4	PU/ PD	LVCMOS
		gpio_2	4	IO								
		safe_mode	7									
AG26	NA	sys_boot1	0	I	Z	Z	0	VDDS	Yes	4	PU/ PD	LVCMOS
		gpio_3	4	IO								
		safe_mode	7									
AE14	NA	sys_boot2	0	I	Z	Z	0	VDDS	Yes	4	PU/ PD	LVCMOS
		gpio_4	4	IO								
		safe_mode	7									
AF18	NA	sys_boot3	0	I	Z	Z	0	VDDS	Yes	4	PU/ PD	LVCMOS
		gpio_5	4	IO								
		safe_mode	7									
AF19	NA	sys_boot4	0	I	Z	Z	0	VDDS	Yes	4	PU/ PD	LVCMOS
		mmc2_dir_dat2	1	O								
		gpio_6	4	IO								
safe_mode	7											
AE21	NA	sys_boot5	0	I	Z	Z	0	VDDS	Yes	4	PU/ PD	LVCMOS
		mmc2_dir_dat3	1	O								
		gpio_7	4	IO								
		safe_mode	7									
AF21	NA	sys_boot6	0	I	Z	Z	0	VDDS	Yes	4	PU/ PD	LVCMOS
		gpio_8	4	IO								

**Table 2-1. Ball Characteristics (CBB Pkg.) (continued)**

BALL BOTTOM [1]	BALL TOP [2]	PIN NAME [3]	MODE [4]	TYPE [5]	BALL RESET STATE [6]	BALL RESET REL. STATE [7]	RESET REL. MODE [8]	POWER [9]	HYS [10]	BUFFER STRENGTH (mA) [11]	PULL U/D TYPE [12]	IO CELL [13]
		safe_mode	7									
AF22	NA	sys_off_mode	0	O	0	L	7	VDDS	Yes	4	PU/ PD	LVCMOS
		gpio_9	4	IO								
		safe_mode	7									
AG25	NA	sys_clkout1	0	O	L	L	7	VDDS	Yes	4	PU/ PD	LVCMOS
		gpio_10	4	IO								
		safe_mode	7									
AE22	NA	sys_clkout2	0	O	L	L	7	VDDS	Yes	4	PU/ PD	LVCMOS
		gpio_186	4	IO								
		safe_mode	7									
B1	NA	sys_ipmcsws	0	AI	Z	AI	NA	VDDS	NA	NA	NA	Analog
A1	NA	sys_opmcsws	0	AO	0	AO	NA	VDDS	No	NA	NA	LVCMOS
AA17	NA	jtag_nrst	0	I	L	L	0	VDDS	Yes	NA	PU/ PD	LVCMOS
AA13	NA	jtag_tck	0	I	L	L	0	VDDS	Yes	NA	PU/ PD	LVCMOS
AA12	NA	jtag_rtck	0	O	L	0	0	VDDS	Yes	4	PU/ PD	LVCMOS
AA18	NA	jtag_tms_tmse	0	IO	H	H	0	VDDS	Yes	4	PU/ PD	LVCMOS
AA20	NA	jtag_tdi	0	I	H	H	0	VDDS	Yes	NA	PU/ PD	LVCMOS
AA19	NA	jtag_tdo	0	O	L	Z	0	VDDS	Yes	4	PU/ PD	LVCMOS
AA11	NA	jtag_emu0	0	IO	H	H	0	VDDS	Yes	4	PU/ PD	LVCMOS
		gpio_11	4	IO								
		safe_mode	7									
AA10	NA	jtag_emu1	0	IO	H	H	0	VDDS	Yes	4	PU/ PD	LVCMOS
		gpio_31	4	IO								
		safe_mode	7									
AF10	NA	etk_clk	0	O	H	H	4	VDDS	Yes	4	PU/ PD	LVCMOS
		mcbsp5_clkx	1	IO								
		mmc3_clk	2	O								
		hsusb1_stp	3	O								
		gpio_12	4	IO								
		mm1_rxdp	5	IO								
hsusb1_tll_stp	6	I										
AE10	NA	etk_ctl	0	O	H	H	4	VDDS	Yes	4	PU/ PD	LVCMOS
		mmc3_cmd	2	IO								
		hsusb1_clk	3	O								
		gpio_13	4	IO								
		hsusb1_tll_clk	6	O								
AF11	NA	etk_d0	0	O	H	H	4	VDDS	Yes	4	PU/ PD	LVCMOS
		mcspi3_simo	1	IO								
		mmc3_dat4	2	IO								
		hsusb1_data0	3	IO								
		gpio_14	4	IO								
		mm1_rxcv	5	IO								
		hsusb1_tll_data0	6	IO								
AG12	NA	etk_d1	0	O	H	H	4	VDDS	Yes	4	PU/ PD	LVCMOS
		mcspi3_somi	1	IO								
		hsusb1_data1	3	IO								
		gpio_15	4	IO								
		mm1_txse0	5	IO								
		hsusb1_tll_data1	6	IO								

**PRODUCT PREVIEW**

**Table 2-1. Ball Characteristics (CBB Pkg.) (continued)**

BALL BOTTOM [1]	BALL TOP [2]	PIN NAME [3]	MODE [4]	TYPE [5]	BALL RESET STATE [6]	BALL RESET REL. STATE [7]	RESET REL. MODE [8]	POWER [9]	HYS [10]	BUFFER STRENGTH (mA) [11]	PULL U/D TYPE [12]	IO CELL [13]
AH12	NA	etk_d2	0	O	H	H	4	VDDS	Yes	4	PU/ PD	LVCMOS
		mcspi3_cs0	1	IO								
		hsusb1_data2	3	IO								
		gpio_16	4	IO								
		mm1_txdat	5	IO								
hsusb1_tll_data2	6	IO										
AE13	NA	etk_d3	0	O	H	H	4	VDDS	Yes	4	PU/ PD	LVCMOS
		mcspi3_clk	1	IO								
		mmc3_dat3	2	IO								
		hsusb1_data7	3	IO								
		gpio_17	4	IO								
hsusb1_tll_data7	6	IO										
AE11	NA	etk_d4	0	O	L	L	4	VDDS	Yes	4	PU/ PD	LVCMOS
		mcbsp5_dr	1	I								
		mmc3_dat0	2	IO								
		hsusb1_data4	3	IO								
		gpio_18	4	IO								
hsusb1_tll_data4	6	IO										
AH9	NA	etk_d5	0	O	L	L	4	VDDS	Yes	4	PU/ PD	LVCMOS
		mcbsp5_fsx	1	IO								
		mmc3_dat1	2	IO								
		hsusb1_data5	3	IO								
		gpio_19	4	IO								
hsusb1_tll_data5	6	IO										
AF13	NA	etk_d6	0	O	L	L	4	VDDS	Yes	4	PU/ PD	LVCMOS
		mcbsp5_dx	1	IO								
		mmc3_dat2	2	IO								
		hsusb1_data6	3	IO								
		gpio_20	4	IO								
hsusb1_tll_data6	6	IO										
AH14	NA	etk_d7	0	O	L	L	4	VDDS	Yes	4	PU/ PD	LVCMOS
		mcspi3_cs1	1	O								
		mmc3_dat7	2	IO								
		hsusb1_data3	3	IO								
		gpio_21	4	IO								
mm1_txen_n	5	IO										
hsusb1_tll_data3	6	IO										
AF9	NA	etk_d8	0	O	L	L	4	VDDS	Yes	4	PU/ PD	LVCMOS
		sys_drm_msecure	1	O								
		mmc3_dat6	2	IO								
		hsusb1_dir	3	I								
		gpio_22	4	IO								
hsusb1_tll_dir	6	O										
AG9	NA	etk_d9	0	O	L	L	4	VDDS	Yes	4	PU/ PD	LVCMOS
		sys_secure_indicator	1	O								
		mmc3_dat5	2	IO								
		hsusb1_nxt	3	I								
		gpio_23	4	IO								
mm1_rxdm	5	IO										
hsusb1_tll_nxt	6	O										

Table 2-1. Ball Characteristics (CBB Pkg.) (continued)

BALL BOTTOM [1]	BALL TOP [2]	PIN NAME [3]	MODE [4]	TYPE [5]	BALL RESET STATE [6]	BALL RESET REL. STATE [7]	RESET REL. MODE [8]	POWER [9]	HYS [10]	BUFFER STRENGTH (mA) [11]	PULL U/D TYPE [12]	IO CELL [13]
AE7	NA	etk_d10	0	O	L	L	4	VDDS	Yes	4	PU/ PD	LVCMOS
		uart1_rx	2	I								
		hsusb2_clk	3	O								
		gpio_24	4	IO								
		hsusb2_tll_clk	6	O								
AF7	NA	etk_d11	0	O	L	L	4	VDDS	Yes	4	PU/ PD	LVCMOS
		hsusb2_stp	3	O								
		gpio_25	4	IO								
		mm2_rxdp	5	IO								
		hsusb2_tll_stp	6	I								
AG7	NA	etk_d12	0	O	L	L	4	VDDS	Yes	4	PU/ PD	LVCMOS
		hsusb2_dir	3	I								
		gpio_26	4	IO								
		hsusb2_tll_dir	6	O								
AH7	NA	etk_d13	0	O	L	L	4	VDDS	Yes	4	PU/ PD	LVCMOS
		hsusb2_nxt	3	I								
		gpio_27	4	IO								
		mm2_rxdm	5	IO								
AG8	NA	etk_d14	0	O	L	L	4	VDDS	Yes	4	PU/ PD	LVCMOS
		hsusb2_data0	3	IO								
		gpio_28	4	IO								
		mm2_rxcv	5	IO								
		hsusb2_tll_data0	6	IO								
AH8	NA	etk_d15	0	O	L	L	4	VDDS	Yes	4	PU/ PD	LVCMOS
		hsusb2_data1	3	IO								
		gpio_29	4	IO								
		mm2_txse0	5	IO								
		hsusb2_tll_data1	6	IO								

PRODUCT PREVIEW



**Table 2-2. Ball Characteristics (CBC Pkg.)**

BALL BOTTOM [1]	BALL TOP [2]	PIN NAME [4]	MODE [5]	TYPE [6]	BALL RESET STATE [7]	BALL RESET REL. STATE [8]	RESET REL. MODE [9]	POWER [10]	HYS [11]	BUFFER STRENGTH (mA) [12]	PULLUP /DOWN TYPE [13]	IO CELL [14]
AE16	-	cam_d0	0	I	L	L	7	-	Yes	4	PU100/ PD100	LVDS/ CMOS
		-	2	IDS								
		gpio_99	4	I								
		safe_mode	7	-								
AE15	-	cam_d1	0	I	L	L	7	-	Yes	4	PU100/ PD100	LVDS/ CMOS
		-	2	IDS								
		gpio_100	4	I								
		safe_mode	7	-								
AD17	-	-	0	IDS	L	L	7	-	Yes	4	PU100/ PD100	LVDS/ CMOS
		gpio_112	4	I								
		safe_mode	7	-								
AE18	-	-	0	IDS	L	L	7	-	Yes	4	PU100/ PD100	LVDS/ CMOS
		gpio_114	4	I								
		safe_mode	7	-								
AD16	-	-	0	IDS	L	L	7	-	Yes	4	PU100/ PD100	LVDS/ CMOS
		gpio_113	4	I								
		safe_mode	7	-								
AE17	-	-	0	IDS	L	L	7	-	Yes	4	PU100/ PD100	LVDS/ CMOS
		gpio_115	4	I								
		safe_mode	7	-								
-	G20	sdrc_a0	0	O	0	0	0	vdds_io	No	4 <sup>(1)</sup>	NA	LVDS/ CMOS
-	K20	sdrc_a1	0	O	0	0	0	vdds_io	No	4 <sup>(1)</sup>	NA	LVDS/ CMOS
-	J20	sdrc_a2	0	O	0	0	0	vdds_io	No	4 <sup>(1)</sup>	NA	LVDS/ CMOS
-	J21	sdrc_a3	0	O	0	0	0	vdds_io	No	4 <sup>(1)</sup>	NA	LVDS/ CMOS
-	U21	sdrc_a4	0	O	0	0	0	vdds_io	No	4 <sup>(1)</sup>	NA	LVDS/ CMOS
-	R20	sdrc_a5	0	O	0	0	0	vdds_io	No	4 <sup>(1)</sup>	NA	LVDS/ CMOS
-	M21	sdrc_a6	0	O	0	0	0	vdds_io	No	4 <sup>(1)</sup>	NA	LVDS/ CMOS
-	M20	sdrc_a7	0	O	0	0	0	vdds_io	No	4 <sup>(1)</sup>	NA	LVDS/ CMOS
-	N20	sdrc_a8	0	O	0	0	0	vdds_io	No	4 <sup>(1)</sup>	NA	LVDS/ CMOS
-	K21	sdrc_a9	0	O	0	0	0	vdds_io	No	4 <sup>(1)</sup>	NA	LVDS/ CMOS
-	Y16	sdrc_a10	0	O	0	0	0	vdds_io	No	4 <sup>(1)</sup>	NA	LVDS/ CMOS
-	N21	sdrc_a11	0	O	0	0	0	vdds_io	No	4 <sup>(1)</sup>	NA	LVDS/ CMOS
-	R21	sdrc_a12	0	O	0	0	0	vdds_io	No	4 <sup>(1)</sup>	NA	LVDS/ CMOS
-	AA15	sdrc_a13	0	O	0	0	0	vdds_io	No	4 <sup>(1)</sup>	NA	LVDS/ CMOS
-	Y12	sdrc_a14	0	O	0	0	0	vdds_io	No	4 <sup>(1)</sup>	NA	LVDS/ CMOS
-	AA18	sdrc_ba0	0	O	0	0	0	vdds_io	No	4 <sup>(1)</sup>	NA	LVDS/ CMOS
-	V20	sdrc_ba1	0	O	0	0	0	vdds_io	No	4 <sup>(1)</sup>	NA	LVDS/ CMOS
-	Y15	sdrc_cke0	0	O	H	1	7	vdds_io	Yes	4 <sup>(1)</sup>	PU100/ PD100	LVDS/ CMOS
		safe_mode	7									
-	Y13	sdrc_cke1	0	O	H	1	7	vdds_io	Yes	4 <sup>(1)</sup>	PU100/ PD100	LVDS/ CMOS
		safe_mode	7									

(1) The drive strength is programmable vs the capacity load: load range = [2 pF to 6 pF] per default or [6 pF to 12 pF] according to the selected mode.

Table 2-2. Ball Characteristics (CBC Pkg.) (continued)

BALL BOTTOM [1]	BALL TOP [2]	PIN NAME [4]	MODE [5]	TYPE [6]	BALL RESET STATE [7]	BALL RESET REL. STATE [8]	RESET REL. MODE [9]	POWER [10]	HYS [11]	BUFFER STRENGTH (mA) [12]	PULLUP /DOWN TYPE [13]	IO CELL [14]
-	A12	sdrclk	0	IO	L	0	0	vdds_io	Yes	4 <sup>(1)</sup>	PU100/PD100	LVDS/CMOS
-	D1	sdr_d0	0	IO	L	Z	0	vdds_io	Yes	4 <sup>(1)</sup>	PU100/PD100	LVDS/CMOS
-	G1	sdr_d1	0	IO	L	Z	0	vdds_io	Yes	4 <sup>(1)</sup>	PU100/PD100	LVDS/CMOS
-	G2	sdr_d2	0	IO	L	Z	0	vdds_io	Yes	4 <sup>(1)</sup>	PU100/PD100	LVDS/CMOS
-	E1	sdr_d3	0	IO	L	Z	0	vdds_io	Yes	4 <sup>(1)</sup>	PU100/PD100	LVDS/CMOS
-	D2	sdr_d4	0	IO	L	Z	0	vdds_io	Yes	4 <sup>(1)</sup>	PU100/PD100	LVDS/CMOS
-	E2	sdr_d5	0	IO	L	Z	0	vdds_io	Yes	4 <sup>(1)</sup>	PU100/PD100	LVDS/CMOS
-	B3	sdr_d6	0	IO	L	Z	0	vdds_io	Yes	4 <sup>(1)</sup>	PU100/PD100	LVDS/CMOS
-	B4	sdr_d7	0	IO	L	Z	0	vdds_io	Yes	4 <sup>(1)</sup>	PU100/PD100	LVDS/CMOS
-	A10	sdr_d8	0	IO	L	Z	0	vdds_io	Yes	4 <sup>(1)</sup>	PU100/PD100	LVDS/CMOS
-	B11	sdr_d9	0	IO	L	Z	0	vdds_io	Yes	4 <sup>(1)</sup>	PU100/PD100	LVDS/CMOS
-	A11	sdr_d10	0	IO	L	Z	0	vdds_io	Yes	4 <sup>(1)</sup>	PU100/PD100	LVDS/CMOS
-	B12	sdr_d11	0	IO	L	Z	0	vdds_io	Yes	4 <sup>(1)</sup>	PU100/PD100	LVDS/CMOS
-	A16	sdr_d12	0	IO	L	Z	0	vdds_io	Yes	4 <sup>(1)</sup>	PU100/PD100	LVDS/CMOS
-	A17	sdr_d13	0	IO	L	Z	0	vdds_io	Yes	4 <sup>(1)</sup>	PU100/PD100	LVDS/CMOS
-	B17	sdr_d14	0	IO	L	Z	0	vdds_io	Yes	4 <sup>(1)</sup>	PU100/PD100	LVDS/CMOS
-	B18	sdr_d15	0	IO	L	Z	0	vdds_io	Yes	4 <sup>(1)</sup>	PU100/PD100	LVDS/CMOS
-	B7	sdr_d16	0	IO	L	Z	0	vdds_io	Yes	4 <sup>(1)</sup>	PU100/PD100	LVDS/CMOS
-	A5	sdr_d17	0	IO	L	Z	0	vdds_io	Yes	4 <sup>(1)</sup>	PU100/PD100	LVDS/CMOS
-	B6	sdr_d18	0	IO	L	Z	0	vdds_io	Yes	4 <sup>(1)</sup>	PU100/PD100	LVDS/CMOS
-	A6	sdr_d19	0	IO	L	Z	0	vdds_io	Yes	4 <sup>(1)</sup>	PU100/PD100	LVDS/CMOS
-	A8	sdr_d20	0	IO	L	Z	0	vdds_io	Yes	4 <sup>(1)</sup>	PU100/PD100	LVDS/CMOS
-	B9	sdr_d21	0	IO	L	Z	0	vdds_io	Yes	4 <sup>(1)</sup>	PU100/PD100	LVDS/CMOS
-	A9	sdr_d22	0	IO	L	Z	0	vdds_io	Yes	4 <sup>(1)</sup>	PU100/PD100	LVDS/CMOS
-	B10	sdr_d23	0	IO	L	Z	0	vdds_io	Yes	4 <sup>(1)</sup>	PU100/PD100	LVDS/CMOS
-	C21	sdr_d24	0	IO	L	Z	0	vdds_io	Yes	4 <sup>(1)</sup>	PU100/PD100	LVDS/CMOS
-	D20	sdr_d25	0	IO	L	Z	0	vdds_io	Yes	4 <sup>(1)</sup>	PU100/PD100	LVDS/CMOS
-	B19	sdr_d26	0	IO	L	Z	0	vdds_io	Yes	4 <sup>(1)</sup>	PU100/PD100	LVDS/CMOS
-	C20	sdr_d27	0	IO	L	Z	0	vdds_io	Yes	4 <sup>(1)</sup>	PU100/PD100	LVDS/CMOS
-	D21	sdr_d28	0	IO	L	Z	0	vdds_io	Yes	4 <sup>(1)</sup>	PU100/PD100	LVDS/CMOS
-	E20	sdr_d29	0	IO	L	Z	0	vdds_io	Yes	4 <sup>(1)</sup>	PU100/PD100	LVDS/CMOS
-	E21	sdr_d30	0	IO	L	Z	0	vdds_io	Yes	4 <sup>(1)</sup>	PU100/PD100	LVDS/CMOS

PRODUCT PREVIEW

**Table 2-2. Ball Characteristics (CBC Pkg.) (continued)**

BALL BOTTOM [1]	BALL TOP [2]	PIN NAME [4]	MODE [5]	TYPE [6]	BALL RESET STATE [7]	BALL RESET REL. STATE [8]	RESET REL. MODE [9]	POWER [10]	HYS [11]	BUFFER STRENG TH (mA) [12]	PULLUP /DOWN TYPE [13]	IO CELL [14]
-	G21	sdrdc_d31	0	IO	L	Z	0	vdds_io	Yes	4 <sup>(1)</sup>	PU100/ PD100	LVDS/ CMOS
-	H1	sdrdc_dm0	0	O	0	0	0	vdds_io	No	4 <sup>(1)</sup>	NA	LVDS/ CMOS
-	A14	sdrdc_dm1	0	O	0	0	0	vdds_io	No	4 <sup>(1)</sup>	NA	LVDS/ CMOS
-	A4	sdrdc_dm2	0	O	0	0	0	vdds_io	No	4 <sup>(1)</sup>	NA	LVDS/ CMOS
-	A18	sdrdc_dm3	0	O	0	0	0	vdds_io	No	4 <sup>(1)</sup>	NA	LVDS/ CMOS
-	C2	sdrdc_dqs0	0	IO	L	Z	0	vdds_io	Yes	4 <sup>(1)</sup>	PU100/ PD100	LVDS/ CMOS
-	B15	sdrdc_dqs1	0	IO	L	Z	0	vdds_io	Yes	4 <sup>(1)</sup>	PU100/ PD100	LVDS/ CMOS
-	B8	sdrdc_dqs2	0	IO	L	Z	0	vdds_io	Yes	4 <sup>(1)</sup>	PU100/ PD100	LVDS/ CMOS
-	A19	sdrdc_dqs3	0	IO	L	Z	0	vdds_io	Yes	4 <sup>(1)</sup>	PU100/ PD100	LVDS/ CMOS
-	U20	sdrdc_ncas	0	O	1	1	0	vdds_io	No	4 <sup>(1)</sup>	NA	LVDS/ CMOS
-	B13	sdrdc_nclk	0	O	1	1	0	vdds_io	No	4 <sup>(1)</sup>	NA	LVDS/ CMOS
-	T21	sdrdc_ncs0	0	O	1	1	0	vdds_io	No	4 <sup>(1)</sup>	NA	LVDS/ CMOS
-	T20	sdrdc_ncs1	0	O	1	1	0	vdds_io	No	4 <sup>(1)</sup>	NA	LVDS/ CMOS
-	V21	sdrdc_nras	0	O	1	1	0	vdds_io	No	4 <sup>(1)</sup>	NA	LVDS/ CMOS
-	Y18	sdrdc_nwe	0	O	1	1	0	vdds_io	No	4 <sup>(1)</sup>	NA	LVDS/ CMOS
AE21	-	dss_data0	0	IO	L	L	7	-	No	4	PU100/ PD100	LVDS/ CMOS
		-	1	ODS								
		uart1_cts	2	I								
		gpio_70	4	IO								
		safe_mode	7	-								
AE22	-	dss_data1	0	IO	L	L	7	-	No	4	PU100/ PD100	LVDS/ CMOS
		-	1	ODS								
		uart1_rts	2	O								
		gpio_71	4	IO								
		safe_mode	7	-								
AE23	-	dss_data2	0	IO	L	L	7	-	No	4	PU100/ PD100	LVDS/ CMOS
		--	1	ODS								
		gpio_72	4	IO								
		safe_mode	7	-								
AE24	-	dss_data3	0	IO	L	L	7	-	No	4	PU100/ PD100	LVDS/ CMOS
		-	1	ODS								
		gpio_73	4	IO								
		safe_mode	7	-								
AD23	-	dss_data4	0	IO	L	L	7	-	No	4	PU100/ PD100	LVDS/ CMOS
		-	1	ODS								
		uart3_rx_irrx	2	I								
		gpio_74	4	IO								
		safe_mode	7	-								
AD24	-	dss_data5	0	IO	L	L	7	-	No	4	PU100/ PD100	LVDS/ CMOS
		-	1	ODS								
		uart3_tx_irtx	2	O								
		gpio_75	4	IO								
		safe_mode	7	-								

**PRODUCT PREVIEW**

**Table 2-2. Ball Characteristics (CBC Pkg.) (continued)**

BALL BOTTOM [1]	BALL TOP [2]	PIN NAME [4]	MODE [5]	TYPE [6]	BALL RESET STATE [7]	BALL RESET REL. STATE [8]	RESET REL. MODE [9]	POWER [10]	HYS [11]	BUFFER STRENG TH (mA) [12]	PULLUP /DOWN TYPE [13]	IO CELL [14]
AC26	-	dss_data10	0	IO	L	L	7	-	NA	4	PU100/ PD100	LVDS/ CMOS
		-	1	ODS								
		gpio_80	4	IO								
		safe_mode	7	-								
AD26	-	dss_data11	0	IO	L	L	7	-	NA	4	PU100/ PD100	LVDS/ CMOS
		-	1	ODS								
		gpio_81	4	IO								
		safe_mode	7	-								
AA25	-	dss_data12	0	IO	L	L	7	-	NA	4	PU100/ PD100	LVDS/ CMOS
		-	1	ODS								
		gpio_82	4	IO								
		safe_mode	7	-								
Y25	-	dss_data13	0	IO	L	L	7	-	NA	4	PU100/ PD100	LVDS/ CMOS
		-	1	ODS								
		gpio_83	4	IO								
		safe_mode	7	-								
AA26	-	dss_data14	0	IO	L	L	7	-	NA	4	PU100/ PD100	LVDS/ CMOS
		-	1	ODS								
		gpio_84	4	IO								
		safe_mode	7	-								
AB26	-	dss_data15	0	IO	L	L	7	-	NA	4	PU100/ PD100	LVDS/ CMOS
		-	1	ODS								
		gpio_85	4	IO								
		safe_mode	7	-								
F25	-	dss_data20	0	O	H	H	7	vdds_io	Yes	4	PU100/ PD100	LVCMOS
		-	1	O								
		mcs spi3_somi	2	IO								
		dss_data2	3	IO								
		gpio_90	4	IO								
		safe_mode	7	-								
AC25	-	dss_data22	0	O	L	L	7	-	NA	4	PU100/ PD100	LVDS/ CMOS
		-	1	ODS								
		mcs spi3_cs1	2	O								
		dss_data4	3	IO								
		gpio_92	4	IO								
		safe_mode	7	-								
AB25	-	dss_data23	0	O	L	L	7	-	NA	4	PU100/ PD100	LVDS/ CMOS
		-	1	ODS								
		dss_data5	3	IO								
		gpio_93	4	IO								
		safe_mode	7	-								
G25	-	dss_pclk	0	O	H	H	7	vdds_io	Yes	4	PU100/ PD100	LVCMOS
		gpio_66	4	IO								
		hw_dbg12	5	O								
		safe_mode	7	-								
J2	-	gpmc_a1	0	O	L	L	7	vdds_io	Yes	4 <sup>(1)</sup>	PU100/ PD100	LVCMOS
		gpio_34	4	IO								
		safe_mode	7	-								
H1	-	gpmc_a2	0	O	L	L	7	vdds_io	Yes	4 <sup>(1)</sup>	PU100/ PD100	LVCMOS
		gpio_35	4	IO								
		safe_mode	7	-								
H2	-	gpmc_a3	0	O	L	L	7	vdds_io	Yes	4 <sup>(1)</sup>	PU100/ PD100	LVCMOS
		gpio_36	4	IO								

**PRODUCT PREVIEW**

**Table 2-2. Ball Characteristics (CBC Pkg.) (continued)**

BALL BOTTOM [1]	BALL TOP [2]	PIN NAME [4]	MODE [5]	TYPE [6]	BALL RESET STATE [7]	BALL RESET REL. STATE [8]	RESET REL. MODE [9]	POWER [10]	HYS [11]	BUFFER STRENGTH (mA) [12]	PULLUP /DOWN TYPE [13]	IO CELL [14]
		safe_mode	7	-								
G2	-	gpmc_a4	0	O	L	L	7	vdds_io	Yes	4 <sup>(1)</sup>	PU100/ PD100	LVCMOS
		gpio_37	4	IO								
		safe_mode	7	-								
F1	-	gpmc_a5	0	O	L	L	7	vdds_io	Yes	4 <sup>(1)</sup>	PU100/ PD100	LVCMOS
		gpio_38	4	IO								
		safe_mode	7	-								
F2	-	gpmc_a6	0	O	H	H	7	vdds_io	Yes	4 <sup>(1)</sup>	PU100/ PD100	LVCMOS
		gpio_39	4	IO								
		safe_mode	7	-								
E1	-	gpmc_a7	0	O	H	H	7	vdds_io	Yes	4 <sup>(1)</sup>	PU100/ PD100	LVCMOS
		gpio_40	4	IO								
		safe_mode	7	-								
E2	-	gpmc_a8	0	O	H	H	7	vdds_io	Yes	4 <sup>(1)</sup>	PU100/ PD100	LVCMOS
		gpio_41	4	IO								
		safe_mode	7	-								
D1	-	gpmc_a9	0	O	H	H	7	vdds_io	Yes	4 <sup>(1)</sup>	PU100/ PD100	LVCMOS
		sys_ndmareq2	1	I								
		gpio_42	4	IO								
		safe_mode	7	-								
D2	-	gpmc_a10	0	O	H	H	7	vdds_io	Yes	4 <sup>(1)</sup>	PU100/ PD100	LVCMOS
		sys_ndmareq3	1	I								
		gpio_43	4	IO								
		safe_mode	7	-								
N1	L1	gpmc_clk	0	O	L	0	0	vdds_io	Yes	4 <sup>(1)</sup>	PU100/ PD100	LVCMOS
		gpio_59	4	IO								
		safe_mode	7	-								
AA2	U2	gpmc_d0	0	IO	H	H	0	vdds_io	Yes	4 <sup>(1)</sup>	PU100/ PD100	LVCMOS
AA1	U1	gpmc_d1	0	IO	H	H	0	vdds_io	Yes	4 <sup>(1)</sup>	PU100/ PD100	LVCMOS
AC2	V2	gpmc_d2	0	IO	H	H	0	vdds_io	Yes	4 <sup>(1)</sup>	PU100/ PD100	LVCMOS
AC1	V1	gpmc_d3	0	IO	H	H	0	vdds_io	Yes	4 <sup>(1)</sup>	PU100/ PD100	LVCMOS
AE5	AA3	gpmc_d4	0	IO	H	H	0	vdds_io	Yes	4 <sup>(1)</sup>	PU100/ PD100	LVCMOS
AD6	AA4	gpmc_d5	0	IO	H	H	0	vdds_io	Yes	4 <sup>(1)</sup>	PU100/ PD100	LVCMOS
AD5	Y3	gpmc_d6	0	IO	H	H	0	vdds_io	Yes	4 <sup>(1)</sup>	PU100/ PD100	LVCMOS
AC5	Y4	gpmc_d7	0	IO	H	H	0	vdds_io	Yes	4 <sup>(1)</sup>	PU100/ PD100	LVCMOS
V1	R1	gpmc_d8	0	IO	H	H	0	vdds_io	Yes	4 <sup>(1)</sup>	PU100/ PD100	LVCMOS
		gpio_44	4	IO								
		safe_mode	7	-								
Y1	T1	gpmc_d9	0	IO	H	H	0	vdds_io	Yes	4 <sup>(1)</sup>	PU100/ PD100	LVCMOS
		gpio_45	4	IO								
		safe_mode	7	-								
T1	N1	gpmc_d10	0	IO	H	H	0	vdds_io	Yes	4 <sup>(1)</sup>	PU100/ PD100	LVCMOS
		gpio_46	4	IO								
		safe_mode	7	-								
U2	P2	gpmc_d11	0	IO	H	H	0	vdds_io	Yes	4 <sup>(1)</sup>	PU100/ PD100	LVCMOS
		gpio_47	4	IO								
		safe_mode	7	-								

Table 2-2. Ball Characteristics (CBC Pkg.) (continued)

BALL BOTTOM [1]	BALL TOP [2]	PIN NAME [4]	MODE [5]	TYPE [6]	BALL RESET STATE [7]	BALL RESET REL. STATE [8]	RESET REL. MODE [9]	POWER [10]	HYS [11]	BUFFER STRENGTH (mA) [12]	PULLUP /DOWN TYPE [13]	IO CELL [14]
U1	P1	gpmc_d12	0	IO	H	H	0	vdds_io	Yes	4 <sup>(1)</sup>	PU100/ PD100	LVC MOS
		gpio_48	4	IO								
		safe_mode	7	-								
P1	M1	gpmc_d13	0	IO	H	H	0	vdds_io	Yes	4 <sup>(1)</sup>	PU100/ PD100	LVC MOS
		gpio_49	4	IO								
		safe_mode	7	-								
L2	J2	gpmc_d14	0	IO	H	H	0	vdds_io	Yes	4 <sup>(1)</sup>	PU100/ PD100	LVC MOS
		gpio_50	4	IO								
		safe_mode	7	-								
M2	K2	gpmc_d15	0	IO	H	H	0	vdds_io	Yes	4 <sup>(1)</sup>	PU100/ PD100	LVC MOS
		gpio_51	4	IO								
		safe_mode	7	-								
AD10	AA9	gpmc_nadv_ale	0	O	0	0	0	vdds_io	No	4 <sup>(1)</sup>	NA	LVC MOS
K2	-	gpmc_nbe0_cle	0	O	L	0	0	vdds_io	Yes	4 <sup>(1)</sup>	PU100/ PD100	LVC MOS
		gpio_60	4	IO								
		safe_mode	7	-								
J1	-	gpmc_nbe1	0	O	L	L	7	vdds_io	Yes	4 <sup>(1)</sup>	PU100/ PD100	LVC MOS
		gpio_61	4	IO								
		safe_mode	7	-								
AD8	AA8	gpmc_ncs0	0	O	1	1	0	vdds_io	No	4 <sup>(1)</sup>	NA	LVC MOS
AD1	W1	gpmc_ncs1	0	O	H	1	0	vdds_io	Yes	4 <sup>(1)</sup>	PU100/ PD100	LVC MOS
		gpio_52	4	IO								
		safe_mode	7	-								
A3	-	gpmc_ncs2	0	O	H	H	7	vdds_io	Yes	4 <sup>(1)</sup>	PU100/ PD100	LVC MOS
		gpio_53	4	IO								
		safe_mode	7	-								
B6	-	gpmc_ncs3	0	O	H	H	7	vdds_io	Yes	4 <sup>(1)</sup>	PU100/ PD100	LVC MOS
		sys_ndmareq0	1	I								
		gpio_54	4	IO								
		safe_mode	7	-								
B4	-	gpmc_ncs4	0	O	H	H	7	vdds_io	Yes	4 <sup>(1)</sup>	PU100/ PD100	LVC MOS
		sys_ndmareq1	1	I								
		mcbsp4_clkx	2	IO								
		gpt9_pwm_evt	3	IO								
		gpio_55	4	IO								
		safe_mode	7	-								
C4	-	gpmc_ncs5	0	O	H	H	7	vdds_io	Yes	4 <sup>(1)</sup>	PU100/ PD100	LVC MOS
		sys_ndmareq2	1	I								
		mcbsp4_dr	2	I								
		gpt10_pwm_evt	3	IO								
		gpio_56	4	IO								
		safe_mode	7	-								
B5	-	gpmc_ncs6	0	O	H	H	7	vdds_io	Yes	4 <sup>(1)</sup>	PU100/ PD100	LVC MOS
		sys_ndmareq3	1	I								
		mcbsp4_dx	2	IO								
		gpt11_pwm_evt	3	IO								
		gpio_57	4	IO								
		safe_mode	7	-								
C5	-	gpmc_ncs7	0	O	H	H	7	vdds_io	Yes	4 <sup>(1)</sup>	PU100/ PD100	LVC MOS
		gpmc_io_dir	1	O								
		mcbsp4_fsx	2	IO								
		gpt8_pwm_evt	3	IO								
		gpio_58	4	IO								

PRODUCT PREVIEW

**Table 2-2. Ball Characteristics (CBC Pkg.) (continued)**

BALL BOTTOM [1]	BALL TOP [2]	PIN NAME [4]	MODE [5]	TYPE [6]	BALL RESET STATE [7]	BALL RESET REL. STATE [8]	RESET REL. MODE [9]	POWER [10]	HYS [11]	BUFFER STRENGTH (mA) [12]	PULLUP /DOWN TYPE [13]	IO CELL [14]
		safe_mode	7	-								
N2	L2	gpmc_noe	0	O	1	1	0	vdds_io	No	4 <sup>(1)</sup>	NA	LVC MOS
M1	K1	gpmc_nwe	0	O	1	1	0	vdds_io	No	4 <sup>(1)</sup>	NA	LVC MOS
AC6	Y5	gpmc_nwp	0	O	L	0	0	vdds_io	Yes	4 <sup>(1)</sup>	PU100/ PD100	LVC MOS
		gpio_62	4	IO								
		safe_mode	7	-								
AC11	Y10	gpmc_wait0	0	I	H	H	0	vdds_io	Yes	4 <sup>(1)</sup>	PU100/ PD100	LVC MOS
AC8	Y8	gpmc_wait1	0	I	H	H	7	vdds_io	Yes	4 <sup>(1)</sup>	PU100/ PD100	LVC MOS
		gpio_63	4	IO								
		safe_mode	7	-								
B3	-	gpmc_wait2	0	I	H	H	7	vdds_io	Yes	4 <sup>(1)</sup>	PU100/ PD100	LVC MOS
		gpio_64	4	IO								
		safe_mode	7	-								
C6	-	gpmc_wait3	0	I	H	H	7	vdds_io	Yes	4 <sup>(1)</sup>	PU100/ PD100	LVC MOS
		sys_ndmareq1	1	I								
		gpio_65	4	IO								
		safe_mode	7	-								
W19	-	hsusb0_clk	0	I	L	L	7	vdds_io	Yes	4 <sup>(2)</sup>	PU100/ PD100	LVC MOS
		gpio_120	4	IO								
		safe_mode	7	-								
V20	-	hsusb0_data0	0	IO	L	L	7	vdds_io	Yes	4 <sup>(2)</sup>	PU100/ PD100	LVC MOS
		uart3_tx_irtx	2	O								
		gpio_125	4	IO								
		safe_mode	7	-								
Y20	-	hsusb0_data1	0	IO	L	L	7	vdds_io	Yes	4 <sup>(2)</sup>	PU100/ PD100	LVC MOS
		uart3_rx_irrx	2	I								
		gpio_130	4	IO								
		safe_mode	7	-								
V18	-	hsusb0_data2	0	IO	L	L	7	vdds_io	Yes	4 <sup>(2)</sup>	PU100/ PD100	LVC MOS
		uart3_rts_sd	2	O								
		gpio_131	4	IO								
		safe_mode	7	-								
W20	-	hsusb0_data3	0	IO	L	L	7	vdds_io	Yes	4 <sup>(2)</sup>	PU100/ PD100	LVC MOS
		uart3_cts_rctx	2	IO								
		gpio_169	4	IO								
		safe_mode	7	-								
W17	-	hsusb0_data4	0	IO	L	L	7	vdds_io	Yes	4 <sup>(2)</sup>	PU100/ PD100	LVC MOS
		gpio_188	4	IO								
		safe_mode	7	-								
Y18	-	hsusb0_data5	0	IO	L	L	7	vdds_io	Yes	4 <sup>(2)</sup>	PU100/ PD100	LVC MOS
		gpio_189	4	IO								
		safe_mode	7	-								
Y19	-	hsusb0_data6	0	IO	L	L	7	vdds_io	Yes	4 <sup>(2)</sup>	PU100/ PD100	LVC MOS
		gpio_190	4	IO								
		safe_mode	7	-								
Y17	-	hsusb0_data7	0	IO	L	L	7	vdds_io	Yes	4 <sup>(2)</sup>	PU100/ PD100	LVC MOS
		gpio_191	4	IO								
		safe_mode	7	-								
V19	-	hsusb0_dir	0	I	L	L	7	vdds_io	Yes	4 <sup>(2)</sup>	PU100/ PD100	LVC MOS
		gpio_122	4	IO								
		safe_mode	7	-								

**PRODUCT PREVIEW**

(2) The capacity load range is [2 pf to 6 pf].

Table 2-2. Ball Characteristics (CBC Pkg.) (continued)

BALL BOTTOM [1]	BALL TOP [2]	PIN NAME [4]	MODE [5]	TYPE [6]	BALL RESET STATE [7]	BALL RESET REL. STATE [8]	RESET REL. MODE [9]	POWER [10]	HYS [11]	BUFFER STRENGTH (mA) [12]	PULLUP /DOWN TYPE [13]	IO CELL [14]
W18	-	hsusb0_nxt	0	I	L	L	7	vdds_io	Yes	4 <sup>(2)</sup>	PU100/PD100	LVC MOS
		gpio_124	4	IO								
		safe_mode	7	-								
U20	-	hsusb0_stp	0	O	H	H	7	vdds_io	Yes	4 <sup>(2)</sup>	PU100/PD100	LVC MOS
		gpio_121	4	IO								
		safe_mode	7	-								
U15	-	jtag_nrst	0	I	L	L	0	vdds_io	Yes	NA	PU100/PD100	LVC MOS
W13	-	jtag_rtck	0	O	L	0	0	vdds_io	Yes	4	PU100/PD100	LVC MOS
V14	-	jtag_tck	0	I	L	L	0	vdds_io	Yes	NA	PU100/PD100	LVC MOS
U16	-	jtag_tdi	0	I	H	H	0	vdds_io	Yes	NA	PU100/PD100	LVC MOS
Y13	-	jtag_tdo	0	O	L	Z	0	vdds_io	Yes	4	PU100/PD100	LVC MOS
V15	-	jtag_tms_tmsc	0	IO	H	H	0	vdds_io	Yes	4	PU100/PD100	LVC MOS
N19	-	mmc1_clk	0	O	L	L	7	vdds_mmc1	Yes	8	PU100/PD100	LVC MOS
		-	1	O								
		gpio_120	4	IO								
		safe_mode	7	-								
L18	-	mmc1_cmd	0	IO	L	L	7	vdds_mmc1	Yes	8	PU100/PD100	LVC MOS
		-	1	O								
		gpio_121	4	IO								
		safe_mode	7	-								
M19	-	mmc1_dat0	0	IO	L	L	7	vdds_mmc1	Yes	8	PU100/PD100	LVC MOS
		-	1	IO								
		gpio_122	4	IO								
		safe_mode	7	-								
M18	-	mmc1_dat1	0	IO	L	L	7	vdds_mmc1	Yes	8	PU100/PD100	LVC MOS
		-	1	IO								
		gpio_123	4	IO								
		safe_mode	7	-								
K18	-	mmc1_dat2	0	IO	L	L	7	vdds_mmc1	Yes	8	PU100/PD100	LVC MOS
		-	1	IO								
		gpio_124	4	IO								
		safe_mode	7	-								
N20	-	mmc1_dat3	0	IO	L	L	7	vdds_mmc1	Yes	8	PU100/PD100	LVC MOS
		-	1	IO								
		gpio_125	4	IO								
		safe_mode	7	-								
M20	-	mmc1_dat4	0	IO	L	L	7	vdds_mmc1a	No	8	PU/PD <sup>(3)</sup>	LVC MOS
		-	2	IO								
		gpio_126	4	IO								
		safe_mode	7	-								
P17	-	mmc1_dat5	0	IO	L	L	7	vdds_mmc1a	No	8	PU/PD <sup>(3)</sup>	LVC MOS
		-	2	O								
		gpio_127	4	IO								
		safe_mode	7	-								
P18	-	mmc1_dat6	0	IO	L	L	7	vdds_mmc1a	No	8	PU/PD <sup>(3)</sup>	LVC MOS
		-	2	O								
		gpio_128	4	IO								
		safe_mode	7	-								

(3) The PU nominal drive strength of this IO cell is equal to 25  $\mu$ A @ 1.8 V and 41.6  $\mu$ A @ 3.0 V. The PD nominal drive strength of this IO cell is equal to 1 mA @ 1.8 V and 1.66 mA @ 3.0 V.



**Table 2-2. Ball Characteristics (CBC Pkg.) (continued)**

BALL BOTTOM [1]	BALL TOP [2]	PIN NAME [4]	MODE [5]	TYPE [6]	BALL RESET STATE [7]	BALL RESET REL. STATE [8]	RESET REL. MODE [9]	POWER [10]	HYS [11]	BUFFER STRENGTH (mA) [12]	PULLUP /DOWN TYPE [13]	IO CELL [14]
P19	-	mmc1_dat7	0	IO	L	L	7	vdds_mmc1a	No	8	PU/PD <sup>(3)</sup>	LVCMOS
		-	2	O								
		gpio_129	4	IO								
		safe_mode	7	-								
J25	-	i2c1_scl	0	IOD	H	H	0	vdds_io	Yes	3	PU100/ PD100	Open Drain
J24	-	i2c1_sda	0	IOD	H	H	0	vdds_io	Yes	3	PU100/ PD100	Open Drain
C2	-	i2c2_scl	0	IOD	H	H	7	vdds_io	Yes	3	PU100/ PD100	LVCMOS Open Drain
		gpio_168	4	IO						4		
		safe_mode	7	-						4		
C1	-	i2c2_sda	0	IOD	H	H	7	vdds_io	Yes	3	PU100/ PD100	LVCMOS Open Drain
		gpio_183	4	IO						4		
		safe_mode	7	-						4		
AB4	-	i2c3_scl	0	IOD	H	H	7	vdds_io	Yes	3	PU100/ PD100	LVCMOS Open Drain
		gpio_184	4	IO						4		
		safe_mode	7	-						4		
AC4	-	i2c3_sda	0	IOD	H	H	7	vdds_io	Yes	3	PU100/ PD100	LVCMOS Open Drain
		gpio_185	4	IO						4		
		safe_mode	7	-						4		
U19	-	mcbasp1_clkr	0	IO	L	L	7	vdds_io	Yes	4 <sup>(2)</sup>	PU100/ PD100	LVCMOS
		mcspl4_clk	1	IO								
		-	2	I								
		gpio_156	4	IO								
T17	-	mcbasp1_clkx	0	IO	L	L	7	vdds_io	Yes	4 <sup>(2)</sup>	PU100/ PD100	LVCMOS
		mcbasp3_clkx	2	IO								
		gpio_162	4	IO								
		safe_mode	7	-								
T20	-	mcbasp1_dr	0	I	L	L	7	vdds_io	Yes	4 <sup>(2)</sup>	PU100/ PD100	LVCMOS
		mcspl4_somi	1	IO								
		mcbasp3_dr	2	I								
		gpio_159	4	IO								
U17	-	mcbasp1_dx	0	IO	L	L	7	vdds_io	Yes	4 <sup>(2)</sup>	PU100/ PD100	LVCMOS
		mcspl4_simo	1	IO								
		mcbasp3_dx	2	IO								
		gpio_158	4	IO								
V17	-	mcbasp1_fsr	0	IO	L	L	7	vdds_io	Yes	4 <sup>(2)</sup>	PU100/ PD100	LVCMOS
		-	1	I								
		cam_global_reset	2	IO								
		gpio_157	4	IO								
P20	-	mcbasp1_fsx	0	IO	L	L	7	vdds_io	Yes	4 <sup>(2)</sup>	PU100/ PD100	LVCMOS
		mcspl4_cs0	1	IO								
		mcbasp3_fsx	2	IO								
		gpio_161	4	IO								
R18	-	mcbasp2_clkx	0	IO	L	L	7	vdds_io	Yes	4 <sup>(4)</sup>	PU100/ PD100	LVCMOS
		gpio_117	4	IO								
		safe_mode	7	-								

(4) The buffer strength of this IO cell is programmable (2, 4, 6, or 8 mA) according to the selected mode; the default value is described in the above table.

**PRODUCT PREVIEW**

Table 2-2. Ball Characteristics (CBC Pkg.) (continued)

BALL BOTTOM [1]	BALL TOP [2]	PIN NAME [4]	MODE [5]	TYPE [6]	BALL RESET STATE [7]	BALL RESET REL. STATE [8]	RESET REL. MODE [9]	POWER [10]	HYS [11]	BUFFER STRENGTH (mA) [12]	PULLUP /DOWN TYPE [13]	IO CELL [14]
T18	-	mcbasp2_dr	0	I	L	L	7	vdds_io	Yes	4 <sup>(4)</sup>	PU100/ PD100	LVCMOS
		gpio_118	4	IO								
		safe_mode	7	-								
R19	-	mcbasp2_dx	0	IO	L	L	7	vdds_io	Yes	4 <sup>(4)</sup>	PU100/ PD100	LVCMOS
		gpio_119	4	IO								
		safe_mode	7	-								
U18	-	mcbasp2_fsx	0	IO	L	L	7	vdds_io	Yes	4 <sup>(4)</sup>	PU100/ PD100	LVCMOS
		gpio_116	4	IO								
		safe_mode	7	-								
P9	-	mcspi1_clk	0	IO	L	L	7	vdds_io	Yes	4 <sup>(4)</sup>	PU100/ PD100	LVCMOS
		mmc2_dat4	1	IO								
		gpio_171	4	IO								
		safe_mode	7	-								
R7	-	mcspi1_cs0	0	IO	H	H	7	vdds_io	Yes	4 <sup>(4)</sup>	PU100/ PD100	LVCMOS
		mmc2_dat7	1	IO								
		gpio_174	4	IO								
		safe_mode	7	-								
R9	-	mcspi1_cs2	0	O	H	H	7	vdds_io	Yes	4 <sup>(4)</sup>	PU100/ PD100	LVCMOS
		mmc3_clk	3	O								
		gpio_176	4	IO								
		safe_mode	7	-								
P8	-	mcspi1_simo	0	IO	L	L	7	vdds_io	Yes	4 <sup>(4)</sup>	PU100/ PD100	LVCMOS
		mmc2_dat5	1	IO								
		gpio_172	4	IO								
		safe_mode	7	-								
P7	-	mcspi1_somi	0	IO	L	L	7	vdds_io	Yes	4 <sup>(4)</sup>	PU100/ PD100	LVCMOS
		mmc2_dat6	1	IO								
		gpio_173	4	IO								
		safe_mode	7	-								
W7	-	mcspi2_clk	0	IO	L	L	7	vdds_io	Yes	4 <sup>(2)</sup>	PU100/ PD100	LVCMOS
		hsusb2_tll_data7	2	IO								
		hsusb2_data7	3	O								
		gpio_178	4	IO								
		safe_mode	7	-								
V8	-	mcspi2_cs0	0	IO	H	H	7	vdds_io	Yes	4 <sup>(2)</sup>	PU100/ PD100	LVCMOS
		gpt11_pwm_evt	1	IO								
		hsusb2_tll_data6	2	IO								
		hsusb2_data6	3	O								
		gpio_181	4	IO								
		safe_mode	7	-								
W8	-	mcspi2_simo	0	IO	L	L	7	vdds_io	Yes	4 <sup>(2)</sup>	PU100/ PD100	LVCMOS
		gpt9_pwm_evt	1	IO								
		hsusb2_tll_data4	2	IO								
		hsusb2_data4	3	I								
		gpio_179	4	IO								
		safe_mode	7	-								
U8	-	mcspi2_somi	0	IO	L	L	7	vdds_io	Yes	4 <sup>(2)</sup>	PU100/ PD100	LVCMOS
		gpt10_pwm_evt	1	IO								
		hsusb2_tll_data5	2	IO								
		hsusb2_data5	3	O								
		gpio_180	4	IO								
		safe_mode	7	-								

PRODUCT PREVIEW

**Table 2-2. Ball Characteristics (CBC Pkg.) (continued)**

BALL BOTTOM [1]	BALL TOP [2]	PIN NAME [4]	MODE [5]	TYPE [6]	BALL RESET STATE [7]	BALL RESET REL. STATE [8]	RESET REL. MODE [9]	POWER [10]	HYS [11]	BUFFER STRENGTH (mA) [12]	PULLUP /DOWN TYPE [13]	IO CELL [14]
W10	-	mmc2_clk	0	O	L	L	7	vdds_io	Yes	4 <sup>(2)</sup>	PU100/ PD100	LVCMOS
		mcspi3_clk	1	IO								
		gpio_130	4	IO								
		safe_mode	7	-								
R10	-	mmc2_cmd	0	IO	H	H	7	vdds_io	Yes	4 <sup>(2)</sup>	PU100/ PD100	LVCMOS
		mcspi3_simo	1	IO								
		gpio_131	4	IO								
		safe_mode	7	-								
T10	-	mmc2_dat0	0	IO	H	H	7	vdds_io	Yes	4 <sup>(2)</sup>	PU100/ PD100	LVCMOS
		mcspi3_somi	1	IO								
		gpio_132	4	IO								
		safe_mode	7	-								
T9	-	mmc2_dat1	0	IO	H	H	7	vdds_io	Yes	4 <sup>(2)</sup>	PU100/ PD100	LVCMOS
		gpio_133	4	IO								
		safe_mode	7	-								
U10	-	mmc2_dat2	0	IO	H	H	7	vdds_io	Yes	4 <sup>(2)</sup>	PU100/ PD100	LVCMOS
		mcspi3_cs1	1	O								
		gpio_134	4	IO								
		safe_mode	7	-								
U9	-	mmc2_dat3	0	IO	H	H	7	vdds_io	Yes	4 <sup>(2)</sup>	PU100/ PD100	LVCMOS
		mcspi3_cs0	1	IO								
		gpio_135	4	IO								
		safe_mode	7	-								
V10	-	mmc2_dat4	0	IO	L	L	7	vdds_io	Yes	4 <sup>(2)</sup>	PU100/ PD100	LVCMOS
		mmc2_dir_dat0	1	O								
		mmc3_dat0	3	IO								
		gpio_136	4	IO								
		safe_mode	7	-								
R2	-	uart1_rts	0	O	L	L	7	vdds_io	Yes	4 <sup>(2)</sup>	PU100/ PD100	LVCMOS
		-	1	O								
		gpio_149	4	IO								
		safe_mode	7	-								
H3	-	uart1_rx	0	I	L	L	7	vdds_io	Yes	4 <sup>(2)</sup>	PU100/ PD100	LVCMOS
		mcbsp1_clkr	2	IO								
		mcspi4_clk	3	IO								
		gpio_151	4	IO								
		safe_mode	7	-								
L4	-	uart1_tx	0	O	L	L	7	vdds_io	Yes	4 <sup>(2)</sup>	PU100/ PD100	LVCMOS
		-	1	O								
		gpio_148	4	IO								
		safe_mode	7	-								
Y24	-	uart2_cts	0	I	H	H	7	vdds_io	Yes	4	PU100/ PD100	LVCMOS
		mcbsp3_dx	1	IO								
		gpt9_pwm_evt	2	IO								
		gpio_144	4	IO								
		safe_mode	7	-								
AA24	-	uart2_rts	0	O	H	H	7	vdds_io	Yes	4	PU100/ PD100	LVCMOS
		mcbsp3_dr	1	I								
		gpt10_pwm_evt	2	IO								
		gpio_145	4	IO								
		safe_mode	7	-								
AD21	-	uart2_rx	0	I	H	H	7	vdds_io	Yes	4	PU100/ PD100	LVCMOS
		mcbsp3_fsx	1	IO								

**PRODUCT PREVIEW**

Table 2-2. Ball Characteristics (CBC Pkg.) (continued)

BALL BOTTOM [1]	BALL TOP [2]	PIN NAME [4]	MODE [5]	TYPE [6]	BALL RESET STATE [7]	BALL RESET REL. STATE [8]	RESET REL. MODE [9]	POWER [10]	HYS [11]	BUFFER STRENGTH (mA) [12]	PULLUP /DOWN TYPE [13]	IO CELL [14]
		gpt8_pwm_evt	2	IO								
		gpio_147	4	IO								
		safe_mode	7	-								
AD22	-	uart2_tx	0	O	H	H	7	vdds_io	Yes	4	PU100/ PD100	LVCMOS
		mcbsp3_clkx	1	IO								
		gpt11_pwm_evt	2	IO								
		gpio_146	4	IO								
		safe_mode	7	-								
F23	-	uart3_cts_rctx	0	IO	H	H	7	vdds_io	Yes	4	PU100/ PD100	LVCMOS
		gpio_163	4	IO								
		safe_mode	7	-								
F24	-	uart3_rts_sd	0	O	H	H	7	vdds_io	Yes	4	PU100/ PD100	LVCMOS
		gpio_164	4	IO								
		safe_mode	7	-								
H24	-	uart3_rx_irrx	0	I	H	H	7	vdds_io	Yes	4	PU100/ PD100	LVCMOS
		gpio_165	4	IO								
		safe_mode	7	-								
G24	-	uart3_tx_irtx	0	O	H	H	7	vdds_io	Yes	4	PU100/ PD100	LVCMOS
		gpio_166	4	IO								
		safe_mode	7	-								
J23	-	hdq_sio	0	IOD	H	H	7	vdds_io	Yes	4	PU100/ PD100	LVCMOS Open Drain
		sys_altclk	1	I								
		i2c2_sccbe	2	O								
		i2c3_sccbe	3	O								
		gpio_170	4	IO								
		safe_mode	7	-								
AD15	-	i2c4_scl	0	IOD	H	H	0	vdds_io	Yes	3	PU100/ PD100	LVCMOS Open Drain
		sys_nvmode1	1	O						4		
		safe_mode	7	-						4		
W16	-	i2c4_sda	0	IOD	H	H	0	vdds_io	Yes	3	PU100/ PD100	LVCMOS Open Drain
		sys_nvmode2	1	O						4		
		safe_mode	7	-						4		
K4	-	sad2d_clk26mi	0	O	L	0 (PD)	0	vdds_io	Yes	4	PU100/ PD100	LVCMOS
F3	-	sys_boot0	0	I	Z	Z	0	vdds_io	Yes	4	PU100/ PD100	LVCMOS
		gpio_2	4	IO								
		safe_mode	7	-								
D3	-	sys_boot1	0	I	Z	Z	0	vdds_io	Yes	4	PU100/ PD100	LVCMOS
		gpio_3	4	IO								
		safe_mode	7	-								
C3	-	sys_boot2	0	I	Z	Z	0	vdds_io	Yes	4	PU100/ PD100	LVCMOS
		gpio_4	4	IO								
		safe_mode	7	-								
E3	-	sys_boot3	0	I	Z	Z	0	vdds_io	Yes	4	PU100/ PD100	LVCMOS
		gpio_5	4	IO								
		safe_mode	7	-								
E4	-	sys_boot4	0	I	Z	Z	0	vdds_io	Yes	4	PU100/ PD100	LVCMOS
		mmc2_dir_dat2	1	O								
		gpio_6	4	IO								
		safe_mode	7	-								
G3	-	sys_boot5	0	I	Z	Z	0	vdds_io	Yes	4	PU100/ PD100	LVCMOS
		mmc2_dir_dat3	1	O								
		gpio_7	4	IO								

PRODUCT PREVIEW

**Table 2-2. Ball Characteristics (CBC Pkg.) (continued)**

BALL BOTTOM [1]	BALL TOP [2]	PIN NAME [4]	MODE [5]	TYPE [6]	BALL RESET STATE [7]	BALL RESET REL. STATE [8]	RESET REL. MODE [9]	POWER [10]	HYS [11]	BUFFER STRENGTH (mA) [12]	PULLUP /DOWN TYPE [13]	IO CELL [14]
		safe_mode	7	-								
D4	-	sys_boot6	0	I	Z	Z	0	vdds_io	Yes	4	PU100/PD100	LVC MOS
		gpio_8	4	IO								
		safe_mode	7	-								
AE14	-	sys_clkout1	0	O	L	L	7	vdds_io	Yes	4	PU100/PD100	LVC MOS
		gpio_10	4	IO								
		safe_mode	7	-								
W11	-	sys_clkout2	0	O	L	L	7	vdds_io	Yes	4 <sup>(2)</sup>	PU100/PD100	LVC MOS
		gpio_186	4	IO								
		safe_mode	7	-								
W15	-	sys_clkreq	0	IO	0	1	0	vdds_io	Yes	4	PU100/PD100	LVC MOS
		gpio_1	4	IO								
		safe_mode	7	-								
V16	-	sys_nirq	0	I	H	H	7	vdds_io	Yes	4	PU100/PD100	LVC MOS
		gpio_0	4	IO								
		safe_mode	7	-								
V13	-	sys_nrespwron	0	I	Z	I	NA	vdds_io	Yes	NA	NA	LVC MOS
AD7	AA5	sys_nreswarm	0	IOD	0	1 (PU)	0	vdds_io	Yes	4	PU100/PD100	LVC MOS Open Drain
		gpio_30	4	IO								
		safe_mode	7	-								
V12	-	sys_off_mode	0	O	0	L	7	vdds_io	Yes	4	PU100/PD100	LVC MOS
		gpio_9	4	IO								
		safe_mode	7	-								
AF19	-	sys_xtalin	0	I	Z	I	NA	vdds_io	Yes	NA	NA	LVC MOS
AF20	-	sys_xtalout	0	O	Z	O	NA	vdds_io	Yes	NA	NA	LVC MOS
B1	-	sys_ipmcsws	0	AI	Z	NA	NA	vdds_io	No	NA	NA	Analog
A2	-	sys_opmcsws	0	AO	0	NA	NA	vdds_io	No	NA	NA	Analog
W26	-	tv_out1	0	AO	Z	0	0	vdda_dac	No	8	NA	10-bit DAC
V26	-	tv_out2	0	AO	Z	0	0	vdda_dac	No	8	NA	10-bit DAC
W25	-	tv_vfb1	0	O	Z	NA	0	vdda_dac	No	2	NA	10-bit DAC
U24	-	tv_vfb2	0	O	Z	NA	0	vdda_dac	No	2	NA	10-bit DAC
V23	-	tv_vref	0	I	Z	NA	0	vdda_dac	No	NA	NA	10-bit DAC
AE20	-	sys_32k	0	I	Z	I	NA	vdds_io	Yes	NA	NA	LVC MOS
A24	-	cam_d2	0	I	L	L	7	vdds_io	Yes	4 <sup>(2)</sup>	PU100/PD100	LVC MOS
		-	1	I								
		gpio_101	4	IO								
		hw_dbg4	5	O								
		safe_mode	7	-								
B24	-	cam_d3	0	I	L	L	7	vdds_io	Yes	4 <sup>(2)</sup>	PU100/PD100	LVC MOS
		-	1	I								
		gpio_102	4	IO								
		hw_dbg5	5	O								
		safe_mode	7	-								
D24	-	cam_d4	0	I	L	L	7	vdds_io	Yes	4 <sup>(2)</sup>	PU100/PD100	LVC MOS
		-	1	I								
		gpio_103	4	IO								
		hw_dbg6	5	O								
		safe_mode	7	-								
C24	-	cam_d5	0	I	L	L	7	vdds_io	Yes	4 <sup>(2)</sup>	PU100/PD100	LVC MOS
		-	1	O								
		gpio_104	4	IO								
		hw_dbg7	5	O								
		safe_mode	7	-								

Table 2-2. Ball Characteristics (CBC Pkg.) (continued)

BALL BOTTOM [1]	BALL TOP [2]	PIN NAME [4]	MODE [5]	TYPE [6]	BALL RESET STATE [7]	BALL RESET REL. STATE [8]	RESET REL. MODE [9]	POWER [10]	HYS [11]	BUFFER STRENGTH (mA) [12]	PULLUP /DOWN TYPE [13]	IO CELL [14]
D25	-	cam_d10	0	I	L	L	7	vdds_io	Yes	4 <sup>(2)</sup>	PU100/PD100	LVCMOS
		-	1	O								
		gpio_109	4	IO								
		hw_dbg8	5	O								
E26	-	safe_mode	7	-	L	L	7	vdds_io	Yes	4 <sup>(2)</sup>	PU100/PD100	LVCMOS
		cam_d11	0	I								
		gpio_110	4	IO								
		hw_dbg9	5	O								
B23	-	safe_mode	7	-	L	L	7	vdds_io	Yes	4 <sup>(2)</sup>	PU100/PD100	LVCMOS
		cam_fid	0	IO								
		cam_global_reset	2	IO								
		gpio_98	4	IO								
		hw_dbg3	5	O								
C23	-	safe_mode	7	-	L	L	7	vdds_io	Yes	4 <sup>(2)</sup>	PU100/PD100	LVCMOS
		cam_hs	0	IO								
		-	1	O								
		gpio_94	4	IO								
		hw_dbg0	5	O								
C26	-	safe_mode	7	-	L	L	7	vdds_io	Yes	4 <sup>(2)</sup>	PU100/PD100	LVCMOS
		cam_pclk	0	I								
		gpio_97	4	IO								
		hw_dbg2	5	O								
D26	-	safe_mode	7	-	L	L	7	vdds_io	Yes	4 <sup>(2)</sup>	PU100/PD100	LVCMOS
		cam_strobe	0	O								
		gpio_126	4	IO								
		hw_dbg11	5	O								
C25	-	safe_mode	7	-	L	L	7	vdds_io	Yes	4 <sup>(2)</sup>	PU100/PD100	LVCMOS
		cam_xclka	0	O								
		gpio_96	4	IO								
E25	-	safe_mode	7	-	L	L	7	vdds_io	Yes	4 <sup>(2)</sup>	PU100/PD100	LVCMOS
		cam_xclkb	0	O								
		gpio_111	4	IO								
P25	-	safe_mode	7	-	L	L	7	vdds_csib	NA	4	PU100/PD100	SubLVDS
		cam_d6	0	I								
		gpio_105	4	IO								
P26	-	safe_mode	7	-	L	L	7	vdds_csib	NA	4	PU100/PD100	SubLVDS
		cam_d7	0	I								
		gpio_106	4	IO								
N25	-	safe_mode	7	-	L	L	7	vdds_csib	NA	4	PU100/PD100	SubLVDS
		cam_d8	0	I								
		gpio_107	4	IO								
N26	-	safe_mode	7	-	L	L	7	vdds_csib	NA	4	PU100/PD100	SubLVDS
		cam_d9	0	I								
		gpio_108	4	IO								
D23	-	safe_mode	7	-	L	L	7	vdds_io	Yes	4 <sup>(2)</sup>	PU100/PD100	LVCMOS
		cam_vs	0	IO								
		-	1	O								
		gpio_95	4	IO								
		hw_dbg1	5	O								

PRODUCT PREVIEW

**Table 2-2. Ball Characteristics (CBC Pkg.) (continued)**

BALL BOTTOM [1]	BALL TOP [2]	PIN NAME [4]	MODE [5]	TYPE [6]	BALL RESET STATE [7]	BALL RESET REL. STATE [8]	RESET REL. MODE [9]	POWER [10]	HYS [11]	BUFFER STRENGTH (mA) [12]	PULLUP /DOWN TYPE [13]	IO CELL [14]
A23	-	cam_wen	0	I	L	L	7	vdds_io	Yes	4 <sup>(2)</sup>	PU100/ PD100	LVCMOS
		cam_shutter	2	O								
		gpio_167	4	IO								
		hw_dbg10	5	O								
		safe_mode	7	-								
F26	-	dss_acbias	0	O	L	L	7	vdds_io	Yes	8	PU100/ PD100	LVCMOS
		gpio_69	4	IO								
		safe_mode	7	-								
G26	-	dss_data6	0	IO	L	L	7	vdds_io	Yes	8	PU100/ PD100	LVCMOS
		uart1_tx	2	O								
		gpio_76	4	IO								
		hw_dbg14	5	O								
		safe_mode	7	-								
H25	-	dss_data7	0	IO	L	L	7	vdds_io	Yes	8	PU100/ PD100	LVCMOS
		uart1_rx	2	I								
		gpio_77	4	IO								
		hw_dbg15	5	O								
		safe_mode	7	-								
H26	-	dss_data8	0	IO	L	L	7	vdds_io	Yes	8	PU100/ PD100	LVCMOS
		gpio_78	4	IO								
		hw_dbg16	5	O								
		safe_mode	7	-								
J26	-	dss_data9	0	IO	L	L	7	vdds_io	Yes	8	PU100/ PD100	LVCMOS
		gpio_79	4	IO								
		hw_dbg17	5	O								
		safe_mode	7	-								
L25	-	dss_data16	0	IO	L	L	7	vdds_io	Yes	8	PU100/ PD100	LVCMOS
		gpio_86	4	IO								
		safe_mode	7	-								
L26	-	dss_data17	0	IO	L	L	7	vdds_io	Yes	8	PU100/ PD100	LVCMOS
		gpio_87	4	IO								
		safe_mode	7	-								
M24	-	dss_data18	0	IO	L	L	7	vdds_io	Yes	8	PU100/ PD100	LVCMOS
		-	1	O								
		mcspi3_clk	2	IO								
		dss_data0	3	IO								
		gpio_88	4	IO								
		safe_mode	7	-								
M26	-	dss_data19	0	IO	L	L	7	vdds_io	Yes	8	PU100/ PD100	LVCMOS
		-	1	O								
		mcspi3_simo	2	IO								
		dss_data1	3	IO								
		gpio_89	4	IO								
		safe_mode	7	-								
N24	-	dss_data21	0	O	L	L	7	vdds_io	Yes	8	PU100/ PD100	LVCMOS
		-	1	O								
		mcspi3_cs0	2	IO								
		dss_data3	3	IO								
		gpio_91	4	IO								
		safe_mode	7	-								

**PRODUCT PREVIEW**

Table 2-2. Ball Characteristics (CBC Pkg.) (continued)

BALL BOTTOM [1]	BALL TOP [2]	PIN NAME [4]	MODE [5]	TYPE [6]	BALL RESET STATE [7]	BALL RESET REL. STATE [8]	RESET REL. MODE [9]	POWER [10]	HYS [11]	BUFFER STRENGTH (mA) [12]	PULLUP /DOWN TYPE [13]	IO CELL [14]
K24	-	dss_hsync	0	O	H	H	7	vdds_io	Yes	4	PU100/PD100	LVCMOS
		gpio_67	4	IO								
		hw_dbg13	5	O								
		safe_mode	7	-								
M25	-	dss_vsync	0	O	H	H	7	vdds_io	Yes	4	PU100/PD100	LVCMOS
		gpio_68	4	IO								
		safe_mode	7	-								
R8	-	mcspi1_cs1	0	O	H	H	7	vdds_io	Yes	4 <sup>(4)</sup>	PU100/PD100	LVCMOS
		-	1	I								
		mmc3_cmd	3	IO								
		gpio_175	4	IO								
		safe_mode	7	-								
T8	-	mcspi1_cs3	0	O	H	H	7	vdds_io	Yes	4 <sup>(2)</sup>	PU100/PD100	LVCMOS
		hsusb2_tll_data2	2	IO								
		hsusb2_data2	3	IO								
		gpio_177	4	IO								
		mm2_txdatt	5	IO								
		safe_mode	7	-								
V9	-	mcspi2_cs1	0	O	L	L	7	vdds_io	Yes	4 <sup>(2)</sup>	PU100/PD100	LVCMOS
		gpt8_pwm_evt	1	IO								
		hsusb2_tll_data3	2	IO								
		hsusb2_data3	3	IO								
		gpio_182	4	IO								
		mm2_txen_n	5	IO								
		safe_mode	7	-								
T19	-	mcbasp_clks	0	I	L	L	7	vdds_io	Yes	4 <sup>(2)</sup>	PU100/PD100	LVCMOS
		cam_shutter	2	O								
		gpio_160	4	IO								
		uart1_cts	5	I								
		safe_mode	7	-								
AB2	-	etk_clk	0	O	H	H	4	vdds_io	Yes	4 <sup>(2)</sup>	PU100/PD100	LVCMOS
		mcbasp5_clkx	1	IO								
		mmc3_clk	2	O								
		hsusb1_stp	3	O								
		gpio_12	4	IO								
		mm1_rxdp	5	IO								
		hsusb1_tll_stp	6	I								
		hw_dbg0	7	O								
AB3	-	etk_ctl	0	O	H	H	4	vdds_io	Yes	4 <sup>(2)</sup>	PU100/PD100	LVCMOS
		mmc3_cmd	2	IO								
		hsusb1_clk	3	O								
		gpio_13	4	IO								
		hsusb1_tll_clk	6	O								
		hw_dbg1	7	O								
AC3	-	etk_d0	0	O	H	H	4	vdds_io	Yes	4 <sup>(2)</sup>	PU100/PD100	LVCMOS
		mcspi3_simo	1	IO								
		mmc3_dat4	2	IO								
		hsusb1_data0	3	IO								
		gpio_14	4	IO								
		mm1_rxcv	5	IO								
		hsusb1_tll_data0	6	IO								
		hw_dbg2	7	O								

PRODUCT PREVIEW



**Table 2-2. Ball Characteristics (CBC Pkg.) (continued)**

BALL BOTTOM [1]	BALL TOP [2]	PIN NAME [4]	MODE [5]	TYPE [6]	BALL RESET STATE [7]	BALL RESET REL. STATE [8]	RESET REL. MODE [9]	POWER [10]	HYS [11]	BUFFER STRENGTH (mA) [12]	PULLUP /DOWN TYPE [13]	IO CELL [14]
AD4	-	etk_d1	0	O	H	H	4	vdds_io	Yes	4 <sup>(2)</sup>	PU100/ PD100	LVCMOS
		mcspi3_somi	1	IO								
		hsusb1_data1	3	IO								
		gpio_15	4	IO								
		mm1_txse0	5	IO								
		hsusb1_tll_data1	6	IO								
		hw_dbg3	7	O								
AD3	-	etk_d2	0	O	H	H	4	vdds_io	Yes	4 <sup>(2)</sup>	PU100/ PD100	LVCMOS
		mcspi3_cs0	1	IO								
		hsusb1_data2	3	IO								
		gpio_16	4	IO								
		mm1_txdat	5	IO								
		hsusb1_tll_data2	6	IO								
		hw_dbg4	7	O								
AA3	-	etk_d3	0	O	H	H	4	vdds_io	Yes	4 <sup>(2)</sup>	PU100/ PD100	LVCMOS
		mcspi3_clk	1	IO								
		mmc3_dat3	2	IO								
		hsusb1_data7	3	IO								
		gpio_17	4	IO								
		hsusb1_tll_data7	6	IO								
		hw_dbg5	7	O								
Y3	-	etk_d4	0	O	L	L	4	vdds_io	Yes	4 <sup>(2)</sup>	PU100/ PD100	LVCMOS
		mcbasp5_dr	1	I								
		mmc3_dat0	2	IO								
		hsusb1_data4	3	IO								
		gpio_18	4	IO								
		hsusb1_tll_data4	6	IO								
		hw_dbg6	7	O								
AB1	-	etk_d5	0	O	L	L	4	vdds_io	Yes	4 <sup>(2)</sup>	PU100/ PD100	LVCMOS
		mcbasp5_fsx	1	IO								
		mmc3_dat1	2	IO								
		hsusb1_data5	3	IO								
		gpio_19	4	IO								
		hsusb1_tll_data5	6	IO								
		hw_dbg7	7	O								
AE3	-	etk_d6	0	O	L	L	4	vdds_io	Yes	4 <sup>(2)</sup>	PU100/ PD100	LVCMOS
		mcbasp5_dx	1	IO								
		mmc3_dat2	2	IO								
		hsusb1_data6	3	IO								
		gpio_20	4	IO								
		hsusb1_tll_data6	6	IO								
		hw_dbg8	7	O								
AD2	-	etk_d7	0	O	L	L	4	vdds_io	Yes	4 <sup>(2)</sup>	PU100/ PD100	LVCMOS
		mcspi3_cs1	1	O								
		mmc3_dat7	2	IO								
		hsusb1_data3	3	IO								
		gpio_21	4	IO								
		mm1_txen_n	5	IO								
		hsusb1_tll_data3	6	IO								
hw_dbg9	7	O										
AA4	-	etk_d8	0	O	L	L	4	vdds_io	Yes	4 <sup>(2)</sup>	PU100/ PD100	LVCMOS
		sys_drm_msecure	1	O								
		mmc3_dat6	2	IO								

Table 2-2. Ball Characteristics (CBC Pkg.) (continued)

BALL BOTTOM [1]	BALL TOP [2]	PIN NAME [4]	MODE [5]	TYPE [6]	BALL RESET STATE [7]	BALL RESET REL. STATE [8]	RESET REL. MODE [9]	POWER [10]	HYS [11]	BUFFER STRENGTH (mA) [12]	PULLUP /DOWN TYPE [13]	IO CELL [14]
		hsusb1_dir	3	I								
		gpio_22	4	IO								
		hsusb1_tll_dir	6	O								
		hw_dbg10	7	O								
V2	-	etk_d9	0	O	L	L	4	vdds_io	Yes	4 <sup>(2)</sup>	PU100/ PD100	LVC MOS
		sys_secure_indicator	1	O								
		mmc3_dat5	2	IO								
		hsusb1_nxt	3	I								
		gpio_23	4	IO								
		mm1_rxdm	5	IO								
		hsusb1_tll_nxt	6	O								
		hw_dbg11	7	O								
AE4	-	etk_d10	0	O	L	L	4	vdds_io	Yes	4 <sup>(2)</sup>	PU100/ PD100	LVC MOS
		uart1_rx	2	I								
		hsusb2_clk	3	O								
		gpio_24	4	IO								
		hsusb2_tll_clk	6	O								
		hw_dbg12	7	O								
AF6	-	etk_d11	0	O	L	L	4	vdds_io	Yes	4 <sup>(2)</sup>	PU100/ PD100	LVC MOS
		hsusb2_stp	3	O								
		gpio_25	4	IO								
		mm2_rxdp	5	IO								
		hsusb2_tll_stp	6	I								
		hw_dbg13	7	O								
AE6	-	etk_d12	0	O	L	L	4	vdds_io	Yes	4 <sup>(2)</sup>	PU100/ PD100	LVC MOS
		hsusb2_dir	3	I								
		gpio_26	4	IO								
		hsusb2_tll_dir	6	O								
		hw_dbg14	7	O								
AF7	-	etk_d13	0	O	L	L	4	vdds_io	Yes	4 <sup>(2)</sup>	PU100/ PD100	LVC MOS
		hsusb2_nxt	3	I								
		gpio_27	4	IO								
		mm2_rxdm	5	IO								
		hsusb2_tll_nxt	6	O								
		hw_dbg15	7	O								
AF9	-	etk_d14	0	O	L	L	4	vdds_io	Yes	4 <sup>(2)</sup>	PU100/ PD100	LVC MOS
		hsusb2_data0	3	IO								
		gpio_28	4	IO								
		mm2_rxcv	5	IO								
		hsusb2_tll_data0	6	IO								
		hw_dbg16	7	O								
AE9	-	etk_d15	0	O	L	L	4	vdds_io	Yes	4 <sup>(2)</sup>	PU100/ PD100	LVC MOS
		hsusb2_data1	3	IO								
		gpio_29	4	IO								
		mm2_txse0	5	IO								
		hsusb2_tll_data1	6	IO								
		hw_dbg17	7	O								
Y15	-	jtag_emu0	0	IO	H	H	0	vdds_io	Yes	4	PU100/ PD100	LVC MOS
		gpio_11	4	IO								
		safe_mode	7	-								
Y14	-	jtag_emu1	0	IO	H	H	0	vdds_io	Yes	4	PU100/ PD100	LVC MOS
		gpio_31	4	IO								
		safe_mode	7	-								

PRODUCT PREVIEW

**Table 2-2. Ball Characteristics (CBC Pkg.) (continued)**

BALL BOTTOM [1]	BALL TOP [2]	PIN NAME [4]	MODE [5]	TYPE [6]	BALL RESET STATE [7]	BALL RESET REL. STATE [8]	RESET REL. MODE [9]	POWER [10]	HYS [11]	BUFFER STRENGTH (mA) [12]	PULLUP /DOWN TYPE [13]	IO CELL [14]
U3	-	mcbsp3_clkx <sup>(5)</sup>	0	IO	L	L	7	vdds_io	Yes	4 <sup>(2)</sup>	PU100/ PD100	LVCMOS
		uart2_tx	1	O								
		gpio_142	4	IO								
		hsusb3_tll_data6	5	IO								
		safe_mode	7	-								
N3	-	mcbsp3_dr <sup>(5)</sup>	0	I	L	L	7	vdds_io	Yes	4 <sup>(2)</sup>	PU100/ PD100	LVCMOS
		uart2_rts	1	O								
		gpio_141	4	IO								
		hsusb3_tll_data5	5	IO								
		safe_mode	7	-								
P3	-	mcbsp3_dx <sup>(5)</sup>	0	IO	L	L	7	vdds_io	Yes	4 <sup>(2)</sup>	PU100/ PD100	LVCMOS
		uart2_cts	1	I								
		gpio_140	4	IO								
		hsusb3_tll_data4	5	IO								
		safe_mode	7	-								
W3	-	mcbsp3_fsx <sup>(5)</sup>	0	IO	L	L	7	vdds_io	Yes	4 <sup>(2)</sup>	PU100/ PD100	LVCMOS
		uart2_rx	1	I								
		gpio_143	4	IO								
		hsusb3_tll_data7	5	IO								
		safe_mode	7	-								
V3	-	mcbsp4_clkx <sup>(5)</sup>	0	IO	L	L	7	vdds_io	Yes	4 <sup>(2)</sup>	PU100/ PD100	LVCMOS
		-	1	I								
		gpio_152	4	IO								
		hsusb3_tll_data1	5	IO								
		mm3_txse0	6	IO								
safe_mode	7	-										
U4	-	mcbsp4_dr <sup>(5)</sup>	0	I	L	L	7	vdds_io	Yes	4 <sup>(2)</sup>	PU100/ PD100	LVCMOS
		-	1	I								
		gpio_153	4	IO								
		hsusb3_tll_data0	5	IO								
		mm3_rxcv	6	IO								
safe_mode	7	-										
R3	-	mcbsp4_dx <sup>(5)</sup>	0	IO	L	L	7	vdds_io	Yes	4 <sup>(2)</sup>	PU100/ PD100	LVCMOS
		-	1	O								
		gpio_154	4	IO								
		hsusb3_tll_data2	5	IO								
		mm3_txdat	6	IO								
safe_mode	7	-										
T3	-	mcbsp4_fsx <sup>(5)</sup>	0	IO	L	L	7	vdds_io	Yes	4 <sup>(2)</sup>	PU100/ PD100	LVCMOS
		-	1	O								
		gpio_155	4	IO								
		hsusb3_tll_data3	5	IO								
		mm3_txen_n	6	IO								
safe_mode	7	-										
M3	-	mmc2_dat5 <sup>(5)</sup>	0	IO	L	L	7	vdds_io	Yes	4 <sup>(2)</sup>	PU100/ PD100	LVCMOS
		mmc2_dir_dat1	1	O								
		cam_global_reset	2	IO								
		mmc3_dat1	3	IO								
		gpio_137	4	IO								
		hsusb3_tll_stp	5	I								
		mm3_rxdp	6	IO								
safe_mode	7	-										

(5) This functionality is not supported.

**Table 2-2. Ball Characteristics (CBC Pkg.) (continued)**

BALL BOTTOM [1]	BALL TOP [2]	PIN NAME [4]	MODE [5]	TYPE [6]	BALL RESET STATE [7]	BALL RESET REL. STATE [8]	RESET REL. MODE [9]	POWER [10]	HYS [11]	BUFFER STRENG TH (mA) [12]	PULLUP /DOWN TYPE [13]	IO CELL [14]
L3	-	mmc2_dat6 <sup>(5)</sup>	0	IO	L	L	7	vdds_io	Yes	4 <sup>(2)</sup>	PU100/ PD100	LVCMOS
		mmc2_dir_cmd	1	O								
		cam_shutter	2	O								
		mmc3_dat2	3	IO								
		gpio_138	4	IO								
		hsusb3_tll_dir	5	O								
		safe_mode	7	-								
K3	-	mmc2_dat7 <sup>(5)</sup>	0	IO	L	L	7	vdds_io	Yes	4 <sup>(2)</sup>	PU100/ PD100	LVCMOS
		mmc2_clkin	1	I								
		mmc3_dat3	3	IO								
		gpio_139	4	IO								
		hsusb3_tll_nxt	5	IO								
		mm3_rxdm	6	IO								
		safe_mode	7	-								
W2	-	uart1_cts <sup>(5)</sup>	0	I	L	L	7	vdds_io	Yes	4 <sup>(2)</sup>	PU100/ PD100	LVCMOS
		-	1	I								
		gpio_150	4	IO								
		hsusb3_tll_clk	5	O								
		safe_mode	7	-								

**Table 2-3. Ball Characteristics (CUS Pkg.)<sup>(1)</sup>**

BALL BOTTOM [1]	PIN NAME [3]	MODE [4]	TYPE [5]	BALL RESET STATE [6]	BALL RESET REL. STATE [7]	RESET REL. MODE [8]	POWER [9]	HYS [10]	BUFFER STRENGTH (mA) [11]	PULL U/D TYPE [12]	IO CELL [13]
D7	sdr_c_d0	0	IO	L	Z	0	VDDSD_MEM	Yes	4	PU/ PD	LVC MOS
C5	sdr_c_d1	0	IO	L	Z	0	VDDSD_MEM	Yes	4	PU/ PD	LVC MOS
C6	sdr_c_d2	0	IO	L	Z	0	VDDSD_MEM	Yes	4	PU/ PD	LVC MOS
B5	sdr_c_d3	0	IO	L	Z	0	VDDSD_MEM	Yes	4	PU/ PD	LVC MOS
D9	sdr_c_d4	0	IO	L	Z	0	VDDSD_MEM	Yes	4	PU/ PD	LVC MOS
D10	sdr_c_d5	0	IO	L	Z	0	VDDSD_MEM	Yes	4	PU/ PD	LVC MOS
C7	sdr_c_d6	0	IO	L	Z	0	VDDSD_MEM	Yes	4	PU/ PD	LVC MOS
B7	sdr_c_d7	0	IO	L	Z	0	VDDSD_MEM	Yes	4	PU/ PD	LVC MOS
B11	sdr_c_d8	0	IO	L	Z	0	VDDSD_MEM	Yes	4	PU/ PD	LVC MOS
C12	sdr_c_d9	0	IO	L	Z	0	VDDSD_MEM	Yes	4	PU/ PD	LVC MOS
B12	sdr_c_d10	0	IO	L	Z	0	VDDSD_MEM	Yes	4	PU/ PD	LVC MOS
D13	sdr_c_d11	0	IO	L	Z	0	VDDSD_MEM	Yes	4	PU/ PD	LVC MOS
C13	sdr_c_d12	0	IO	L	Z	0	VDDSD_MEM	Yes	4	PU/ PD	LVC MOS
B14	sdr_c_d13	0	IO	L	Z	0	VDDSD_MEM	Yes	4	PU/ PD	LVC MOS
A14	sdr_c_d14	0	IO	L	Z	0	VDDSD_MEM	Yes	4	PU/ PD	LVC MOS
B15	sdr_c_d15	0	IO	L	Z	0	VDDSD_MEM	Yes	4	PU/ PD	LVC MOS
C9	sdr_c_d16	0	IO	L	Z	0	VDDSD_MEM	Yes	4	PU/ PD	LVC MOS
E12	sdr_c_d17	0	IO	L	Z	0	VDDSD_MEM	Yes	4	PU/ PD	LVC MOS
B8	sdr_c_d18	0	IO	L	Z	0	VDDSD_MEM	Yes	4	PU/ PD	LVC MOS
B9	sdr_c_d19	0	IO	L	Z	0	VDDSD_MEM	Yes	4	PU/ PD	LVC MOS
C10	sdr_c_d20	0	IO	L	Z	0	VDDSD_MEM	Yes	4	PU/ PD	LVC MOS
B10	sdr_c_d21	0	IO	L	Z	0	VDDSD_MEM	Yes	4	PU/ PD	LVC MOS
D12	sdr_c_d22	0	IO	L	Z	0	VDDSD_MEM	Yes	4	PU/ PD	LVC MOS
E13	sdr_c_d23	0	IO	L	Z	0	VDDSD_MEM	Yes	4	PU/ PD	LVC MOS
E15	sdr_c_d24	0	IO	L	Z	0	VDDSD_MEM	Yes	4	PU/ PD	LVC MOS
D15	sdr_c_d25	0	IO	L	Z	0	VDDSD_MEM	Yes	4	PU/ PD	LVC MOS
C15	sdr_c_d26	0	IO	L	Z	0	VDDSD_MEM	Yes	4	PU/ PD	LVC MOS
B16	sdr_c_d27	0	IO	L	Z	0	VDDSD_MEM	Yes	4	PU/ PD	LVC MOS
C16	sdr_c_d28	0	IO	L	Z	0	VDDSD_MEM	Yes	4	PU/ PD	LVC MOS
D16	sdr_c_d29	0	IO	L	Z	0	VDDSD_MEM	Yes	4	PU/ PD	LVC MOS
B17	sdr_c_d30	0	IO	L	Z	0	VDDSD_MEM	Yes	4	PU/ PD	LVC MOS
B18	sdr_c_d31	0	IO	L	Z	0	VDDSD_MEM	Yes	4	PU/ PD	LVC MOS
C18	sdr_c_ba0	0	O	0	0	0	VDDSD_MEM	No	4	NA	LVC MOS
D18	sdr_c_ba1	0	O	0	0	0	VDDSD_MEM	No	4	NA	LVC MOS
A4	sdr_c_a0	0	O	0	0	0	VDDSD_MEM	No	4	NA	LVC MOS
B4	sdr_c_a1	0	O	0	0	0	VDDSD_MEM	No	4	NA	LVC MOS
D6	sdr_c_a2	0	O	0	0	0	VDDSD_MEM	No	4	NA	LVC MOS
B3	sdr_c_a3	0	O	0	0	0	VDDSD_MEM	No	4	NA	LVC MOS
B2	sdr_c_a4	0	O	0	0	0	VDDSD_MEM	No	4	NA	LVC MOS
C3	sdr_c_a5	0	O	0	0	0	VDDSD_MEM	No	4	NA	LVC MOS
E3	sdr_c_a6	0	O	0	0	0	VDDSD_MEM	No	4	NA	LVC MOS
F6	sdr_c_a7	0	O	0	0	0	VDDSD_MEM	No	4	NA	LVC MOS
E10	sdr_c_a8	0	O	0	0	0	VDDSD_MEM	No	4	NA	LVC MOS
E9	sdr_c_a9	0	O	0	0	0	VDDSD_MEM	No	4	NA	LVC MOS
E7	sdr_c_a10	0	O	0	0	0	VDDSD_MEM	No	4	NA	LVC MOS
G6	sdr_c_a11	0	O	0	0	0	VDDSD_MEM	No	4	NA	LVC MOS
G7	sdr_c_a12	0	O	0	0	0	VDDSD_MEM	No	4	NA	LVC MOS
F7	sdr_c_a13	0	O	0	0	0	VDDSD_MEM	No	4	NA	LVC MOS
F9	sdr_c_a14	0	O	0	0	0	VDDSD_MEM	No	4	NA	LVC MOS
A19	sdr_c_ncs0	0	O	1	1	0	VDDSD_MEM	No	4	NA	LVC MOS
B19	sdr_c_ncs1	0	O	1	1	0	VDDSD_MEM	No	4	NA	LVC MOS
A10	sdr_c_clk	0	IO	L	0	0	VDDSD_MEM	Yes	4	PU/ PD	LVC MOS
A11	sdr_c_nclk	0	O	1	1	0	VDDSD_MEM	No	4	NA	LVC MOS

(1) NA in this table stands for Not Applicable.

Table 2-3. Ball Characteristics (CUS Pkg.) (continued)

BALL BOTTOM [1]	PIN NAME [3]	MODE [4]	TYPE [5]	BALL RESET STATE [6]	BALL RESET REL. STATE [7]	RESET REL. MODE [8]	POWER [9]	HYS [10]	BUFFER STRENGTH (mA) [11]	PULL U/D TYPE [12]	IO CELL [13]
B20	sdr_c_cke0	0	O	H	1	7	VDDS_MEM	Yes	4	PU/ PD	LVCMOS
	safe_mode	7									
C20	sdr_c_cke1	0	O	H	1	7	VDDS_MEM	Yes	4	PU/ PD	LVCMOS
	safe_mode	7									
D19	sdr_c_nras	0	O	1	1	0	VDDS_MEM	No	4	NA	LVCMOS
C19	sdr_c_ncas	0	O	1	1	0	VDDS_MEM	No	4	NA	LVCMOS
A20	sdr_c_nwe	0	O	1	1	0	VDDS_MEM	No	4	NA	LVCMOS
B6	sdr_c_dm0	0	O	0	0	0	VDDS_MEM	No	4	NA	LVCMOS
B13	sdr_c_dm1	0	O	0	0	0	VDDS_MEM	No	4	NA	LVCMOS
A7	sdr_c_dm2	0	O	0	0	0	VDDS_MEM	No	4	NA	LVCMOS
A16	sdr_c_dm3	0	O	0	0	0	VDDS_MEM	No	4	NA	LVCMOS
A5	sdr_c_dqs0	0	IO	L	Z	0	VDDS_MEM	Yes	4	PU/ PD	LVCMOS
A13	sdr_c_dqs1	0	IO	L	Z	0	VDDS_MEM	Yes	4	PU/ PD	LVCMOS
A8	sdr_c_dqs2	0	IO	L	Z	0	VDDS_MEM	Yes	4	PU/ PD	LVCMOS
A17	sdr_c_dqs3	0	IO	L	Z	0	VDDS_MEM	Yes	4	PU/ PD	LVCMOS
K4	gpmc_a1	0	O	L	L	7	VDDS_MEM	Yes	4	PU/ PD	LVCMOS
	gpio_34	4	IO								
	safe_mode	7									
K3	gpmc_a2	0	O	L	L	7	VDDS_MEM	Yes	4	PU/ PD	LVCMOS
	gpio_35	4	IO								
	safe_mode	7									
K2	gpmc_a3	0	O	L	L	7	VDDS_MEM	Yes	4	PU/ PD	LVCMOS
	gpio_36	4	IO								
	safe_mode	7									
J4	gpmc_a4	0	O	L	L	7	VDDS_MEM	Yes	4	PU/ PD	LVCMOS
	gpio_37	4	IO								
	safe_mode	7									
J3	gpmc_a5	0	O	L	L	7	VDDS_MEM	Yes	4	PU/ PD	LVCMOS
	gpio_38	4	IO								
	safe_mode	7									
J2	gpmc_a6	0	O	H	H	7	VDDS_MEM	Yes	4	PU/ PD	LVCMOS
	gpio_39	4	IO								
	safe_mode	7									
J1	gpmc_a7	0	O	H	H	7	VDDS_MEM	Yes	4	PU/ PD	LVCMOS
	gpio_40	4	IO								
	safe_mode	7									
H1	gpmc_a8	0	O	H	H	7	VDDS_MEM	Yes	4	PU/ PD	LVCMOS
	gpio_41	4	IO								
	safe_mode	7									
H2	gpmc_a9	0	O	H	H	7	VDDS_MEM	Yes	4	PU/ PD	LVCMOS
	sys_ndmareq2	1	I								
	gpio_42	4	IO								
G2	safe_mode	7									
	gpmc_a10	0	O	H	H	7	VDDS_MEM	Yes	4	PU/ PD	LVCMOS
	sys_ndmareq3	1	I								
	gpio_43	4	IO								
safe_mode	7										
L2	gpmc_d0	0	IO	H	H	0	VDDS_MEM	Yes	4	PU/ PD	LVCMOS
M1	gpmc_d1	0	IO	H	H	0	VDDS_MEM	Yes	4	PU/ PD	LVCMOS
M2	gpmc_d2	0	IO	H	H	0	VDDS_MEM	Yes	4	PU/ PD	LVCMOS
N2	gpmc_d3	0	IO	H	H	0	VDDS_MEM	Yes	4	PU/ PD	LVCMOS
M3	gpmc_d4	0	IO	H	H	0	VDDS_MEM	Yes	4	PU/ PD	LVCMOS
P1	gpmc_d5	0	IO	H	H	0	VDDS_MEM	Yes	4	PU/ PD	LVCMOS
P2	gpmc_d6	0	IO	H	H	0	VDDS_MEM	Yes	4	PU/ PD	LVCMOS

PRODUCT PREVIEW

**Table 2-3. Ball Characteristics (CUS Pkg.) (continued)**

BALL BOTTOM [1]	PIN NAME [3]	MODE [4]	TYPE [5]	BALL RESET STATE [6]	BALL RESET REL. STATE [7]	RESET REL. MODE [8]	POWER [9]	HYS [10]	BUFFER STRENGTH (mA) [11]	PULL U/D TYPE [12]	IO CELL [13]
R1	gpmc_d7	0	IO	H	H	0	VDDS_MEM	Yes	4	PU/ PD	LVC MOS
R2	gpmc_d8	0	IO	H	H	0	VDDS_MEM	Yes	4	PU/ PD	LVC MOS
	gpio_44	4	IO								
	safe_mode	7									
T2	gpmc_d9	0	IO	H	H	0	VDDS_MEM	Yes	4	PU/ PD	LVC MOS
	gpio_45	4	IO								
	safe_mode	7									
U1	gpmc_d10	0	IO	H	H	0	VDDS_MEM	Yes	4	PU/ PD	LVC MOS
	gpio_46	4	IO								
	safe_mode	7									
R3	gpmc_d11	0	IO	H	H	0	VDDS_MEM	Yes	4	PU/ PD	LVC MOS
	gpio_47	4	IO								
	safe_mode	7									
T3	gpmc_d12	0	IO	H	H	0	VDDS_MEM	Yes	4	PU/ PD	LVC MOS
	gpio_48	4	IO								
	safe_mode	7									
U2	gpmc_d13	0	IO	H	H	0	VDDS_MEM	Yes	4	PU/ PD	LVC MOS
	gpio_49	4	IO								
	safe_mode	7									
V1	gpmc_d14	0	IO	H	H	0	VDDS_MEM	Yes	4	PU/ PD	LVC MOS
	gpio_50	4	IO								
	safe_mode	7									
V2	gpmc_d15	0	IO	H	H	0	VDDS_MEM	Yes	4	PU/ PD	LVC MOS
	gpio_51	4	IO								
	safe_mode	7									
E2	gpmc_ncs0	0	O	1	1	0	VDDS_MEM	No	4	NA	LVC MOS
D2	gpmc_ncs3	0	O	H	H	7	VDDS_MEM	Yes	4	PU/ PD	LVC MOS
	sys_ndmareq0	1	I								
	gpio_54	4	IO								
	safe_mode	7									
F4	gpmc_ncs4	0	O	H	H	7	VDDS_MEM	Yes	4	PU/ PD	LVC MOS
	sys_ndmareq1	1	I								
	mcb sp4_clkx	2	IO								
	gpt9_pwm_evt	3	IO								
	gpio_55	4	IO								
	safe_mode	7									
G5	gpmc_ncs5	0	O	H	H	7	VDDS_MEM	Yes	4	PU/ PD	LVC MOS
	sys_ndmareq2	1	I								
	mcb sp4_dr	2	I								
	gpt10_pwm_evt	3	IO								
	gpio_56	4	IO								
	safe_mode	7									
F3	gpmc_ncs6	0	O	H	H	7	VDDS_MEM	Yes	4	PU/ PD	LVC MOS
	sys_ndmareq3	1	I								
	mcb sp4_dx	2	IO								
	gpt11_pwm_evt	3	IO								
	gpio_57	4	IO								
	safe_mode	7									
G4	gpmc_ncs7	0	O	H	H	7	VDDS_MEM	Yes	4	PU/ PD	LVC MOS
	gpmc_io_dir	1	O								
	mcb sp4_fsx	2	IO								
	gpt8_pwm_evt	3	IO								
	gpio_58	4	IO								
	safe_mode	7									

**PRODUCT PREVIEW**

Table 2-3. Ball Characteristics (CUS Pkg.) (continued)

BALL BOTTOM [1]	PIN NAME [3]	MODE [4]	TYPE [5]	BALL RESET STATE [6]	BALL RESET REL. STATE [7]	RESET REL. MODE [8]	POWER [9]	HYS [10]	BUFFER STRENGTH (mA) [11]	PULL U/D TYPE [12]	IO CELL [13]
W2	gpmc_clk	0	O	L	0	0	VDDS_MEM	Yes	4	PU/ PD	LVCMOS
	gpio_59	4	IO								
	safe_mode	7									
F1	gpmc_nadv_ale	0	O	0	0	0	VDDS_MEM	No	4	NA	LVCMOS
F2	gpmc_noe	0	O	1	1	0	VDDS_MEM	No	4	NA	LVCMOS
G3	gpmc_nwe	0	O	1	1	0	VDDS_MEM	No	4	NA	LVCMOS
K5	gpmc_nbe0_cle	0	O	L	0	0	VDDS_MEM	Yes	4	PU/ PD	LVCMOS
	gpio_60	4	IO								
	safe_mode	7									
L1	gpmc_nbe1	0	O	L	L	7	VDDS_MEM	Yes	4	PU/ PD	LVCMOS
	gpio_61	4	IO								
	safe_mode	7									
E1	gpmc_nwp	0	O	L	0	0	VDDS_MEM	Yes	4	PU/ PD	LVCMOS
	gpio_62	4	IO								
	safe_mode	7									
C1	gpmc_wait0	0	I	H	H	0	VDDS_MEM	Yes	NA	PU/ PD	LVCMOS
C2	gpmc_wait3	0	I	H	H	7	VDDS_MEM	Yes	4	PU/ PD	LVCMOS
	sys_ndmareq1	1	I								
	gpio_65	4	IO								
	safe_mode	7									
G22	dss_pclk	0	O	H	H	7	VDDS	Yes	4	PU/ PD	LVCMOS
	gpio_66	4	IO								
	safe_mode	7									
E22	dss_hsync	0	O	H	H	7	VDDS	Yes	4	PU/ PD	LVCMOS
	gpio_67	4	IO								
	safe_mode	7									
F22	dss_vsync	0	O	H	H	7	VDDS	Yes	4	PU/ PD	LVCMOS
	gpio_68	4	IO								
	safe_mode	7									
J21	dss_acbias	0	O	L	L	7	VDDS	Yes	8	PU/ PD	LVCMOS
	gpio_69	4	IO								
	safe_mode	7									
AC19	dss_data0	0	IO	L	L	7	VDDS	No	4	PU/ PD	LVDS/ CMOS
	uart1_cts	2	I								
	gpio_70	4	IO								
	safe_mode	7									
AB19	dss_data1	0	IO	L	L	7	VDDS	No	4	PU/ PD	LVDS/ CMOS
	uart1_rts	2	O								
	gpio_71	4	IO								
	safe_mode	7									
AD20	dss_data2	0	IO	L	L	7	VDDS	No	4	PU/ PD	LVDS/ CMOS
	gpio_72	4	IO								
	safe_mode	7									
AC20	dss_data3	0	IO	L	L	7	VDDS	No	4	PU/ PD	LVDS/ CMOS
	gpio_73	4	IO								
	safe_mode	7									
AD21	dss_data4	0	IO	L	L	7	VDDS	No	4	PU/ PD	LVDS/ CMOS
	uart3_rx_irrx	2	I								
	gpio_74	4	IO								
	safe_mode	7									
AC21	dss_data5	0	IO	L	L	7	VDDS	No	4	PU/ PD	LVDS/ CMOS
	uart3_tx_irtx	2	O								
	gpio_75	4	IO								
	safe_mode	7									

PRODUCT PREVIEW



**Table 2-3. Ball Characteristics (CUS Pkg.) (continued)**

BALL BOTTOM [1]	PIN NAME [3]	MODE [4]	TYPE [5]	BALL RESET STATE [6]	BALL RESET REL. STATE [7]	RESET REL. MODE [8]	POWER [9]	HYS [10]	BUFFER STRENGTH (mA) [11]	PULL U/D TYPE [12]	IO CELL [13]
D24	dss_data6	0	IO	L	L	7	VDDS	Yes	8	PU/ PD	LVCMOS
	uart1_tx	2	O								
	gpio_76	4	IO								
	safe_mode	7									
E23	dss_data7	0	IO	L	L	7	VDDS	Yes	8	PU/ PD	LVCMOS
	uart1_rx	2	I								
	gpio_77	4	IO								
	safe_mode	7									
E24	dss_data8	0	IO	L	L	7	VDDS	Yes	8	PU/ PD	LVCMOS
	gpio_78	4	IO								
	safe_mode	7									
F23	dss_data9	0	IO	L	L	7	VDDS	Yes	8	PU/ PD	LVCMOS
	gpio_79	4	IO								
	safe_mode	7									
AC22	dss_data10	0	IO	L	L	7	VDDS	NA	4	PU/ PD	LVDS/ CMOS
	gpio_80	4	IO								
	safe_mode	7									
AC23	dss_data11	0	IO	L	L	7	VDDS	NA	4	PU/ PD	LVDS/ CMOS
	gpio_81	4	IO								
	safe_mode	7									
AB22	dss_data12	0	IO	L	L	7	VDDS	NA	4	PU/ PD	LVDS/ CMOS
	gpio_82	4	IO								
	safe_mode	7									
Y22	dss_data13	0	IO	L	L	7	VDDS	NA	4	PU/ PD	LVDS/ CMOS
	gpio_83	4	IO								
	safe_mode	7									
W22	dss_data14	0	IO	L	L	7	VDDS	NA	4	PU/ PD	LVDS/ CMOS
	gpio_84	4	IO								
	safe_mode	7									
V22	dss_data15	0	IO	L	L	7	VDDS	NA	4	PU/ PD	LVDS/ CMOS
	gpio_85	4	IO								
	safe_mode	7									
J22	dss_data16	0	IO	L	L	7	VDDS	Yes	8	PU/ PD	LVCMOS
	gpio_86	4	IO								
	safe_mode	7									
G23	dss_data17	0	IO	L	L	7	VDDS	Yes	8	PU/ PD	LVCMOS
	gpio_87	4	IO								
	safe_mode	7									
G24	dss_data18	0	IO	L	L	7	VDDS	Yes	8	PU/ PD	LVCMOS
	mcspi3_clk	2	IO								
	dss_data0	3	IO								
	gpio_88	4	IO								
	safe_mode	7									
H23	dss_data19	0	IO	L	L	7	VDDS	Yes	8	PU/ PD	LVCMOS
	mcspi3_simo	2	IO								
	dss_data1	3	IO								
	gpio_89	4	IO								
	safe_mode	7									
D23	dss_data20	0	O	H	H	7	VDDS	Yes	4	PU/ PD	LVCMOS
	mcspi3_somi	2	IO								
	dss_data2	3	IO								
	gpio_90	4	IO								
	safe_mode	7									
K22	dss_data21	0	O	L	L	7	VDDS	Yes	8	PU/ PD	LVCMOS

**PRODUCT PREVIEW**

Table 2-3. Ball Characteristics (CUS Pkg.) (continued)

BALL BOTTOM [1]	PIN NAME [3]	MODE [4]	TYPE [5]	BALL RESET STATE [6]	BALL RESET REL. STATE [7]	RESET REL. MODE [8]	POWER [9]	HYS [10]	BUFFER STRENGTH (mA) [11]	PULL U/D TYPE [12]	IO CELL [13]
	mcspi3_cs0	2	IO								
	dss_data3	3	IO								
	gpio_91	4	IO								
	safe_mode	7									
V21	dss_data22	0	O	L	L	7	VDDS	NA	4	PU/ PD	LVDS/ CMOS
	mcspi3_cs1	2	O								
	dss_data4	3	IO								
	gpio_92	4	IO								
W21	safe_mode	7									
	dss_data23	0	O	L	L	7	VDDS	NA	4	PU/ PD	LVDS/ CMOS
	dss_data5	3	IO								
	gpio_93	4	IO								
AA23	safe_mode	7									
	tv_out2	0	O	Z	0	0	VDDADAC		8	NA	10-bit DAC
AB24	tv_out1	0	O	Z	0	0	VDDADAC		8	NA	10-bit DAC
AB23	tv_vfb1	0	O	Z	NA	0	VDDADAC			NA	10-bit DAC
Y23	tv_vfb2	0	O	Z	NA	0	VDDADAC			NA	10-bit DAC
Y24	tv_vref	0	I	Z	NA	0	VDDADAC			NA	10-bit DAC
A22	cam_hs	0	IO	L	L	7	VDDS	Yes	4	PU/ PD	LVCMOS
	gpio_94	4	IO								
	safe_mode	7									
E18	cam_vs	0	IO	L	L	7	VDDS	Yes	4	PU/ PD	LVCMOS
	gpio_95	4	IO								
	safe_mode	7									
B22	cam_xclka	0	O	L	L	7	VDDS	Yes	4	PU/ PD	LVCMOS
	gpio_96	4	IO								
	safe_mode	7									
J19	cam_pclk	0	I	L	L	7	VDDS	Yes	4	PU/ PD	LVCMOS
	gpio_97	4	IO								
	safe_mode	7									
H24	cam_fid	0	IO	L	L	7	VDDS	Yes	4	PU/ PD	LVCMOS
	cam_global_reset	2	IO								
	gpio_98	4	IO								
	safe_mode	7									
AB18	cam_d0	0	I	L	L	7	VDDS	Yes	4	PD	LVDS/ CMOS
	gpio_99	4	I								
	safe_mode	7									
AC18	cam_d1	0	I	L	L	7	VDDS	Yes	4	PD	LVDS/ CMOS
	gpio_100	4	I								
	safe_mode	7									
G19	cam_d2	0	I	L	L	7	VDDS	Yes	4	PU/ PD	LVCMOS
	gpio_101	4	IO								
	safe_mode	7									
F19	cam_d3	0	I	L	L	7	VDDS	Yes	4	PU/ PD	LVCMOS
	gpio_102	4	IO								
	safe_mode	7									
G20	cam_d4	0	I	L	L	7	VDDS	Yes	4	PU/ PD	LVCMOS
	gpio_103	4	IO								
	safe_mode	7									
B21	cam_d5	0	I	L	L	7	VDDS	Yes	4	PU/ PD	LVCMOS
	gpio_104	4	IO								
	safe_mode	7									
L24	cam_d6	0	I	L	L	7	VDDS	NA	4	PD	LVDS/ CMOS
	gpio_105	4	IO								

PRODUCT PREVIEW

**Table 2-3. Ball Characteristics (CUS Pkg.) (continued)**

BALL BOTTOM [1]	PIN NAME [3]	MODE [4]	TYPE [5]	BALL RESET STATE [6]	BALL RESET REL. STATE [7]	RESET REL. MODE [8]	POWER [9]	HYS [10]	BUFFER STRENGTH (mA) [11]	PULL U/D TYPE [12]	IO CELL [13]
	safe_mode	7									
K24	cam_d7	0	I	L	L	7	VDDS	NA	4	PD	LVDS/ CMOS
	gpio_106	4	IO								
	safe_mode	7									
J23	cam_d8	0	I	L	L	7	VDDS	NA	4	PD	LVDS/ CMOS
	gpio_107	4	IO								
	safe_mode	7									
K23	cam_d9	0	I	L	L	7	VDDS	NA	4	PD	LVDS/ CMOS
	gpio_108	4	IO								
	safe_mode	7									
F21	cam_d10	0	I	L	L	7	VDDS	Yes	4	PU/ PD	LVCMOS
	gpio_109	4	IO								
	safe_mode	7									
G21	cam_d11	0	I	L	L	7	VDDS	Yes	4	PU/ PD	LVCMOS
	gpio_110	4	IO								
	safe_mode	7									
C22	cam_xclkb	0	O	L	L	7	VDDS	Yes	4	PU/ PD	LVCMOS
	gpio_111	4	IO								
	safe_mode	7									
F18	cam_wen	0	I	L	L	7	VDDS	Yes	4	PU/ PD	LVCMOS
	cam_shutter	2	O								
	gpio_167	4	IO								
	safe_mode	7									
J20	cam_strobe	0	O	L	L	7	VDDS	Yes	4	PU/ PD	LVCMOS
	gpio_126	4	IO								
	safe_mode	7									
V20	mcbasp2_fsx	0	IO	PGM	L	7	VDDS	Yes	4 <sup>(2)</sup>	PU/ PD	LVCMOS
	gpio_116	4	IO								
	safe_mode	7									
T21	mcbasp2_clkx	0	IO	PGM	L	7	VDDS	Yes	4 <sup>(2)</sup>	PU/ PD	LVCMOS
	gpio_117	4	IO								
	safe_mode	7									
V19	mcbasp2_dr	0	I	PGM	L	7	VDDS	Yes	4 <sup>(2)</sup>	PU/ PD	LVCMOS
	gpio_118	4	IO								
	safe_mode	7									
R20	mcbasp2_dx	0	IO	PGM	L	7	VDDS	Yes	4 <sup>(2)</sup>	PU/ PD	LVCMOS
	gpio_119	4	IO								
	safe_mode	7									
M23	mmc1_clk	0	O	L	L	7	MMC1_VDDS	Yes	8	PU/ PD	LVCMOS
	gpio_120	4	IO								
	safe_mode	7									
L23	mmc1_cmd	0	IO	L	L	7	MMC1_VDDS	Yes	8	PU/ PD	LVCMOS
	gpio_121	4	IO								
	safe_mode	7									
M22	mmc1_dat0	0	IO	L	L	7	MMC1_VDDS	Yes	8	PU/ PD	LVCMOS
	gpio_122	4	IO								
	safe_mode	7									
M21	mmc1_dat1	0	IO	L	L	7	MMC1_VDDS	Yes	8	PU/ PD	LVCMOS
	gpio_123	4	IO								
	safe_mode	7									
M20	mmc1_dat2	0	IO	L	L	7	MMC1_VDDS	Yes	8	PU/ PD	LVCMOS
	gpio_124	4	IO								

(2) The buffer strength of this IO cell is programmable (2, 4, 6, or 8 mA) according to the selected mode; the default value is described in the above table.

Table 2-3. Ball Characteristics (CUS Pkg.) (continued)

BALL BOTTOM [1]	PIN NAME [3]	MODE [4]	TYPE [5]	BALL RESET STATE [6]	BALL RESET REL. STATE [7]	RESET REL. MODE [8]	POWER [9]	HYS [10]	BUFFER STRENGTH (mA) [11]	PULL U/D TYPE [12]	IO CELL [13]
	safe_mode	7									
N23	mmc1_dat3	0	IO	L	L	7	MMC1_VDDS	Yes	8	PU/ PD	LVCMOS
	gpio_125	4	IO								
	safe_mode	7									
N22	mmc1_dat4	0	IO	L	L	7	VDDS_MMC1a	No	8	PD	LVCMOS
	gpio_126	4	IO								
	safe_mode	7									
N21	mmc1_dat5	0	IO	L	L	7	VDDS_MMC1a	No	8	PD	LVCMOS
	gpio_127	4	IO								
	safe_mode	7									
N20	mmc1_dat6	0	IO	L	L	7	VDDS_MMC1a	No	8	PD	LVCMOS
	gpio_128	4	IO								
	safe_mode	7									
P24	mmc1_dat7	0	IO	L	L	7	VDDS_MMC1a	No	8	PD	LVCMOS
	gpio_129	4	IO								
	safe_mode	7									
Y1	mmc2_clk	0	O	L	L	7	VDDS	Yes	4	PU/ PD	LVCMOS
	mcspi3_clk	1	IO								
	gpio_130	4	IO								
	safe_mode	7									
AB5	mmc2_cmd	0	IO	H	H	7	VDDS	Yes	4	PU/ PD	LVCMOS
	mcspi3_simo	1	IO								
	gpio_131	4	IO								
	safe_mode	7									
AB3	mmc2_dat0	0	IO	H	H	7	VDDS	Yes	4	PU/ PD	LVCMOS
	mcspi3_somi	1	IO								
	gpio_132	4	IO								
	safe_mode	7									
Y3	mmc2_dat1	0	IO	H	H	7	VDDS	Yes	4	PU/ PD	LVCMOS
	gpio_133	4	IO								
	safe_mode	7									
W3	mmc2_dat2	0	IO	H	H	7	VDDS	Yes	4	PU/ PD	LVCMOS
	mcspi3_cs1	1	O								
	gpio_134	4	IO								
	safe_mode	7									
V3	mmc2_dat3	0	IO	H	H	7	VDDS	Yes	4	PU/ PD	LVCMOS
	mcspi3_cs0	1	IO								
	gpio_135	4	IO								
	safe_mode	7									
AB2	mmc2_dat4	0	IO	L	L	7	VDDS	Yes	4	PU/ PD	LVCMOS
	mmc2_dir_dat0	1	O								
	mmc3_dat0	3	IO								
	gpio_136	4	IO								
	safe_mode	7									
AA2	mmc2_dat5	0	IO	L	L	7	VDDS	Yes	4	PU/ PD	LVCMOS
	mmc2_dir_dat1	1	O								
	cam_global_reset	2	IO								
	mmc3_dat1	3	IO								
	gpio_137	4	IO								
	safe_mode	7									
Y2	mmc2_dat6	0	IO	L	L	7	VDDS	Yes	4	PU/ PD	LVCMOS
	mmc2_dir_cmd	1	O								
	cam_shutter	2	O								
	mmc3_dat2	3	IO								

PRODUCT PREVIEW

**Table 2-3. Ball Characteristics (CUS Pkg.) (continued)**

BALL BOTTOM [1]	PIN NAME [3]	MODE [4]	TYPE [5]	BALL RESET STATE [6]	BALL RESET REL. STATE [7]	RESET REL. MODE [8]	POWER [9]	HYS [10]	BUFFER STRENGTH (mA) [11]	PULL U/D TYPE [12]	IO CELL [13]
	gpio_138	4	IO								
	safe_mode	7									
AA1	mmc2_dat7	0	IO	L	L	7	VDDS	Yes	4	PU/ PD	LVC MOS
	mmc2_clkin	1	I								
	mmc3_dat3	3	IO								
	gpio_139	4	IO								
	safe_mode	7									
V6	mcbasp3_dx	0	IO	L	L	7	VDDS	Yes	4	PU/ PD	LVC MOS
	uart2_cts	1	I								
	gpio_140	4	IO								
	safe_mode	7									
V5	mcbasp3_dr	0	I	L	L	7	VDDS	Yes	4	PU/ PD	LVC MOS
	uart2_rts	1	O								
	gpio_141	4	IO								
	safe_mode	7									
W4	mcbasp3_clkx	0	IO	L	L	7	VDDS	Yes	4	PU/ PD	LVC MOS
	uart2_tx	1	O								
	gpio_142	4	IO								
	safe_mode	7									
V4	mcbasp3_fsx	0	IO	L	L	7	VDDS	Yes	4	PU/ PD	LVC MOS
	uart2_rx	1	I								
	gpio_143	4	IO								
	safe_mode	7									
W7	uart1_tx	0	O	L	L	7	VDDS	Yes	4	PU/ PD	LVC MOS
	gpio_148	4	IO								
	safe_mode	7									
W6	uart1_rts	0	O	L	L	7	VDDS	Yes	4	PU/ PD	LVC MOS
	gpio_149	4	IO								
	safe_mode	7									
AC2	uart1_cts	0	I	L	L	7	VDDS	Yes	4	PU/ PD	LVC MOS
	gpio_150	4	IO								
	safe_mode	7									
V7	uart1_rx	0	I	L	L	7	VDDS	Yes	4	PU/ PD	LVC MOS
	mcbasp1_clkr	2	IO								
	mcspi4_clk	3	IO								
	gpio_151	4	IO								
	safe_mode	7									
W19	mcbasp1_clkr	0	IO	L	L	7	VDDS	Yes	4	PU/ PD	LVC MOS
	mcspi4_clk	1	IO								
	gpio_156	4	IO								
	safe_mode	7									
AB20	mcbasp1_fsr	0	IO	L	L	7	VDDS	Yes	4	PU/ PD	LVC MOS
	cam_global_reset	2	IO								
	gpio_157	4	IO								
	safe_mode	7									
W18	mcbasp1_dx	0	IO	L	L	7	VDDS	Yes	4	PU/ PD	LVC MOS
	mcspi4_simo	1	IO								
	mcbasp3_dx	2	IO								
	gpio_158	4	IO								
	safe_mode	7									
Y18	mcbasp1_dr	0	I	L	L	7	VDDS	Yes	4	PU/ PD	LVC MOS
	mcspi4_somi	1	IO								
	mcbasp3_dr	2	O								
	gpio_159	4	IO								

Table 2-3. Ball Characteristics (CUS Pkg.) (continued)

BALL BOTTOM [1]	PIN NAME [3]	MODE [4]	TYPE [5]	BALL RESET STATE [6]	BALL RESET REL. STATE [7]	RESET REL. MODE [8]	POWER [9]	HYS [10]	BUFFER STRENGTH (mA) [11]	PULL U/D TYPE [12]	IO CELL [13]
	safe_mode	7									
AA18	mcbssp_clks	0	I	L	L	7	VDDS	Yes	4	PU/ PD	LVCMOS
	cam_shutter	2	O								
	gpio_160	4	IO								
	uart1_cts	5	I								
	safe_mode	7									
AA19	mcbssp1_fsx	0	IO	L	L	7	VDDS	Yes	4	PU/ PD	LVCMOS
	mcsppi4_cs0	1	IO								
	mcbssp3_fsx	2	IO								
	gpio_161	4	IO								
	safe_mode	7									
V18	mcbssp1_clkx	0	IO	L	L	7	VDDS	Yes	4	PU/ PD	LVCMOS
	mcbssp3_clkx	2	IO								
	gpio_162	4	IO								
	safe_mode	7									
A23	uart3_cts_rctx	0	IO	H	H	7	VDDS	Yes	4	PU/ PD	LVCMOS
	gpio_163	4	IO								
	safe_mode	7									
B23	uart3_rts_sd	0	O	H	H	7	VDDS	Yes	4	PU/ PD	LVCMOS
	gpio_164	4	IO								
	safe_mode	7									
B24	uart3_rx_irrx	0	I	H	H	7	VDDS	Yes	4	PU/ PD	LVCMOS
	gpio_165	4	IO								
	safe_mode	7									
C23	uart3_tx_irtx	0	O	H	H	7	VDDS	Yes	4	PU/ PD	LVCMOS
	gpio_166	4	IO								
	safe_mode	7									
R21	hsusb0_clk	0	I	L	L	7	VDDS	Yes	4	PU/ PD	LVCMOS
	gpio_120	4	IO								
	safe_mode	7									
R23	hsusb0_stp	0	O	H	H	7	VDDS	Yes	4	PU/ PD	LVCMOS
	gpio_121	4	IO								
	safe_mode	7									
P23	hsusb0_dir	0	I	L	L	7	VDDS	Yes	4	PU/ PD	LVCMOS
	gpio_122	4	IO								
	safe_mode	7									
R22	hsusb0_nxt	0	I	L	L	7	VDDS	Yes	4	PU/ PD	LVCMOS
	gpio_124	4	IO								
	safe_mode	7									
T24	hsusb0_data0	0	IO	L	L	7	VDDS	Yes	4	PU/ PD	LVCMOS
	uart3_tx_irtx	2	O								
	gpio_125	4	IO								
	safe_mode	7									
T23	hsusb0_data1	0	IO	L	L	7	VDDS	Yes	4	PU/ PD	LVCMOS
	uart3_rx_irrx	2	I								
	gpio_130	4	IO								
	safe_mode	7									
U24	hsusb0_data2	0	IO	L	L	7	VDDS	Yes	4	PU/ PD	LVCMOS
	uart3_rts_sd	2	O								
	gpio_131	4	IO								
	safe_mode	7									
U23	hsusb0_data3	0	IO	L	L	7	VDDS	Yes	4	PU/ PD	LVCMOS
	uart3_cts_rctx	2	IO								
	gpio_169	4	IO								

PRODUCT PREVIEW

**Table 2-3. Ball Characteristics (CUS Pkg.) (continued)**

BALL BOTTOM [1]	PIN NAME [3]	MODE [4]	TYPE [5]	BALL RESET STATE [6]	BALL RESET REL. STATE [7]	RESET REL. MODE [8]	POWER [9]	HYS [10]	BUFFER STRENGTH (mA) [11]	PULL U/D TYPE [12]	IO CELL [13]
	safe_mode	7									
W24	hsusb0_data4	0	IO	L	L	7	VDDS	Yes	4	PU/ PD	LVCMOS
	gpio_188	4	IO								
	safe_mode	7									
V23	hsusb0_data5	0	IO	L	L	7	VDDS	Yes	4	PU/ PD	LVCMOS
	gpio_189	4	IO								
	safe_mode	7									
W23	hsusb0_data6	0	IO	L	L	7	VDDS	Yes	4	PU/ PD	LVCMOS
	gpio_190	4	IO								
	safe_mode	7									
T22	hsusb0_data7	0	IO	L	L	7	VDDS	Yes	4	PU/ PD	LVCMOS
	gpio_191	4	IO								
	safe_mode	7									
K20	i2c1_scl	0	IOD	H	H	0	VDDS	Yes	4	PU/ PD	Open Drain
K21	i2c1_sda	0	IOD	H	H	0	VDDS	Yes	4	PU/ PD	Open Drain
AC15	i2c2_scl	0	IOD	H	H	7	VDDS	Yes	4	PU/ PD	Open Drain
	gpio_168	4	IO								
	safe_mode	7									
AC14	i2c2_sda	0	IOD	H	H	7	VDDS	Yes	4	PU/ PD	Open Drain
	gpio_183	4	IO								
	safe_mode	7									
AC13	i2c3_scl	0	IOD	H	H	7	VDDS	Yes	4	PU/ PD	Open Drain
	gpio_184	4	IO								
	safe_mode	7									
AC12	i2c3_sda	0	IOD	H	H	7	VDDS	Yes	4	PU/ PD	Open Drain
	gpio_185	4	IO								
	safe_mode	7									
Y16	i2c4_scl	0	IOD	H	H	0	VDDS	Yes	4	PU/ PD	Open Drain
	sys_nvmode1	1	O								
	safe_mode	7									
Y15	i2c4_sda	0	IOD	H	H	0	VDDS	Yes	4	PU/ PD	Open Drain
	sys_nvmode2	1	O								
	safe_mode	7									
A24	hdq_sio	0	IOD	H	H	7	VDDS	Yes	4	PU/ PD	LVCMOS
	sys_altclk	1	I								
	i2c2_sccbe	2	O								
	i2c3_sccbe	3	O								
	gpio_170	4	IO								
	safe_mode	7									
T5	mcspi1_clk	0	IO	PGM	L	7	VDDS	Yes	4 <sup>(2)</sup>	PU/ PD	LVCMOS
	mmc2_dat4	1	IO								
	gpio_171	4	IO								
	safe_mode	7									
R4	mcspi1_simo	0	IO	PGM	L	7	VDDS	Yes	4 <sup>(2)</sup>	PU/ PD	LVCMOS
	mmc2_dat5	1	IO								
	gpio_172	4	IO								
	safe_mode	7									
T4	mcspi1_somi	0	IO	PGM	L	7	VDDS	Yes	4 <sup>(2)</sup>	PU/ PD	LVCMOS
	mmc2_dat6	1	IO								
	gpio_173	4	IO								
	safe_mode	7									
T6	mcspi1_cs0	0	IO	PGM	H	7	VDDS	Yes	4 <sup>(2)</sup>	PU/ PD	LVCMOS
	mmc2_dat7	1	IO								
	gpio_174	4	IO								

Table 2-3. Ball Characteristics (CUS Pkg.) (continued)

BALL BOTTOM [1]	PIN NAME [3]	MODE [4]	TYPE [5]	BALL RESET STATE [6]	BALL RESET REL. STATE [7]	RESET REL. MODE [8]	POWER [9]	HYS [10]	BUFFER STRENGTH (mA) [11]	PULL U/D TYPE [12]	IO CELL [13]
	safe_mode	7									
R5	mcspi1_cs3	0	O	H	H	7	VDDS	Yes	4	PU/ PD	LVCMOS
	hsusb2_tll_data2	2	IO								
	hsusb2_data2	3	IO								
	gpio_177	4	IO								
	mm2_txdat	5	IO								
safe_mode	7										
N5	mcspi2_clk	0	IO	L	L	7	VDDS	Yes	4	PU/ PD	LVCMOS
	hsusb2_tll_data7	2	IO								
	hsusb2_data7	3	O								
	gpio_178	4	IO								
	safe_mode	7									
N4	mcspi2_simo	0	IO	L	L	7	VDDS	Yes	4	PU/ PD	LVCMOS
	gpt9_pwm_evt	1	IO								
	hsusb2_tll_data4	2	IO								
	hsusb2_data4	3	I								
	gpio_179	4	IO								
safe_mode	7										
N3	mcspi2_somi	0	IO	L	L	7	VDDS	Yes	4	PU/ PD	LVCMOS
	gpt10_pwm_evt	1	IO								
	hsusb2_tll_data5	2	IO								
	hsusb2_data5	3	O								
	gpio_180	4	IO								
safe_mode	7										
M5	mcspi2_cs0	0	IO	H	H	7	VDDS	Yes	4	PU/ PD	LVCMOS
	gpt11_pwm_evt	1	IO								
	hsusb2_tll_data6	2	IO								
	hsusb2_data6	3	O								
	gpio_181	4	IO								
safe_mode	7										
M4	mcspi2_cs1	0	O	L	L	7	VDDS	Yes	4	PU/ PD	LVCMOS
	gpt8_pwm_evt	1	IO								
	hsusb2_tll_data3	2	IO								
	hsusb2_data3	3	IO								
	gpio_182	4	IO								
	mm2_txen_n	5	IO								
safe_mode	7										
AA16	sys_32k	0	I	Z	I	NA	VDDS	Yes	NA	NA	LVCMOS
AD15	sys_xtalin	0	I	Z	I	NA	VDDS	Yes		NA	LVCMOS
AD14	sys_xtalout	0	O	Z	O	NA	VDDS	Yes		NA	LVCMOS
Y13	sys_clkreq	0	IO	0	1	0	VDDS	Yes	4	PU/ PD	LVCMOS
	gpio_1	4	IO								
	safe_mode	7									
W16	sys_nirq	0	I	H	H	7	VDDS	Yes	4	PU/ PD	LVCMOS
	gpio_0	4	IO								
	safe_mode	7									
AA10	sys_nrespwron	0	I	Z	I	NA	VDDS	Yes	NA	NA	LVCMOS
Y10	sys_nreswarm	0	IOD	0	1 (PU)	0	VDDS	Yes	4	PU/ PD	LVCMOS
	gpio_30	4	IO								
	safe_mode	7									
AB12	sys_boot0	0	I	Z	Z	0	VDDS	Yes	4	PU/ PD	LVCMOS
	gpio_2	4	IO								
	safe_mode	7									

PRODUCT PREVIEW



**Table 2-3. Ball Characteristics (CUS Pkg.) (continued)**

BALL BOTTOM [1]	PIN NAME [3]	MODE [4]	TYPE [5]	BALL RESET STATE [6]	BALL RESET REL. STATE [7]	RESET REL. MODE [8]	POWER [9]	HYS [10]	BUFFER STRENGTH (mA) [11]	PULL U/D TYPE [12]	IO CELL [13]
AC16	sys_boot1	0	I	Z	Z	0	VDDS	Yes	4	PU/ PD	LVC MOS
	gpio_3	4	IO								
	safe_mode	7									
AD17	sys_boot2	0	I	Z	Z	0	VDDS	Yes	4	PU/ PD	LVC MOS
	gpio_4	4	IO								
	safe_mode	7									
AD18	sys_boot3	0	I	Z	Z	0	VDDS	Yes	4	PU/ PD	LVC MOS
	gpio_5	4	IO								
	safe_mode	7									
AC17	sys_boot4	0	I	Z	Z	0	VDDS	Yes	4	PU/ PD	LVC MOS
	mmc2_dir_dat2	1	O								
	gpio_6	4	IO								
	safe_mode	7									
AB16	sys_boot5	0	I	Z	Z	0	VDDS	Yes	4	PU/ PD	LVC MOS
	mmc2_dir_dat3	1	O								
	gpio_7	4	IO								
	safe_mode	7									
AA15	sys_boot6	0	I	Z	Z	0	VDDS	Yes	4	PU/ PD	LVC MOS
	gpio_8	4	IO								
	safe_mode	7									
AD23	sys_off_mode	0	O	0	L	7	VDDS	Yes	4	PU/ PD	LVC MOS
	gpio_9	4	IO								
	safe_mode	7									
Y7	sys_clkout1	0	O	L	L	7	VDDS	Yes	4	PU/ PD	LVC MOS
	gpio_10	4	IO								
	safe_mode	7									
AA6	sys_clkout2	0	O	L	L	7	VDDS	Yes	4	PU/ PD	LVC MOS
	gpio_186	4	IO								
	safe_mode	7									
A1	sys_ipmcsws	0	AI	Z	AI	NA	VDDS	NA	NA	NA	Analog
A2	sys_opmcsws	0	AO	0	AO	NA	VDDS	No	NA	NA	LVC MOS
AB7	jtag_nrst	0	I	L	L	0	VDDS	Yes	NA	PU/ PD	LVC MOS
AB6	jtag_tck	0	I	L	L	0	VDDS	Yes	NA	PU/ PD	LVC MOS
AA7	jtag_rtck	0	O	L	0	0	VDDS	Yes	4	PU/ PD	LVC MOS
AA9	jtag_tms_tmse	0	IO	H	H	0	VDDS	Yes	4	PU/ PD	LVC MOS
AB10	jtag_tdi	0	I	H	H	0	VDDS	Yes	NA	PU/ PD	LVC MOS
AB9	jtag_tdo	0	O	L	Z	0	VDDS	Yes	4	PU/ PD	LVC MOS
AC24	jtag_emu0	0	IO	H	H	0	VDDS	Yes	4	PU/ PD	LVC MOS
	gpio_11	4	IO								
	safe_mode	7									
AD24	jtag_emu1	0	IO	H	H	0	VDDS	Yes	4	PU/ PD	LVC MOS
	gpio_31	4	IO								
	safe_mode	7									
AC1	etk_clk	0	O	H	H	4	VDDS	Yes	4	PU/ PD	LVC MOS
	mcbasp5_clkx	1	IO								
	mmc3_clk	2	O								
	hsusb1_stp	3	O								
	gpio_12	4	IO								
	mm1_rxdp	5	IO								
	hsusb1_tll_stp	6	I								
AD3	etk_ctl	0	O	H	H	4	VDDS	Yes	4	PU/ PD	LVC MOS
	mmc3_cmd	2	IO								
	hsusb1_clk	3	O								
	gpio_13	4	IO								

Table 2-3. Ball Characteristics (CUS Pkg.) (continued)

BALL BOTTOM [1]	PIN NAME [3]	MODE [4]	TYPE [5]	BALL RESET STATE [6]	BALL RESET REL. STATE [7]	RESET REL. MODE [8]	POWER [9]	HYS [10]	BUFFER STRENGTH (mA) [11]	PULL U/D TYPE [12]	IO CELL [13]
	hsusb1_tll_clk	6	O								
AD6	etk_d0	0	O	H	H	4	VDDS	Yes	4	PU/ PD	LVCMOS
	mcspi3_simo	1	IO								
	mmc3_dat4	2	IO								
	hsusb1_data0	3	IO								
	gpio_14	4	IO								
	mm1_rxcv	5	IO								
hsusb1_tll_data0	6	IO									
AC6	etk_d1	0	O	H	H	4	VDDS	Yes	4	PU/ PD	LVCMOS
	mcspi3_somi	1	IO								
	hsusb1_data1	3	IO								
	gpio_15	4	IO								
	mm1_txse0	5	IO								
	hsusb1_tll_data1	6	IO								
AC7	etk_d2	0	O	H	H	4	VDDS	Yes	4	PU/ PD	LVCMOS
	mcspi3_cs0	1	IO								
	hsusb1_data2	3	IO								
	gpio_16	4	IO								
	mm1_txdat	5	IO								
	hsusb1_tll_data2	6	IO								
AD8	etk_d3	0	O	H	H	4	VDDS	Yes	4	PU/ PD	LVCMOS
	mcspi3_clk	1	IO								
	mmc3_dat3	2	IO								
	hsusb1_data7	3	IO								
	gpio_17	4	IO								
	hsusb1_tll_data7	6	IO								
AC5	etk_d4	0	O	L	L	4	VDDS	Yes	4	PU/ PD	LVCMOS
	mcbasp5_dr	1	I								
	mmc3_dat0	2	IO								
	hsusb1_data4	3	IO								
	gpio_18	4	IO								
	hsusb1_tll_data4	6	IO								
AD2	etk_d5	0	O	L	L	4	VDDS	Yes	4	PU/ PD	LVCMOS
	mcbasp5_fsx	1	IO								
	mmc3_dat1	2	IO								
	hsusb1_data5	3	IO								
	gpio_19	4	IO								
	hsusb1_tll_data5	6	IO								
AC8	etk_d6	0	O	L	L	4	VDDS	Yes	4	PU/ PD	LVCMOS
	mcbasp5_dx	1	IO								
	mmc3_dat2	2	IO								
	hsusb1_data6	3	IO								
	gpio_20	4	IO								
	hsusb1_tll_data6	6	IO								
AD9	etk_d7	0	O	L	L	4	VDDS	Yes	4	PU/ PD	LVCMOS
	mcspi3_cs1	1	O								
	mmc3_dat7	2	IO								
	hsusb1_data3	3	IO								
	gpio_21	4	IO								
	mm1_txen_n	5	IO								
hsusb1_tll_data3	6	IO									

PRODUCT PREVIEW

**Table 2-3. Ball Characteristics (CUS Pkg.) (continued)**

BALL BOTTOM [1]	PIN NAME [3]	MODE [4]	TYPE [5]	BALL RESET STATE [6]	BALL RESET REL. STATE [7]	RESET REL. MODE [8]	POWER [9]	HYS [10]	BUFFER STRENGTH (mA) [11]	PULL U/D TYPE [12]	IO CELL [13]
AC4	etk_d8	0	O	L	L	4	VDDS	Yes	4	PU/ PD	LVCMOS
	sys_drm_msecure	1	O								
	mmc3_dat6	2	IO								
	hsusb1_dir	3	I								
	gpio_22	4	IO								
	hsusb1_tll_dir	6	O								
AD5	etk_d9	0	O	L	L	4	VDDS	Yes	4	PU/ PD	LVCMOS
	sys_secure_indicator	1	O								
	mmc3_dat5	2	IO								
	hsusb1_nxt	3	I								
	gpio_23	4	IO								
	mm1_rxdm	5	IO								
	hsusb1_tll_nxt	6	O								
AC3	etk_d10	0	O	L	L	4	VDDS	Yes	4	PU/ PD	LVCMOS
	uart1_rx	2	I								
	hsusb2_clk	3	O								
	gpio_24	4	IO								
	hsusb2_tll_clk	6	O								
AC9	etk_d11	0	O	L	L	4	VDDS	Yes	4	PU/ PD	LVCMOS
	hsusb2_stp	3	O								
	gpio_25	4	IO								
	mm2_rxdp	5	IO								
	hsusb2_tll_stp	6	I								
AC10	etk_d12	0	O	L	L	4	VDDS	Yes	4	PU/ PD	LVCMOS
	hsusb2_dir	3	I								
	gpio_26	4	IO								
	hsusb2_tll_dir	6	O								
AD11	etk_d13	0	O	L	L	4	VDDS	Yes	4	PU/ PD	LVCMOS
	hsusb2_nxt	3	I								
	gpio_27	4	IO								
	mm2_rxdm	5	IO								
	hsusb2_tll_nxt	6	O								
AC11	etk_d14	0	O	L	L	4	VDDS	Yes	4	PU/ PD	LVCMOS
	hsusb2_data0	3	IO								
	gpio_28	4	IO								
	mm2_rxcv	5	IO								
	hsusb2_tll_data0	6	IO								
AD12	etk_d15	0	O	L	L	4	VDDS	Yes	4	PU/ PD	LVCMOS
	hsusb2_data1	3	IO								
	gpio_29	4	IO								
	mm2_txse0	5	IO								
	hsusb2_tll_data1	6	IO								

**PRODUCT PREVIEW**

### 2.3 Multiplexing Characteristics

Table 2-4 through Table 2-6 provide a description of the OMAP3530/25 multiplexing on the CBB, CBC, and CUS packages, respectively.

**Note:** Table 2-4 and Table 2-6 do not take into account subsystem pin multiplexing options. Subsystem pin multiplexing options are described in Section 2.4, *Signal Description*.

**Table 2-4. Multiplexing Characteristics (CBB Pkg.)<sup>(1)</sup>**

Ball Bottom	Ball Top	Mode 0	Mode 1	Mode 2	Mode 3	Mode 4	Mode 5	Mode 6	Mode 7
D6	J2	sdrc_d0	-	-	-	-	-	-	-
C6	J1	sdrc_d1	-	-	-	-	-	-	-
B6	G2	sdrc_d2	-	-	-	-	-	-	-
C8	G1	sdrc_d3	-	-	-	-	-	-	-
C9	F2	sdrc_d4	-	-	-	-	-	-	-
A7	F1	sdrc_d5	-	-	-	-	-	-	-
B9	D2	sdrc_d6	-	-	-	-	-	-	-
A9	D1	sdrc_d7	-	-	-	-	-	-	-
C14	B13	sdrc_d8	-	-	-	-	-	-	-
B14	A13	sdrc_d9	-	-	-	-	-	-	-
C15	B14	sdrc_d10	-	-	-	-	-	-	-
B16	A14	sdrc_d11	-	-	-	-	-	-	-
D17	B16	sdrc_d12	-	-	-	-	-	-	-
C17	A16	sdrc_d13	-	-	-	-	-	-	-
B17	B19	sdrc_d14	-	-	-	-	-	-	-
D18	A19	sdrc_d15	-	-	-	-	-	-	-
D11	B3	sdrc_d16	-	-	-	-	-	-	-
B10	A3	sdrc_d17	-	-	-	-	-	-	-
C11	B5	sdrc_d18	-	-	-	-	-	-	-
D12	A5	sdrc_d19	-	-	-	-	-	-	-
C12	B8	sdrc_d20	-	-	-	-	-	-	-
A11	A8	sdrc_d21	-	-	-	-	-	-	-
B13	B9	sdrc_d22	-	-	-	-	-	-	-
D14	A9	sdrc_d23	-	-	-	-	-	-	-
C18	B21	sdrc_d24	-	-	-	-	-	-	-
A19	A21	sdrc_d25	-	-	-	-	-	-	-
B19	D22	sdrc_d26	-	-	-	-	-	-	-
B20	D23	sdrc_d27	-	-	-	-	-	-	-
D20	E22	sdrc_d28	-	-	-	-	-	-	-
A21	E23	sdrc_d29	-	-	-	-	-	-	-
B21	G22	sdrc_d30	-	-	-	-	-	-	-
C21	G23	sdrc_d31	-	-	-	-	-	-	-
H9	AB21	sdrc_ba0	-	-	-	-	-	-	-
H10	AC21	sdrc_ba1	-	-	-	-	-	-	-
A4	N22	sdrc_a0	-	-	-	-	-	-	-
B4	N 23	sdrc_a1	-	-	-	-	-	-	-
B3	P22	sdrc_a2	-	-	-	-	-	-	-
C5	P23	sdrc_a3	-	-	-	-	-	-	-
C4	R22	sdrc_a4	-	-	-	-	-	-	-

(1) NA in table stands for Not Applicable.

**Table 2-4. Multiplexing Characteristics (CBB Pkg.) (continued)**

Ball Bottom	Ball Top	Mode 0	Mode 1	Mode 2	Mode 3	Mode 4	Mode 5	Mode 6	Mode 7
D5	R23	sdrc_a5	-	-	-	-	-	-	-
C3	T22	sdrc_a6	-	-	-	-	-	-	-
C2	T23	sdrc_a7	-	-	-	-	-	-	-
C1	U22	sdrc_a8	-	-	-	-	-	-	-
D4	U23	sdrc_a9	-	-	-	-	-	-	-
D3	V22	sdrc_a10	-	-	-	-	-	-	-
D2	V23	sdrc_a11	-	-	-	-	-	-	-
D1	W22	sdrc_a12	-	-	-	-	-	-	-
E2	W23	sdrc_a13	-	-	-	-	-	-	-
E1	Y22	sdrc_a14	-	-	-	-	-	-	-
H11	M22	sdrc_ncs0	-	-	-	-	-	-	-
H12	M23	sdrc_ncs1	-	-	-	-	-	-	-
A13	A11	sdrc_clk	-	-	-	-	-	-	-
A14	B11	sdrc_nclk	-	-	-	-	-	-	-
H16	J22	sdrc_cke0	-	-	-	-	-	-	safe_mode
H17	J23	sdrc_cke1	-	-	-	-	-	-	safe_mode
H14	L23	sdrc_nras	-	-	-	-	-	-	-
H13	L22	sdrc_ncas	-	-	-	-	-	-	-
H15	K23	sdrc_nwe	-	-	-	-	-	-	-
B7	C1	sdrc_dm0	-	-	-	-	-	-	-
A16	A17	sdrc_dm1	-	-	-	-	-	-	-
B11	A6	sdrc_dm2	-	-	-	-	-	-	-
C20	A20	sdrc_dm3	-	-	-	-	-	-	-
A6	C2	sdrc_dqs0	-	-	-	-	-	-	-
A17	B17	sdrc_dqs1	-	-	-	-	-	-	-
A10	B6	sdrc_dqs2	-	-	-	-	-	-	-
A20	B20	sdrc_dqs3	-	-	-	-	-	-	-
N4	AC15	gpmc_a1	-	-	-	gpio_34	-	-	safe_mode
M4	AB15	gpmc_a2	-	-	-	gpio_35	-	-	safe_mode
L4	AC16	gpmc_a3	-	-	-	gpio_36	-	-	safe_mode
K4	AB16	gpmc_a4	-	-	-	gpio_37	-	-	safe_mode
T3	AC17	gpmc_a5	-	-	-	gpio_38	-	-	safe_mode
R3	AB17	gpmc_a6	-	-	-	gpio_39	-	-	safe_mode
N3	AC18	gpmc_a7	-	-	-	gpio_40	-	-	safe_mode
M3	AB18	gpmc_a8	-	-	-	gpio_41	-	-	safe_mode
L3	AC19	gpmc_a9	sys_nda ndmareq2	-	-	gpio_42	-	-	safe_mode
K3	AB19	gpmc_a10	sys_nda ndmareq3	-	-	gpio_43	-	-	safe_mode
K1	M2	gpmc_d0	-	-	-	-	-	-	-
L1	M1	gpmc_d1	-	-	-	-	-	-	-
L2	N2	gpmc_d2	-	-	-	-	-	-	-
P2	N 1	gpmc_d3	-	-	-	-	-	-	-
T1	R2	gpmc_d4	-	-	-	-	-	-	-
V1	R1	gpmc_d5	-	-	-	-	-	-	-
V2	T2	gpmc_d6	-	-	-	-	-	-	-
W2	T1	gpmc_d7	-	-	-	-	-	-	-

**PRODUCT PREVIEW**

Table 2-4. Multiplexing Characteristics (CBB Pkg.) (continued)

Ball Bottom	Ball Top	Mode 0	Mode 1	Mode 2	Mode 3	Mode 4	Mode 5	Mode 6	Mode 7
H2	AB3	gpmc_d8	-	-	-	gpio_44	-	-	safe_mode
K2	AC3	gpmc_d9	-	-	-	gpio_45	-	-	safe_mode
P1	AB4	gpmc_d10	-	-	-	gpio_46	-	-	safe_mode
R1	AC4	gpmc_d11	-	-	-	gpio_47	-	-	safe_mode
R2	AB6	gpmc_d12	-	-	-	gpio_48	-	-	safe_mode
T2	AC6	gpmc_d13	-	-	-	gpio_49	-	-	safe_mode
W1	AB7	gpmc_d14	-	-	-	gpio_50	-	-	safe_mode
Y1	AC7	gpmc_d15	-	-	-	gpio_51	-	-	safe_mode
G4	Y2	gpmc_ncs0	-	-	-	-	-	-	-
H3	Y1	gpmc_ncs1	-	-	-	gpio_52	-	-	safe_mode
V8	NA	gpmc_ncs2	-	-	-	gpio_53	-	-	safe_mode
U8	NA	gpmc_ncs3	sys_ ndmareq0	-	-	gpio_54	-	-	safe_mode
T8	NA	gpmc_ncs4	sys_ ndmareq1	mcbasp4_clkx	gpt9_pwm_ evt	gpio_55	-	-	safe_mode
R8	NA	gpmc_ncs5	sys_ ndmareq2	mcbasp4_dr	gpt10_pwm_ evt	gpio_56	-	-	safe_mode
P8	NA	gpmc_ncs6	sys_ ndmareq3	mcbasp4_dx	gpt11_pwm_ evt	gpio_57	-	-	safe_mode
N8	NA	gpmc_ncs7	gpmc_io_dir	mcbasp4_fsx	gpt8_pwm_ evt	gpio_58	-	-	safe_mode
T4	W2	gpmc_clk	-	-	-	gpio_59	-	-	safe_mode
F3	W1	gpmc_nadv_ ale	-	-	-	-	-	-	-
G2	V2	gpmc_noe	-	-	-	-	-	-	-
F4	V1	gpmc_nwe	-	-	-	-	-	-	-
G3	AC12	gpmc_nbe0_ cle	-	-	-	gpio_60	-	-	safe_mode
U3	NA	gpmc_nbe1	-	-	-	gpio_61	-	-	safe_mode
H1	AB10	gpmc_nwp	-	-	-	gpio_62	-	-	safe_mode
M8	AB12	gpmc_wait0	-	-	-	-	-	-	-
L8	AC10	gpmc_wait1	-	-	-	gpio_63	-	-	safe_mode
K8	NA	gpmc_wait2	-	-	-	gpio_64	-	-	safe_mode
J8	NA	gpmc_wait3	sys_ ndmareq1	-	-	gpio_65	-	-	safe_mode
D28	NA	dss_pclk	-	-	-	gpio_66	-	-	safe_mode
D26	NA	dss_hsync	-	-	-	gpio_67	-	-	safe_mode
D27	NA	dss_vsync	-	-	-	gpio_68	-	-	safe_mode
E27	NA	dss_acbias	-	-	-	gpio_69	-	-	safe_mode
AG22	NA	dss_data0	-	uart1_cts	-	gpio_70	-	-	safe_mode
AH22	NA	dss_data1	-	uart1_rts	-	gpio_71	-	-	safe_mode
AG23	NA	dss_data2	-	-	-	gpio_72	-	-	safe_mode
AH23	NA	dss_data3	-	-	-	gpio_73	-	-	safe_mode
AG24	NA	dss_data4	-	uart3_rx_irrx	-	gpio_74	-	-	safe_mode
AH24	NA	dss_data5	-	uart3_tx_irtx	-	gpio_75	-	-	safe_mode
E26	NA	dss_data6	-	uart1_tx	-	gpio_76	-	-	safe_mode
F28	NA	dss_data7	-	uart1_rx	-	gpio_77	-	-	safe_mode
F27	NA	dss_data8	-	-	-	gpio_78	-	-	safe_mode
G26	NA	dss_data9	-	-	-	gpio_79	-	-	safe_mode

PRODUCT PREVIEW

**Table 2-4. Multiplexing Characteristics (CBB Pkg.) (continued)**

Ball Bottom	Ball Top	Mode 0	Mode 1	Mode 2	Mode 3	Mode 4	Mode 5	Mode 6	Mode 7
AD28	NA	dss_data10	-	-	-	gpio_80	-	-	safe_mode
AD27	NA	dss_data11	-	-	-	gpio_81	-	-	safe_mode
AB28	NA	dss_data12	-	-	-	gpio_82	-	-	safe_mode
AB27	NA	dss_data13	-	-	-	gpio_83	-	-	safe_mode
AA28	NA	dss_data14	-	-	-	gpio_84	-	-	safe_mode
AA27	NA	dss_data15	-	-	-	gpio_85	-	-	safe_mode
G25	NA	dss_data16	-	-	-	gpio_86	-	-	safe_mode
H27	NA	dss_data17	-	-	-	gpio_87	-	-	safe_mode
H26	NA	dss_data18	-	mcspi3_clk	dss_data0	gpio_88	-	-	safe_mode
H25	NA	dss_data19	-	mcspi3_simo	dss_data1	gpio_89	-	-	safe_mode
E28	NA	dss_data20	-	mcspi3_somi	dss_data2	gpio_90	-	-	safe_mode
J26	NA	dss_data21	-	mcspi3_cs0	dss_data3	gpio_91	-	-	safe_mode
AC27	NA	dss_data22	-	mcspi3_cs1	dss_data4	gpio_92	-	-	safe_mode
AC28	NA	dss_data23	-	-	dss_data5	gpio_93	-	-	safe_mode
W28	NA	tv_out2	-	-	-	-	-	-	-
Y28	NA	tv_out1	-	-	-	-	-	-	-
Y27	NA	tv_vfb1	-	-	-	-	-	-	-
W27	NA	tv_vfb2	-	-	-	-	-	-	-
W26	NA	tv_vref	-	-	-	-	-	-	-
A24	NA	cam_hs	-	-	-	gpio_94	-	-	safe_mode
A23	NA	cam_vs	-	-	-	gpio_95	-	-	safe_mode
C25	NA	cam_xclka	-	-	-	gpio_96	-	-	safe_mode
C27	NA	cam_pclk	-	-	-	gpio_97	-	-	safe_mode
C23	NA	cam_fld	-	cam_global_reset	-	gpio_98	-	-	safe_mode
AG17	NA	cam_d0	-	-	-	gpio_99	-	-	safe_mode
AH17	NA	cam_d1	-	-	-	gpio_100	-	-	safe_mode
B24	NA	cam_d2	-	-	-	gpio_101	-	-	safe_mode
C24	NA	cam_d3	-	-	-	gpio_102	-	-	safe_mode
D24	NA	cam_d4	-	-	-	gpio_103	-	-	safe_mode
A25	NA	cam_d5	-	-	-	gpio_104	-	-	safe_mode
K28	NA	cam_d6	-	-	-	gpio_105	-	-	safe_mode
L28	NA	cam_d7	-	-	-	gpio_106	-	-	safe_mode
K27	NA	cam_d8	-	-	-	gpio_107	-	-	safe_mode
L27	NA	cam_d9	-	-	-	gpio_108	-	-	safe_mode
B25	NA	cam_d10	-	-	-	gpio_109	-	-	safe_mode
C26	NA	cam_d11	-	-	-	gpio_110	-	-	safe_mode
B26	NA	cam_xclkb	-	-	-	gpio_111	-	-	safe_mode
B23	NA	cam_wen	-	cam_shutter	-	gpio_167	-	-	safe_mode
D25	NA	cam_strobe	-	-	-	gpio_126	-	-	safe_mode
AG19	NA	-	-	-	-	gpio_112	-	-	safe_mode
AH19	NA	-	-	-	-	gpio_113	-	-	safe_mode
AG18	NA	-	-	-	-	gpio_114	-	-	safe_mode
AH18	NA	-	-	-	-	gpio_115	-	-	safe_mode
P21	NA	mcbssp2_fsx	-	-	-	gpio_116	-	-	safe_mode
N21	NA	mcbssp2_clkx	-	-	-	gpio_117	-	-	safe_mode
R21	NA	mcbssp2_dr	-	-	-	gpio_118	-	-	safe_mode

**PRODUCT PREVIEW**

**Table 2-4. Multiplexing Characteristics (CBB Pkg.) (continued)**

Ball Bottom	Ball Top	Mode 0	Mode 1	Mode 2	Mode 3	Mode 4	Mode 5	Mode 6	Mode 7
M21	NA	mcbbsp2_dx	-	-	-	gpio_119	-	-	safe_mode
N28	NA	mmc1_clk	-	-	-	gpio_120	-	-	safe_mode
M27	NA	mmc1_cmd	-	-	-	gpio_121	-	-	safe_mode
N27	NA	mmc1_dat0	-	-	-	gpio_122	-	-	safe_mode
N26	NA	mmc1_dat1	-	-	-	gpio_123	-	-	safe_mode
N25	NA	mmc1_dat2	-	-	-	gpio_124	-	-	safe_mode
P28	NA	mmc1_dat3	-	-	-	gpio_125	-	-	safe_mode
P27	NA	mmc1_dat4	-	-	-	gpio_126	-	-	safe_mode
P26	NA	mmc1_dat5	-	-	-	gpio_127	-	-	safe_mode
R27	NA	mmc1_dat6	-	-	-	gpio_128	-	-	safe_mode
R25	NA	mmc1_dat7	-	-	-	gpio_129	-	-	safe_mode
AE2	NA	mmc2_clk	mcspi3_clk	-	-	gpio_130	-	-	safe_mode
AG5	NA	mmc2_cmd	mcspi3_simo	-	-	gpio_131	-	-	safe_mode
AH5	NA	mmc2_dat0	mcspi3_somi	-	-	gpio_132	-	-	safe_mode
AH4	NA	mmc2_dat1	-	-	-	gpio_133	-	-	safe_mode
AG4	NA	mmc2_dat2	mcspi3_cs1	-	-	gpio_134	-	-	safe_mode
AF4	NA	mmc2_dat3	mcspi3_cs0	-	-	gpio_135	-	-	safe_mode
AE4	NA	mmc2_dat4	mmc2_dir_dat0	-	mmc3_dat0	gpio_136	-	-	safe_mode
AH3	NA	mmc2_dat5	mmc2_dir_dat1	cam_global_reset	mmc3_dat1	gpio_137	hsusb3_tll_stp	mm3_rxdp	safe_mode
AF3	NA	mmc2_dat6	mmc2_dir_cmd	cam_shutter	mmc3_dat2	gpio_138	hsusb3_tll_dir	-	safe_mode
AE3	NA	mmc2_dat7	mmc2_clkln	-	mmc3_dat3	gpio_139	hsusb3_tll_nxt	mm3_rxdm	safe_mode
AF6	NA	mcbbsp3_dx	uart2_cts	-	-	gpio_140	hsusb3_tll_data4	-	safe_mode
AE6	NA	mcbbsp3_dr	uart2_rts	-	-	gpio_141	hsusb3_tll_data5	-	safe_mode
AF5	NA	mcbbsp3_clkx	uart2_tx	-	-	gpio_142	hsusb3_tll_data6	-	safe_mode
AE5	NA	mcbbsp3_fsx	uart2_rx	-	-	gpio_143	hsusb3_tll_data7	-	safe_mode
AB2	NA	uart2_cts	mcbbsp3_dx	gpt9_pwm_evt	-	gpio_144	-	-	safe_mode
AB25	NA	uart2_rts	mcbbsp3_dr	gpt10_pwm_evt	-	gpio_145	-	-	safe_mode
AA25	NA	uart2_tx	mcbbsp3_clkx	gpt11_pwm_evt	-	gpio_146	-	-	safe_mode
AD25	NA	uart2_rx	mcbbsp3_fsx	gpt8_pwm_evt	-	gpio_147	-	-	safe_mode
AA8	NA	uart1_tx	-	-	-	gpio_148	-	-	safe_mode
AA9	NA	uart1_rts	-	-	-	gpio_149	-	-	safe_mode
W8	NA	uart1_cts	-	-	-	gpio_150	hsusb3_tll_clk	-	safe_mode
Y8	NA	uart1_rx	-	mcbbsp1_clkr	mcspi4_clk	gpio_151	-	-	safe_mode
AE1	NA	mcbbsp4_clkx	-	-	-	gpio_152	hsusb3_tll_data1	mm3_txse0	safe_mode
AD1	NA	mcbbsp4_dr	-	-	-	gpio_153	hsusb3_tll_data0	mm3_rxcv	safe_mode

PRODUCT PREVIEW



**Table 2-4. Multiplexing Characteristics (CBB Pkg.) (continued)**

Ball Bottom	Ball Top	Mode 0	Mode 1	Mode 2	Mode 3	Mode 4	Mode 5	Mode 6	Mode 7
AD2	NA	mcbsp4_dx	-	-	-	gpio_154	hsusb3_tll_data2	mm3_txdat	safe_mode
AC1	NA	mcbsp4_fsx	-	-	-	gpio_155	hsusb3_tll_data3	mm3_txen_n	safe_mode
Y21	NA	mcbsp1_clkr	mcspi4_clk	-	-	gpio_156	-	-	safe_mode
AA21	NA	mcbsp1_fsr	-	cam_global_reset	-	gpio_157	-	-	safe_mode
V21	NA	mcbsp1_dx	mcspi4_simo	mcbsp3_dx	-	gpio_158	-	-	safe_mode
U21	NA	mcbsp1_dr	mcspi4_somi	mcbsp3_dr	-	gpio_159	-	-	safe_mode
T21	NA	mcbsp_clks	-	cam_shutter	-	gpio_160	uart1_cts	-	safe_mode
K26	NA	mcbsp1_fsx	mcspi4_cs0	mcbsp3_fsx	-	gpio_161	-	-	safe_mode
W21	NA	mcbsp1_clkx	-	mcbsp3_clkx	-	gpio_162	-	-	safe_mode
H18	NA	uart3_cts_rctx	-	-	-	gpio_163	-	-	safe_mode
H19	NA	uart3_rts_sd	-	-	-	gpio_164	-	-	safe_mode
H20	NA	uart3_rx_irrx	-	-	-	gpio_165	-	-	safe_mode
H21	NA	uart3_tx_irtx	-	-	-	gpio_166	-	-	safe_mode
T28	NA	hsusb0_clk	-	-	-	gpio_120	-	-	safe_mode
T25	NA	hsusb0_stp	-	-	-	gpio_121	-	-	safe_mode
R28	NA	hsusb0_dir	-	-	-	gpio_122	-	-	safe_mode
T26	NA	hsusb0_nxt	-	-	-	gpio_124	-	-	safe_mode
T27	NA	hsusb0_data0	-	uart3_tx_irtx	-	gpio_125	-	-	safe_mode
U28	NA	hsusb0_data1	-	uart3_rx_irrx	-	gpio_130	-	-	safe_mode
U27	NA	hsusb0_data2	-	uart3_rts_sd	-	gpio_131	-	-	safe_mode
U26	NA	hsusb0_data3	-	uart3_cts_rctx	-	gpio_169	-	-	safe_mode
U25	NA	hsusb0_data4	-	-	-	gpio_188	-	-	safe_mode
V28	NA	hsusb0_data5	-	-	-	gpio_189	-	-	safe_mode
V27	NA	hsusb0_data6	-	-	-	gpio_190	-	-	safe_mode
V26	NA	hsusb0_data7	-	-	-	gpio_191	-	-	safe_mode
K21	NA	i2c1_scl	-	-	-	-	-	-	-
J21	NA	i2c1_sda	-	-	-	-	-	-	-
AF15	NA	i2c2_scl	-	-	-	gpio_168	-	-	safe_mode
AE15	NA	i2c2_sda	-	-	-	gpio_183	-	-	safe_mode
AF14	NA	i2c3_scl	-	-	-	gpio_184	-	-	safe_mode
AG14	NA	i2c3_sda	-	-	-	gpio_185	-	-	safe_mode
AD26	NA	i2c4_scl	sys_nvmode1	-	-	-	-	-	safe_mode
AE26	NA	i2c4_sda	sys_nvmode2	-	-	-	-	-	safe_mode
J25	NA	hdq_sio	sys_altclk	i2c2_sccbe	i2c3_sccbe	gpio_170	-	-	safe_mode
AB3	NA	mcspi1_clk	mmc2_dat4	-	-	gpio_171	-	-	safe_mode
AB4	NA	mcspi1_simo	mmc2_dat5	-	-	gpio_172	-	-	safe_mode
AA4	NA	mcspi1_somi	mmc2_dat6	-	-	gpio_173	-	-	safe_mode

**Table 2-4. Multiplexing Characteristics (CBB Pkg.) (continued)**

Ball Bottom	Ball Top	Mode 0	Mode 1	Mode 2	Mode 3	Mode 4	Mode 5	Mode 6	Mode 7
AC2	NA	mcspi1_cs0	mmc2_dat7	-	-	gpio_174	-	-	safe_mode
AC3	NA	mcspi1_cs1	-	-	mmc3_cmd	gpio_175	-	-	safe_mode
AB1	NA	mcspi1_cs2	-	-	mmc3_clk	gpio_176	-	-	safe_mode
AB2	NA	mcspi1_cs3	-	hsusb2_tll_data2	hsusb2_data2	gpio_177	mm2_txdat	-	safe_mode
AA3	NA	mcspi2_clk	-	hsusb2_tll_data7	hsusb2_data7	gpio_178	-	-	safe_mode
Y2	NA	mcspi2_simo	gpt9_pwm_evt	hsusb2_tll_data4	hsusb2_data4	gpio_179	-	-	safe_mode
Y3	NA	mcspi2_somi	gpt10_pwm_evt	hsusb2_tll_data5	hsusb2_data5	gpio_180	-	-	safe_mode
Y4	NA	mcspi2_cs0	gpt11_pwm_evt	hsusb2_tll_data6	hsusb2_data6	gpio_181	-	-	safe_mode
V3	NA	mcspi2_cs1	gpt8_pwm_evt	hsusb2_tll_data3	hsusb2_data3	gpio_182	mm2_txen_n	-	safe_mode
AE25	NA	sys_32k	-	-	-	-	-	-	-
AE17	NA	sys_xtalin	-	-	-	-	-	-	-
AF17	NA	sys_xtalout	-	-	-	-	-	-	-
AF25	NA	sys_clkreq	-	-	-	gpio_1	-	-	safe_mode
AF26	NA	sys_nirq	-	-	-	gpio_0	-	-	safe_mode
AH25	NA	sys_nrespwr on	-	-	-	-	-	-	-
AF24	NA	sys_nreswar m	-	-	-	gpio_30	-	-	safe_mode
AH26	NA	sys_boot0	-	-	-	gpio_2	-	-	safe_mode
AG26	NA	sys_boot1	-	-	-	gpio_3	-	-	safe_mode
AE14	NA	sys_boot2	-	-	-	gpio_4	-	-	safe_mode
AF18	NA	sys_boot3	-	-	-	gpio_5	-	-	safe_mode
AF19	NA	sys_boot4	mmc2_dir_dat2	-	-	gpio_6	-	-	safe_mode
AE21	NA	sys_boot5	mmc2_dir_dat3	-	-	gpio_7	-	-	safe_mode
AF21	NA	sys_boot6	-	-	-	gpio_8	-	-	safe_mode
AF22	NA	sys_off_mode	-	-	-	gpio_9	-	-	safe_mode
AG25	NA	sys_clkout1	-	-	-	gpio_10	-	-	safe_mode
AE22	NA	sys_clkout2	-	-	-	gpio_186	-	-	safe_mode
B1	NA	sys_ipmcsws	-	-	-	-	-	-	-
A1	NA	sys_opmcsws	-	-	-	-	-	-	-
AA17	NA	jtag_nrst	-	-	-	-	-	-	-
AA13	NA	jtag_tck	-	-	-	-	-	-	-
AA12	NA	jtag_rtck	-	-	-	-	-	-	-
AA18	NA	jtag_tms_tmsc	-	-	-	-	-	-	-
AA20	NA	jtag_tdi	-	-	-	-	-	-	-
AA19	NA	jtag_tdo	-	-	-	-	-	-	-
AA11	NA	jtag_emu0	-	-	-	gpio_11	-	-	safe_mode
AA10	NA	jtag_emu1	-	-	-	gpio_31	-	-	safe_mode
AF10	NA	etk_clk	mcbasp5_clkx	mmc3_clk	hsusb1_stp	gpio_12	mm1_rxdp	hsusb1_tll_stp	-

PRODUCT PREVIEW

**Table 2-4. Multiplexing Characteristics (CBB Pkg.) (continued)**

Ball Bottom	Ball Top	Mode 0	Mode 1	Mode 2	Mode 3	Mode 4	Mode 5	Mode 6	Mode 7
AE10	NA	etk_ctl	-	mmc3_cmd	hsusb1_clk	gpio_13	-	hsusb1_tll_clk	-
AF11	NA	etk_d0	mcspi3_simo	mmc3_dat4	hsusb1_data0	gpio_14	mm1_rxrcv	hsusb1_tll_data0	-
AG12	NA	etk_d1	mcspi3_somi	-	hsusb1_data1	gpio_15	mm1_txse0	hsusb1_tll_data1	-
AH12	NA	etk_d2	mcspi3_cs0	-	hsusb1_data2	gpio_16	mm1_txdat	hsusb1_tll_data2	-
AE13	NA	etk_d3	mcspi3_clk	mmc3_dat3	hsusb1_data7	gpio_17	-	hsusb1_tll_data7	-
AE11	NA	etk_d4	mcbsp5_dr	mmc3_dat0	hsusb1_data4	gpio_18	-	hsusb1_tll_data4	-
AH9	NA	etk_d5	mcbsp5_fsx	mmc3_dat1	hsusb1_data5	gpio_19	-	hsusb1_tll_data5	-
AF13	NA	etk_d6	mcbsp5_dx	mmc3_dat2	hsusb1_data6	gpio_20	-	hsusb1_tll_data6	-
AH14	NA	etk_d7	mcspi3_cs1	mmc3_dat7	hsusb1_data3	gpio_21	mm1_txen_n	hsusb1_tll_data3	-
AF9	NA	etk_d8	sys_drm_msecure	mmc3_dat6	hsusb1_dir	gpio_22	-	hsusb1_tll_dir	-
AG9	NA	etk_d9	sys_secure_indicator	mmc3_dat5	hsusb1_nxt	gpio_23	mm1_rxdm	hsusb1_tll_nxt	-
AE7	NA	etk_d10	-	uart1_rx	hsusb2_clk	gpio_24	-	hsusb2_tll_clk	-
AF7	NA	etk_d11	-	-	hsusb2_stp	gpio_25	mm2_rxdp	hsusb2_tll_stp	-
AG7	NA	etk_d12	-	-	hsusb2_dir	gpio_26	-	hsusb2_tll_dir	-
AH7	NA	etk_d13	-	-	hsusb2_nxt	gpio_27	mm2_rxdm	hsusb2_tll_nxt	-
AG8	NA	etk_d14	-	-	hsusb2_data0	gpio_28	mm2_rxrcv	hsusb2_tll_data0	-
AH8	NA	etk_d15	-	-	hsusb2_data1	gpio_29	mm2_txse0	hsusb2_tll_data1	-

**PRODUCT PREVIEW**
**Table 2-5. Multiplexing Characteristics (CBC Pkg.)**

Ball Bottom	Ball Top	Mode 0	Mode 1	Mode 2	Mode 3	Mode 4	Mode 5	Mode 6	Mode 7
AE16	-	cam_d0	-	-	-	-	gpio_99	-	safe_mode
AE15	-	cam_d1	-	-	-	-	gpio_100	-	safe_mode
AD17	-	-	-	-	-	-	gpio_112	-	safe_mode
AE18	-	-	-	-	-	-	gpio_114	-	safe_mode
AD16	-	-	-	-	-	-	gpio_113	-	safe_mode
AE17	-	-	-	-	-	-	gpio_115	-	safe_mode
-	G20	sdrc_a0	-	-	-	-	-	-	-
-	K20	sdrc_a1	-	-	-	-	-	-	-
-	J20	sdrc_a2	-	-	-	-	-	-	-
-	J21	sdrc_a3	-	-	-	-	-	-	-
-	U21	sdrc_a4	-	-	-	-	-	-	-
-	R20	sdrc_a5	-	-	-	-	-	-	-
-	M21	sdrc_a6	-	-	-	-	-	-	-
-	M20	sdrc_a7	-	-	-	-	-	-	-

**Table 2-5. Multiplexing Characteristics (CBC Pkg.) (continued)**

Ball Bottom	Ball Top	Mode 0	Mode 1	Mode 2	Mode 3	Mode 4	Mode 5	Mode 6	Mode 7
-	N20	sdr_c_a8	-	-	-	-	-	-	-
-	K21	sdr_c_a9	-	-	-	-	-	-	-
-	Y16	sdr_c_a10	-	-	-	-	-	-	-
-	N21	sdr_c_a11	-	-	-	-	-	-	-
-	R21	sdr_c_a12	-	-	-	-	-	-	-
-	AA15	sdr_c_a13	-	-	-	-	-	-	-
-	Y12	sdr_c_a14	-	-	-	-	-	-	-
-	AA18	sdr_c_ba0	-	-	-	-	-	-	-
-	V20	sdr_c_ba1	-	-	-	-	-	-	-
-	Y15	sdr_c_cke0	-	-	-	-	-	-	safe_mode
-	Y13	sdr_c_cke1	-	-	-	-	-	-	safe_mode
-	A12	sdr_c_clk	-	-	-	-	-	-	-
-	D1	sdr_c_d0	-	-	-	-	-	-	-
-	G1	sdr_c_d1	-	-	-	-	-	-	-
-	G2	sdr_c_d2	-	-	-	-	-	-	-
-	E1	sdr_c_d3	-	-	-	-	-	-	-
-	D2	sdr_c_d4	-	-	-	-	-	-	-
-	E2	sdr_c_d5	-	-	-	-	-	-	-
-	B3	sdr_c_d6	-	-	-	-	-	-	-
-	B4	sdr_c_d7	-	-	-	-	-	-	-
-	A10	sdr_c_d8	-	-	-	-	-	-	-
-	B11	sdr_c_d9	-	-	-	-	-	-	-
-	A11	sdr_c_d10	-	-	-	-	-	-	-
-	B12	sdr_c_d11	-	-	-	-	-	-	-
-	A16	sdr_c_d12	-	-	-	-	-	-	-
-	A17	sdr_c_d13	-	-	-	-	-	-	-
-	B17	sdr_c_d14	-	-	-	-	-	-	-
-	B18	sdr_c_d15	-	-	-	-	-	-	-
-	B7	sdr_c_d16	-	-	-	-	-	-	-
-	A5	sdr_c_d17	-	-	-	-	-	-	-
-	B6	sdr_c_d18	-	-	-	-	-	-	-
-	A6	sdr_c_d19	-	-	-	-	-	-	-
-	A8	sdr_c_d20	-	-	-	-	-	-	-
-	B9	sdr_c_d21	-	-	-	-	-	-	-
-	A9	sdr_c_d22	-	-	-	-	-	-	-
-	B10	sdr_c_d23	-	-	-	-	-	-	-
-	C21	sdr_c_d24	-	-	-	-	-	-	-
-	D20	sdr_c_d25	-	-	-	-	-	-	-
-	B19	sdr_c_d26	-	-	-	-	-	-	-
-	C20	sdr_c_d27	-	-	-	-	-	-	-
-	D21	sdr_c_d28	-	-	-	-	-	-	-
--	E20	sdr_c_d29	-	-	-	-	-	-	-
-	E21	sdr_c_d30	-	-	-	-	-	-	-
-	G21	sdr_c_d31	-	-	-	-	-	-	-
-	H1	sdr_c_dm0	-	-	-	-	-	-	-
-	A14	sdr_c_dm1	-	-	-	-	-	-	-

PRODUCT PREVIEW

**Table 2-5. Multiplexing Characteristics (CBC Pkg.) (continued)**

Ball Bottom	Ball Top	Mode 0	Mode 1	Mode 2	Mode 3	Mode 4	Mode 5	Mode 6	Mode 7
-	A4	sdrc_dm2	-	-	-	-	-	-	-
-	A18	sdrc_dm3	-	-	-	-	-	-	-
-	C2	sdrc_dqs0	-	-	-	-	-	-	-
-	B15	sdrc_dqs1	-	-	-	-	-	-	-
-	B8	sdrc_dqs2	-	-	-	-	-	-	-
-	A19	sdrc_dqs3	-	-	-	-	-	-	-
-	U20	sdrc_ncas	-	-	-	-	-	-	-
-	B13	sdrc_nclk	-	-	-	-	-	-	-
-	T21	sdrc_ncs0	-	-	-	-	-	-	-
-	T20	sdrc_ncs1	-	-	-	-	-	-	-
-	V21	sdrc_nras	-	-	-	-	-	-	-
-	Y18	sdrc_nwe	-	-	-	-	-	-	-
AE21	-	dss_data0	dx0	uart1_cts	-	gpio_70	-	-	safe_mode
AE22	-	dss_data1	dy0	uart1_rts	-	gpio_71	-	-	safe_mode
AE23	-	dss_data2	dx1	-	-	gpio_72	-	-	safe_mode
AE24	-	dss_data3	dy1	-	-	gpio_73	-	-	safe_mode
AC26	-	dss_data10	-	-	-	gpio_80	-	-	safe_mode
AD26	-	dss_data11	-	-	-	gpio_81	-	-	safe_mode
AA25	-	dss_data12	-	-	-	gpio_82	-	-	safe_mode
Y25	-	dss_data13	-	-	-	gpio_83	-	-	safe_mode
AA26	-	dss_data14	-	-	-	gpio_84	-	-	safe_mode
AB26	-	dss_data15	-	-	-	gpio_85	-	-	safe_mode
F25	-	dss_data20	-	mcspi3_so mi	dss_data2	gpio_90	-	-	safe_mode
AC25	-	dss_data22	-	mcspi3_cs1	dss_data4	gpio_92	-	-	safe_mode
AB25	-	dss_data23	-	-	dss_data5	gpio_93	-	-	safe_mode
G25	-	dss_pclk	-	-	-	gpio_66	hw_dbg12	-	safe_mode
J2	-	gpmc_a1	-	-	-	gpio_34	-	-	safe_mode
H1	-	gpmc_a2	-	-	-	gpio_35	-	-	safe_mode
H2	-	gpmc_a3	-	-	-	gpio_36	-	-	safe_mode
G2	-	gpmc_a4	-	-	-	gpio_37	-	-	safe_mode
F1	-	gpmc_a5	-	-	-	gpio_38	-	-	safe_mode
F2	-	gpmc_a6	-	-	-	gpio_39	-	-	safe_mode
E1	-	gpmc_a7	-	-	-	gpio_40	-	-	safe_mode
E2	-	gpmc_a8	-	-	-	gpio_41	-	-	safe_mode
D1	-	gpmc_a9	sys_ndmare q2	-	-	gpio_42	-	-	safe_mode
D2	-	gpmc_a10	sys_ndmare q3	-	-	gpio_43	-	-	safe_mode
N1	-	gpmc_clk	-	-	-	gpio_59	-	-	safe_mode
AA2	-	gpmc_d0	-	-	-	-	-	-	-
AA1	-	gpmc_d1	-	-	-	-	-	-	-
AC2	-	gpmc_d2	-	-	-	-	-	-	-
AC1	-	gpmc_d3	-	-	-	-	-	-	-
AE5	-	gpmc_d4	-	-	-	-	-	-	-
AD6	-	gpmc_d5	-	-	-	-	-	-	-
AD5	-	gpmc_d6	-	-	-	-	-	-	-

**Table 2-5. Multiplexing Characteristics (CBC Pkg.) (continued)**

Ball Bottom	Ball Top	Mode 0	Mode 1	Mode 2	Mode 3	Mode 4	Mode 5	Mode 6	Mode 7
AC5	-	gpmc_d7	-	-	-	-	-	-	-
V1	-	gpmc_d8	-	-	-	gpio_44	-	-	safe_mode
Y1	-	gpmc_d9	-	-	-	gpio_45	-	-	safe_mode
T1	-	gpmc_d10	-	-	-	gpio_46	-	-	safe_mode
U2	-	gpmc_d11	-	-	-	gpio_47	-	-	safe_mode
U1	-	gpmc_d12	-	-	-	gpio_48	-	-	safe_mode
P1	-	gpmc_d13	-	-	-	gpio_49	-	-	safe_mode
L2	-	gpmc_d14	-	-	-	gpio_50	-	-	safe_mode
M2	-	gpmc_d15	-	-	-	gpio_51	-	-	safe_mode
AD10	-	gpmc_nadv_ale	-	-	-	-	-	-	-
K2	-	gpmc_nbe0_cle	-	-	-	gpio_60	-	-	safe_mode
J1	-	gpmc_nbe1	-	-	-	gpio_61	-	-	safe_mode
AD8	-	gpmc_ncs0	-	-	-	-	-	-	-
AD1	-	gpmc_ncs1	-	-	-	gpio_52	-	-	safe_mode
A3	-	gpmc_ncs2	-	-	-	gpio_53	-	-	safe_mode
B6	-	gpmc_ncs3	sys_ndmare_q0	-	-	gpio_54	-	-	safe_mode
B4	-	gpmc_ncs4	sys_ndmare_q1	mcbbsp4_clk_x	gpt9_pwm_evt	gpio_55	-	-	safe_mode
C4	-	gpmc_ncs5	sys_ndmare_q2	mcbbsp4_dr	gpt10_pwm_evt	gpio_56	-	-	safe_mode
B5	-	gpmc_ncs6	sys_ndmare_q3	mcbbsp4_dx	gpt11_pwm_evt	gpio_57	-	-	safe_mode
C5	-	gpmc_ncs7	gpmc_io_dir	mcbbsp4_fsx	gpt8_pwm_evt	gpio_58	-	-	safe_mode
N2	-	gpmc_noe	-	-	-	-	-	-	-
M1	-	gpmc_nwe	-	-	-	-	-	-	-
AC6	-	gpmc_nwp	-	-	-	gpio_62	-	-	safe_mode
AC11	-	gpmc_wait0	-	-	-	-	-	-	-
AC8	-	gpmc_wait1	-	-	-	gpio_63	-	-	safe_mode
B3	-	gpmc_wait2	-	-	-	gpio_64	-	-	safe_mode
C6	-	gpmc_wait3	sys_ndmare_q1	-	-	gpio_65	-	-	safe_mode
W19	-	hsusb0_clk	-	-	-	gpio_120	-	-	safe_mode
V20	-	hsusb0_dat_a0	-	uart3_tx_irtx	-	gpio_125	-	-	safe_mode
Y20	-	hsusb0_dat_a1	-	uart3_rx_irrx	-	gpio_130	-	-	safe_mode
V18	-	hsusb0_dat_a2	-	uart3_rts_sd	-	gpio_131	-	-	safe_mode
W20	-	hsusb0_dat_a3	-	uart3_cts_rc_tx	-	gpio_169	-	-	safe_mode
W17	-	hsusb0_dat_a4	-	-	-	gpio_188	-	-	safe_mode
Y18	-	hsusb0_dat_a5	-	-	-	gpio_189	-	-	safe_mode
Y19	-	hsusb0_dat_a6	-	-	-	gpio_190	-	-	safe_mode

PRODUCT PREVIEW

**Table 2-5. Multiplexing Characteristics (CBC Pkg.) (continued)**

Ball Bottom	Ball Top	Mode 0	Mode 1	Mode 2	Mode 3	Mode 4	Mode 5	Mode 6	Mode 7
Y17	-	hsusb0_dat a7	-	-	-	gpio_191	-	-	safe_mode
V19	-	hsusb0_dir	-	-	-	gpio_122	-	-	safe_mode
W18	-	hsusb0_nxt	-	-	-	gpio_124	-	-	safe_mode
U20	-	hsusb0_stp	-	-	-	gpio_121	-	-	safe_mode
U15	-	jtag_nrst	-	-	-	-	-	-	-
W13	-	jtag_rtck	-	-	-	-	-	-	-
V14	-	jtag_tck	-	-	-	-	-	-	-
U16	-	jtag_tdi	-	-	-	-	-	-	-
Y13	-	jtag_tdo	-	-	-	-	-	-	-
V15	-	jtag_tms_tm sc	-	-	-	-	-	-	-
AE19	-	vdd_dsi	-	-	-	-	-	-	-
K20	-	vdd_sram_c ore	-	-	-	-	-	-	-
N9	-	vdd_sram_ mpu_iva	-	-	-	-	-	-	-
K14	-	vdd_wkup	-	-	-	-	-	-	-
	-	vdd_sram_e mu	-	-	-	-	-	-	-
N19	-	mmc1_clk	ms_clk	-	-	gpio_120	-	-	safe_mode
L18	-	mmc1_cmd	ms_bs	-	-	gpio_121	-	-	safe_mode
M19	-	mmc1_dat0	ms_dat0	-	-	gpio_122	-	-	safe_mode
M18	-	mmc1_dat1	ms_dat1	-	-	gpio_123	-	-	safe_mode
K18	-	mmc1_dat2	ms_dat2	-	-	gpio_124	-	-	safe_mode
N20	-	mmc1_dat3	ms_dat3	-	-	gpio_125	-	-	safe_mode
M20	-	mmc1_dat4	-	-	-	gpio_126	-	-	safe_mode
P17	-	mmc1_dat5	-	-	-	gpio_127	-	-	safe_mode
P18	-	mmc1_dat6	-	-	-	gpio_128	-	-	safe_mode
P19	-	mmc1_dat7	-	-	-	gpio_129	-	-	safe_mode
J25	-	i2c1_scl	-	-	-	-	-	-	-
J24	-	i2c1_sda	-	-	-	-	-	-	-
C2	-	i2c2_scl	-	-	-	gpio_168	-	-	safe_mode
C1	-	i2c2_sda	-	-	-	gpio_183	-	-	safe_mode
AB4	-	i2c3_scl	-	-	-	gpio_184	-	-	safe_mode
AC4	-	i2c3_sda	-	-	-	gpio_185	-	-	safe_mode
U19	-	mcbsp1_clk r	mcspi4_clk	-	-	gpio_156	-	-	safe_mode
T17	-	mcbsp1_clk x	-	mcbsp3_clk x	-	gpio_162	-	-	safe_mode
T20	-	mcbsp1_dr	mcspi4_so mi	mcbsp3_dr	-	gpio_159	-	-	safe_mode
U17	-	mcbsp1_dx	mcspi4_sim o	mcbsp3_dx	-	gpio_158	-	-	safe_mode
V17	-	mcbsp1_fsr	-	cam_global _reset	-	gpio_157	-	-	safe_mode
P20	-	mcbsp1_fsx	mcspi4_cs0	mcbsp3_fsx	-	gpio_161	-	-	safe_mode
R18	-	mcbsp2_clk x	-	-	-	gpio_117	-	-	safe_mode
T18	-	mcbsp2_dr	-	-	-	gpio_118	-	-	safe_mode

**PRODUCT PREVIEW**

**Table 2-5. Multiplexing Characteristics (CBC Pkg.) (continued)**

Ball Bottom	Ball Top	Mode 0	Mode 1	Mode 2	Mode 3	Mode 4	Mode 5	Mode 6	Mode 7
R19	-	mcbssp2_dx	-	-	-	gpio_119	-	-	safe_mode
U18	-	mcbssp2_fsx	-	-	-	gpio_116	-	-	safe_mode
P9	-	mcspi1_clk	mmc2_dat4	-	-	gpio_171	-	-	safe_mode
R7	-	mcspi1_cs0	mmc2_dat7	-	-	gpio_174	-	-	safe_mode
R9	-	mcspi1_cs2	-	-	mmc3_clk	gpio_176	-	-	safe_mode
P8	-	mcspi1_sim0	mmc2_dat5	-	-	gpio_172	-	-	safe_mode
P7	-	mcspi1_somi	mmc2_dat6	-	-	gpio_173	-	-	safe_mode
W10	-	mmc2_clk	mcspi3_clk	-	-	gpio_130	-	-	safe_mode
R10	-	mmc2_cmd	mcspi3_sim0	-	-	gpio_131	-	-	safe_mode
T10	-	mmc2_dat0	mcspi3_somi	-	-	gpio_132	-	-	safe_mode
T9	-	mmc2_dat1	-	-	-	gpio_133	-	-	safe_mode
U10	-	mmc2_dat2	mcspi3_cs1	-	-	gpio_134	-	-	safe_mode
U9	-	mmc2_dat3	mcspi3_cs0	-	-	gpio_135	-	-	safe_mode
V10	-	mmc2_dat4	mmc2_dir_dat0	-	mmc3_dat0	gpio_136	-	-	safe_mode
R2	-	uart1_rts	-	-	-	gpio_149	-	-	safe_mode
H3	-	uart1_rx	-	mcbssp1_clk_r	mcspi4_clk	gpio_151	-	-	safe_mode
L4	-	uart1_tx	-	-	-	gpio_148	-	-	safe_mode
Y24	-	uart2_cts	mcbssp3_dx	gpt9_pwm_evt	-	gpio_144	-	-	safe_mode
AA24	-	uart2_rts	mcbssp3_dr	gpt10_pwm_evt	-	gpio_145	-	-	safe_mode
AD21	-	uart2_rx	mcbssp3_fsx	gpt8_pwm_evt	-	gpio_147	-	-	safe_mode
AD22	-	uart2_tx	mcbssp3_clk_x	gpt11_pwm_evt	-	gpio_146	-	-	safe_mode
F23	-	uart3_cts_rctx	-	-	-	gpio_163	-	-	safe_mode
F24	-	uart3_rts_sd	-	-	-	gpio_164	-	-	safe_mode
H24	-	uart3_rx_irtx	-	-	-	gpio_165	-	-	safe_mode
G24	-	uart3_tx_irtx	-	-	-	gpio_166	-	-	safe_mode
J23	-	hdq_sio	sys_altclk	i2c2_sccbe	i2c3_sccbe	gpio_170	-	-	safe_mode
AD15	-	i2c4_scl	sys_nvmode1	-	-	-	-	-	safe_mode
W16	-	i2c4_sda	sys_nvmode2	-	-	-	-	-	safe_mode
F3	-	sys_boot0	-	-	-	gpio_2	-	-	safe_mode
D3	-	sys_boot1	-	-	-	gpio_3	-	-	safe_mode
C3	-	sys_boot2	-	-	-	gpio_4	-	-	safe_mode
E3	-	sys_boot3	-	-	-	gpio_5	-	-	safe_mode
E4	-	sys_boot4	mmc2_dir_dat2	-	-	gpio_6	-	-	safe_mode
G3	-	sys_boot5	mmc2_dir_dat3	-	-	gpio_7	-	-	safe_mode
D4	-	sys_boot6	-	-	-	gpio_8	-	-	safe_mode

PRODUCT PREVIEW



**Table 2-5. Multiplexing Characteristics (CBC Pkg.) (continued)**

Ball Bottom	Ball Top	Mode 0	Mode 1	Mode 2	Mode 3	Mode 4	Mode 5	Mode 6	Mode 7
AE14	-	sys_clkout1	-	-	-	gpio_10	-	-	safe_mode
W11	-	sys_clkout2	-	-	-	gpio_186	-	-	safe_mode
W15	-	sys_clkreq	-	-	-	gpio_1	-	-	safe_mode
V16	-	sys_nirq	-	-	-	gpio_0	-	-	safe_mode
V13	-	sys_nrespwron	-	-	-	-	-	-	-
AD7	-	sys_nreswarm	-	-	-	gpio_30	-	-	safe_mode
V12	-	sys_off_mode	-	-	-	gpio_9	-	-	safe_mode
AF19	-	sys_xtalin	-	-	-	-	-	-	-
D6	-	bg_testout	-	-	-	-	-	-	-
N18	-	pbias_mmc1	-	-	-	-	-	-	-
K23	-	pbias_sim	-	-	-	-	-	-	-
B1	-	sys_ipmcsws	-	-	-	-	-	-	-
A2	-	sys_opmcsws	-	-	-	-	-	-	-
W26	-	tv_out1	-	-	-	-	-	-	-
V26	-	tv_out2	-	-	-	-	-	-	-
W25	-	tv_vfb1	-	-	-	-	-	-	-
U24	-	tv_vfb2	-	-	-	-	-	-	-
V23	-	tv_vref	-	-	-	-	-	-	-
AE20	-	sys_32k	-	-	-	-	-	-	-
A24	-	cam_d2	-	-	-	gpio_101	hw_dbg4	-	safe_mode
B24	-	cam_d3	-	-	-	gpio_102	hw_dbg5	-	safe_mode
D24	-	cam_d4	-	-	-	gpio_103	hw_dbg6	-	safe_mode
C24	-	cam_d5	-	-	-	gpio_104	hw_dbg7	-	safe_mode
D25	-	cam_d10	-	-	-	gpio_109	hw_dbg8	-	safe_mode
E26	-	cam_d11	-	-	-	gpio_110	hw_dbg9	-	safe_mode
B23	-	cam_fld	-	cam_global_reset	-	gpio_98	hw_dbg3	-	safe_mode
C23	-	cam_hs	-	-	-	gpio_94	hw_dbg0	-	safe_mode
C26	-	cam_pclk	-	-	-	gpio_97	hw_dbg2	-	safe_mode
D26	-	cam_strobe	-	-	-	gpio_126	hw_dbg11	-	safe_mode
C25	-	cam_xclka	-	-	-	gpio_96	-	-	safe_mode
E25	-	cam_xclkb	-	-	-	gpio_111	-	-	safe_mode
P25	-	cam_d6	-	-	-	gpio_105	-	-	safe_mode
P26	-	cam_d7	-	-	-	gpio_106	-	-	safe_mode
N25	-	cam_d8	-	-	-	gpio_107	-	-	safe_mode
N26	-	cam_d9	-	-	-	gpio_108	-	-	safe_mode
D23	-	cam_vs	-	-	-	gpio_95	hw_dbg1	-	safe_mode
A23	-	cam_wen	-	cam_shutter	-	gpio_167	hw_dbg10	-	safe_mode
F26	-	dss_acbias	-	-	-	gpio_69	-	-	safe_mode
G26	-	dss_data6	-	uart1_tx	-	gpio_76	hw_dbg14	-	safe_mode
H25	-	dss_data7	-	uart1_rx	-	gpio_77	hw_dbg15	-	safe_mode
H26	-	dss_data8	-	-	-	gpio_78	hw_dbg16	-	safe_mode
J26	-	dss_data9	-	-	-	gpio_79	hw_dbg17	-	safe_mode

**Table 2-5. Multiplexing Characteristics (CBC Pkg.) (continued)**

Ball Bottom	Ball Top	Mode 0	Mode 1	Mode 2	Mode 3	Mode 4	Mode 5	Mode 6	Mode 7
L25	-	dss_data16	-	-	-	gpio_86	-	-	safe_mode
L26	-	dss_data17	-	-	-	gpio_87	-	-	safe_mode
M24	-	dss_data18	-	mcspi3_clk	dss_data0	gpio_88	-	-	safe_mode
M26	-	dss_data19	-	mcspi3_sim0	dss_data1	gpio_89	-	-	safe_mode
N24	-	dss_data21	-	mcspi3_cs0	dss_data3	gpio_91	-	-	safe_mode
K24	-	dss_hsync	-	-	-	gpio_67	hw_dbg13	-	safe_mode
M25	-	dss_vsync	-	-	-	gpio_68	-	-	safe_mode
R8	-	mcspi1_cs1	-	-	mmc3_cmd	gpio_175	-	-	safe_mode
T8	-	mcspi1_cs3	-	hsusb2_tll_data2	hsusb2_data2	gpio_177	mm2_txdat	-	safe_mode
V9	-	mcspi2_cs1	gpt8_pwm_evt	hsusb2_tll_data3	hsusb2_data3	gpio_182	mm2_txen_n	-	safe_mode
T19	-	mcbasp_clks	-	cam_shutter	-	gpio_160	uart1_cts	-	safe_mode
AB2	-	etk_clk	mcbasp5_clkx	mmc3_clk	hsusb1_stp	gpio_12	mm1_rxdp	hsusb1_tll_stp	hw_dbg0
AB3	-	etk_ctl	-	mmc3_cmd	hsusb1_clk	gpio_13	-	hsusb1_tll_clk	hw_dbg1
AC3	-	etk_d0	mcspi3_sim0	mmc3_dat4	hsusb1_data0	gpio_14	mm1_rxcv	hsusb1_tll_data0	hw_dbg2
AD4	-	etk_d1	mcspi3_somi	-	hsusb1_data1	gpio_15	mm1_txse0	hsusb1_tll_data1	hw_dbg3
AD3	-	etk_d2	mcspi3_cs0	-	hsusb1_data2	gpio_16	mm1_txdat	hsusb1_tll_data2	hw_dbg4
AA3	-	etk_d3	mcspi3_clk	mmc3_dat3	hsusb1_data7	gpio_17	-	hsusb1_tll_data7	hw_dbg5
Y3	-	etk_d4	mcbasp5_dr	mmc3_dat0	hsusb1_data4	gpio_18	-	hsusb1_tll_data4	hw_dbg6
AB1	-	etk_d5	mcbasp5_fsx	mmc3_dat1	hsusb1_data5	gpio_19	-	hsusb1_tll_data5	hw_dbg7
AE3	-	etk_d6	mcbasp5_dx	mmc3_dat2	hsusb1_data6	gpio_20	-	hsusb1_tll_data6	hw_dbg8
AD2	-	etk_d7	mcspi3_cs1	mmc3_dat7	hsusb1_data3	gpio_21	mm1_txen_n	hsusb1_tll_data3	hw_dbg9
AA4	-	etk_d8	sys_drm_msecure	mmc3_dat6	hsusb1_dir	gpio_22	-	hsusb1_tll_dir	hw_dbg10
V2	-	etk_d9	sys_secure_indicator	mmc3_dat5	hsusb1_nxt	gpio_23	mm1_rxdm	hsusb1_tll_nxt	hw_dbg11
AE4	-	etk_d10	-	uart1_rx	hsusb2_clk	gpio_24	-	hsusb2_tll_clk	hw_dbg12
AF6	-	etk_d11	-	-	hsusb2_stp	gpio_25	mm2_rxdp	hsusb2_tll_stp	hw_dbg13
AE6	-	etk_d12	-	-	hsusb2_dir	gpio_26	-	hsusb2_tll_dir	hw_dbg14
AF7	-	etk_d13	-	-	hsusb2_nxt	gpio_27	mm2_rxdm	hsusb2_tll_nxt	hw_dbg15
AF9	-	etk_d14	-	-	hsusb2_data0	gpio_28	mm2_rxcv	hsusb2_tll_data0	hw_dbg16
AE9	-	etk_d15	-	-	hsusb2_data1	gpio_29	mm2_txse0	hsusb2_tll_data1	hw_dbg17
Y15	-	jtag_emu0	-	-	-	gpio_11	-	-	safe_mode
Y14	-	jtag_emu1	-	-	-	gpio_31	-	-	safe_mode

PRODUCT PREVIEW

**Table 2-5. Multiplexing Characteristics (CBC Pkg.) (continued)**

Ball Bottom	Ball Top	Mode 0	Mode 1	Mode 2	Mode 3	Mode 4	Mode 5	Mode 6	Mode 7
U3	-	mcbsp3_clkx	uart2_tx	-	-	gpio_142	hsusb3_tll_data6	-	safe_mode
N3	-	mcbsp3_dr	uart2_rts	-	-	gpio_141	hsusb3_tll_data5	-	safe_mode
P3	-	mcbsp3_dx	uart2_cts	-	-	gpio_140	hsusb3_tll_data4	-	safe_mode
W3	-	mcbsp3_fsx	uart2_rx	-	-	gpio_143	hsusb3_tll_data7	-	safe_mode
V3	-	mcbsp4_clkx	-	-	-	gpio_152	hsusb3_tll_data1	mm3_txse0	safe_mode
U4	-	mcbsp4_dr	-	-	-	gpio_153	hsusb3_tll_data0	mm3_rxrcv	safe_mode
R3	-	mcbsp4_dx	-	-	-	gpio_154	hsusb3_tll_data2	mm3_txdat	safe_mode
T3	-	mcbsp4_fsx	-	-	-	gpio_155	hsusb3_tll_data3	mm3_txen_n	safe_mode
M3	-	mmc2_dat5	mmc2_dir_dat1	cam_global_reset	mmc3_dat1	gpio_137	hsusb3_tll_stp	mm3_rxdp	safe_mode
L3	-	mmc2_dat6	mmc2_dir_cmd	cam_shutter	mmc3_dat2	gpio_138	hsusb3_tll_dir	-	safe_mode
K3	-	mmc2_dat7	mmc2_clkln	-	mmc3_dat3	gpio_139	hsusb3_tll_nxt	mm3_rxdm	safe_mode
W2	-	uart1_cts	-	-	-	gpio_150	hsusb3_tll_clk	-	safe_mode

**PRODUCT PREVIEW**

**Table 2-6. Multiplexing Characteristics (CUS Pkg.)<sup>(1)</sup>**

Ball Bottom	Mode 0	Mode 1	Mode 2	Mode 3	Mode 4	Mode 5	Mode 6	Mode 7
D7	sdrc_d0	-	-	-	-	-	-	-
C5	sdrc_d1	-	-	-	-	-	-	-
C6	sdrc_d2	-	-	-	-	-	-	-
B5	sdrc_d3	-	-	-	-	-	-	-
D9	sdrc_d4	-	-	-	-	-	-	-
D10	sdrc_d5	-	-	-	-	-	-	-
C7	sdrc_d6	-	-	-	-	-	-	-
B7	sdrc_d7	-	-	-	-	-	-	-
B11	sdrc_d8	-	-	-	-	-	-	-
C12	sdrc_d9	-	-	-	-	-	-	-
B12	sdrc_d10	-	-	-	-	-	-	-
D13	sdrc_d11	-	-	-	-	-	-	-
C13	sdrc_d12	-	-	-	-	-	-	-
B14	sdrc_d13	-	-	-	-	-	-	-
A14	sdrc_d14	-	-	-	-	-	-	-
B15	sdrc_d15	-	-	-	-	-	-	-
C9	sdrc_d16	-	-	-	-	-	-	-
E12	sdrc_d17	-	-	-	-	-	-	-
B8	sdrc_d18	-	-	-	-	-	-	-
B9	sdrc_d19	-	-	-	-	-	-	-
C10	sdrc_d20	-	-	-	-	-	-	-
B10	sdrc_d21	-	-	-	-	-	-	-
D12	sdrc_d22	-	-	-	-	-	-	-
E13	sdrc_d23	-	-	-	-	-	-	-
E15	sdrc_d24	-	-	-	-	-	-	-
D15	sdrc_d25	-	-	-	-	-	-	-
C15	sdrc_d26	-	-	-	-	-	-	-
B16	sdrc_d27	-	-	-	-	-	-	-
C16	sdrc_d28	-	-	-	-	-	-	-
D16	sdrc_d29	-	-	-	-	-	-	-
B17	sdrc_d30	-	-	-	-	-	-	-
B18	sdrc_d31	-	-	-	-	-	-	-
C18	sdrc_ba0	-	-	-	-	-	-	-
D18	sdrc_ba1	-	-	-	-	-	-	-
A4	sdrc_a0	-	-	-	-	-	-	-
B4	sdrc_a1	-	-	-	-	-	-	-
D6	sdrc_a2	-	-	-	-	-	-	-
B3	sdrc_a3	-	-	-	-	-	-	-
B2	sdrc_a4	-	-	-	-	-	-	-
C3	sdrc_a5	-	-	-	-	-	-	-
E3	sdrc_a6	-	-	-	-	-	-	-
F6	sdrc_a7	-	-	-	-	-	-	-
E10	sdrc_a8	-	-	-	-	-	-	-
E9	sdrc_a9	-	-	-	-	-	-	-
E7	sdrc_a10	-	-	-	-	-	-	-

(1) NA in table stands for Not Applicable.

**Table 2-6. Multiplexing Characteristics (CUS Pkg.) (continued)**

Ball Bottom	Mode 0	Mode 1	Mode 2	Mode 3	Mode 4	Mode 5	Mode 6	Mode 7
G6	sdrc_a11	-	-	-	-	-	-	-
G7	sdrc_a12	-	-	-	-	-	-	-
F7	sdrc_a13	-	-	-	-	-	-	-
F9	sdrc_a14	-	-	-	-	-	-	-
A19	sdrc_ncs0	-	-	-	-	-	-	-
B19	sdrc_ncs1	-	-	-	-	-	-	-
A10	sdrc_clk	-	-	-	-	-	-	-
A11	sdrc_nclk	-	-	-	-	-	-	-
B20	sdrc_cke0	-	-	-	-	-	-	safe_mode
C20	sdrc_cke1	-	-	-	-	-	-	safe_mode
D19	sdrc_nras	-	-	-	-	-	-	-
C19	sdrc_ncas	-	-	-	-	-	-	-
A20	sdrc_nwe	-	-	-	-	-	-	-
B6	sdrc_dm0	-	-	-	-	-	-	-
B13	sdrc_dm1	-	-	-	-	-	-	-
A7	sdrc_dm2	-	-	-	-	-	-	-
A16	sdrc_dm3	-	-	-	-	-	-	-
A5	sdrc_dqs0	-	-	-	-	-	-	-
A13	sdrc_dqs1	-	-	-	-	-	-	-
A8	sdrc_dqs2	-	-	-	-	-	-	-
A17	sdrc_dqs3	-	-	-	-	-	-	-
K4	gpmc_a1	-	-	-	gpio_34	-	-	safe_mode
K3	gpmc_a2	-	-	-	gpio_35	-	-	safe_mode
K2	gpmc_a3	-	-	-	gpio_36	-	-	safe_mode
J4	gpmc_a4	-	-	-	gpio_37	-	-	safe_mode
J3	gpmc_a5	-	-	-	gpio_38	-	-	safe_mode
J2	gpmc_a6	-	-	-	gpio_39	-	-	safe_mode
J1	gpmc_a7	-	-	-	gpio_40	-	-	safe_mode
H1	gpmc_a8	-	-	-	gpio_41	-	-	safe_mode
H2	gpmc_a9	sys_ ndmareq2	-	-	gpio_42	-	-	safe_mode
G2	gpmc_a10	sys_ ndmareq3	-	-	gpio_43	-	-	safe_mode
L2	gpmc_d0	-	-	-	-	-	-	-
M1	gpmc_d1	-	-	-	-	-	-	-
M2	gpmc_d2	-	-	-	-	-	-	-
N2	gpmc_d3	-	-	-	-	-	-	-
M3	gpmc_d4	-	-	-	-	-	-	-
P1	gpmc_d5	-	-	-	-	-	-	-
P2	gpmc_d6	-	-	-	-	-	-	-
R1	gpmc_d7	-	-	-	-	-	-	-
R2	gpmc_d8	-	-	-	gpio_44	-	-	safe_mode
T2	gpmc_d9	-	-	-	gpio_45	-	-	safe_mode
U1	gpmc_d10	-	-	-	gpio_46	-	-	safe_mode
R3	gpmc_d11	-	-	-	gpio_47	-	-	safe_mode
T3	gpmc_d12	-	-	-	gpio_48	-	-	safe_mode
U2	gpmc_d13	-	-	-	gpio_49	-	-	safe_mode

**PRODUCT PREVIEW**

**Table 2-6. Multiplexing Characteristics (CUS Pkg.) (continued)**

Ball Bottom	Mode 0	Mode 1	Mode 2	Mode 3	Mode 4	Mode 5	Mode 6	Mode 7
V1	gpmc_d14	-	-	-	gpio_50	-	-	safe_mode
V2	gpmc_d15	-	-	-	gpio_51	-	-	safe_mode
E2	gpmc_ncs0	-	-	-	-	-	-	-
D2	gpmc_ncs3	sys_ndmareq0	-	-	gpio_54	-	-	safe_mode
F4	gpmc_ncs4	sys_ndmareq1	mcbasp4_clkx	gpt9_pwm_evt	gpio_55	-	-	safe_mode
G5	gpmc_ncs5	sys_ndmareq2	mcbasp4_dr	gpt10_pwm_evt	gpio_56	-	-	safe_mode
F3	gpmc_ncs6	sys_ndmareq3	mcbasp4_dx	gpt11_pwm_evt	gpio_57	-	-	safe_mode
G4	gpmc_ncs7	gpmc_io_dir	mcbasp4_fsx	gpt8_pwm_evt	gpio_58	-	-	safe_mode
W2	gpmc_clk	-	-	-	gpio_59	-	-	safe_mode
F1	gpmc_nadv_a le	-	-	-	-	-	-	-
F2	gpmc_noe	-	-	-	-	-	-	-
G3	gpmc_nwe	-	-	-	-	-	-	-
K5	gpmc_nbe0_c le	-	-	-	gpio_60	-	-	safe_mode
L1	gpmc_nbe1	-	-	-	gpio_61	-	-	safe_mode
E1	gpmc_nwp	-	-	-	gpio_62	-	-	safe_mode
C1	gpmc_wait0	-	-	-	-	-	-	-
C2	gpmc_wait3	sys_ndmareq1	-	-	gpio_65	-	-	safe_mode
G22	dss_pclk	-	-	-	gpio_66	-	-	safe_mode
E22	dss_hsync	-	-	-	gpio_67	-	-	safe_mode
F22	dss_vsync	-	-	-	gpio_68	-	-	safe_mode
J21	dss_acbias	-	-	-	gpio_69	-	-	safe_mode
AC19	dss_data0	-	uart1_cts	-	gpio_70	-	-	safe_mode
AB19	dss_data1	-	uart1_rts	-	gpio_71	-	-	safe_mode
AD20	dss_data2	-	-	-	gpio_72	-	-	safe_mode
AC20	dss_data3	-	-	-	gpio_73	-	-	safe_mode
AD21	dss_data4	-	uart3_rx_irrx	-	gpio_74	-	-	safe_mode
AC21	dss_data5	-	uart3_tx_irtx	-	gpio_75	-	-	safe_mode
D24	dss_data6	-	uart1_tx	-	gpio_76	-	-	safe_mode
E23	dss_data7	-	uart1_rx	-	gpio_77	-	-	safe_mode
E24	dss_data8	-	-	-	gpio_78	-	-	safe_mode
F23	dss_data9	-	-	-	gpio_79	-	-	safe_mode
AC22	dss_data10	-	-	-	gpio_80	-	-	safe_mode
AC23	dss_data11	-	-	-	gpio_81	-	-	safe_mode
AB22	dss_data12	-	-	-	gpio_82	-	-	safe_mode
Y22	dss_data13	-	-	-	gpio_83	-	-	safe_mode
W22	dss_data14	-	-	-	gpio_84	-	-	safe_mode
V22	dss_data15	-	-	-	gpio_85	-	-	safe_mode
J22	dss_data16	-	-	-	gpio_86	-	-	safe_mode
G23	dss_data17	-	-	-	gpio_87	-	-	safe_mode
G24	dss_data18	-	mcspi3_clk	dss_data0	gpio_88	-	-	safe_mode
H23	dss_data19	-	mcspi3_simo	dss_data1	gpio_89	-	-	safe_mode

PRODUCT PREVIEW

**Table 2-6. Multiplexing Characteristics (CUS Pkg.) (continued)**

Ball Bottom	Mode 0	Mode 1	Mode 2	Mode 3	Mode 4	Mode 5	Mode 6	Mode 7
D23	dss_data20	-	mcspi3_somi	dss_data2	gpio_90	-	-	safe_mode
K22	dss_data21	-	mcspi3_cs0	dss_data3	gpio_91	-	-	safe_mode
V21	dss_data22	-	mcspi3_cs1	dss_data4	gpio_92	-	-	safe_mode
W21	dss_data23	-	-	dss_data5	gpio_93	-	-	safe_mode
AA23	tv_out2	-	-	-	-	-	-	-
AB24	tv_out1	-	-	-	-	-	-	-
AB23	tv_vfb1	-	-	-	-	-	-	-
Y23	tv_vfb2	-	-	-	-	-	-	-
Y24	tv_vref	-	-	-	-	-	-	-
A22	cam_hs	-	-	-	gpio_94	-	-	safe_mode
E18	cam_vs	-	-	-	gpio_95	-	-	safe_mode
B22	cam_xclka	-	-	-	gpio_96	-	-	safe_mode
J19	cam_pclk	-	-	-	gpio_97	-	-	safe_mode
H24	cam_fld	-	cam_global_r eset	-	gpio_98	-	-	safe_mode
AB18	cam_d0	-	-	-	gpio_99	-	-	safe_mode
AC18	cam_d1	-	-	-	gpio_100	-	-	safe_mode
G19	cam_d2	-	-	-	gpio_101	-	-	safe_mode
F19	cam_d3	-	-	-	gpio_102	-	-	safe_mode
G20	cam_d4	-	-	-	gpio_103	-	-	safe_mode
B21	cam_d5	-	-	-	gpio_104	-	-	safe_mode
L24	cam_d6	-	-	-	gpio_105	-	-	safe_mode
K24	cam_d7	-	-	-	gpio_106	-	-	safe_mode
J23	cam_d8	-	-	-	gpio_107	-	-	safe_mode
K23	cam_d9	-	-	-	gpio_108	-	-	safe_mode
F21	cam_d10	-	-	-	gpio_109	-	-	safe_mode
G21	cam_d11	-	-	-	gpio_110	-	-	safe_mode
C22	cam_xclkb	-	-	-	gpio_111	-	-	safe_mode
F18	cam_wen	-	cam_shutter	-	gpio_167	-	-	safe_mode
J20	cam_strobe	-	-	-	gpio_126	-	-	safe_mode
V20	mcbasp2_fsx	-	-	-	gpio_116	-	-	safe_mode
T21	mcbasp2_clkx	-	-	-	gpio_117	-	-	safe_mode
V19	mcbasp2_dr	-	-	-	gpio_118	-	-	safe_mode
R20	mcbasp2_dx	-	-	-	gpio_119	-	-	safe_mode
M23	mmc1_clk	-	-	-	gpio_120	-	-	safe_mode
L23	mmc1_cmd	-	-	-	gpio_121	-	-	safe_mode
M22	mmc1_dat0	-	-	-	gpio_122	-	-	safe_mode
M21	mmc1_dat1	-	-	-	gpio_123	-	-	safe_mode
M20	mmc1_dat2	-	-	-	gpio_124	-	-	safe_mode
N23	mmc1_dat3	-	-	-	gpio_125	-	-	safe_mode
N22	mmc1_dat4	-	-	-	gpio_126	-	-	safe_mode
N21	mmc1_dat5	-	-	-	gpio_127	-	-	safe_mode
N20	mmc1_dat6	-	-	-	gpio_128	-	-	safe_mode
P24	mmc1_dat7	-	-	-	gpio_129	-	-	safe_mode
Y1	mmc2_clk	mcspi3_clk	-	-	gpio_130	-	-	safe_mode
AB5	mmc2_cmd	mcspi3_simo	-	-	gpio_131	-	-	safe_mode
AB3	mmc2_dat0	mcspi3_somi	-	-	gpio_132	-	-	safe_mode

**PRODUCT PREVIEW**

**Table 2-6. Multiplexing Characteristics (CUS Pkg.) (continued)**

Ball Bottom	Mode 0	Mode 1	Mode 2	Mode 3	Mode 4	Mode 5	Mode 6	Mode 7
Y3	mmc2_dat1	-	-	-	gpio_133	-	-	safe_mode
W3	mmc2_dat2	mcspi3_cs1	-	-	gpio_134	-	-	safe_mode
V3	mmc2_dat3	mcspi3_cs0	-	-	gpio_135	-	-	safe_mode
AB2	mmc2_dat4	mmc2_dir_dat0	-	mmc3_dat0	gpio_136	-	-	safe_mode
AA2	mmc2_dat5	mmc2_dir_dat1	cam_global_reset	mmc3_dat1	gpio_137	-	-	safe_mode
Y2	mmc2_dat6	mmc2_dir_cmd	cam_shutter	mmc3_dat2	gpio_138	-	-	safe_mode
AA1	mmc2_dat7	mmc2_clk	-	mmc3_dat3	gpio_139	-	-	safe_mode
V6	mcbbsp3_dx	uart2_cts	-	-	gpio_140	-	-	safe_mode
V5	mcbbsp3_dr	uart2_rts	-	-	gpio_141	-	-	safe_mode
W4	mcbbsp3_clkx	uart2_tx	-	-	gpio_142	-	-	safe_mode
V4	mcbbsp3_fsx	uart2_rx	-	-	gpio_143	-	-	safe_mode
W7	uart1_tx	-	-	-	gpio_148	-	-	safe_mode
W6	uart1_rts	-	-	-	gpio_149	-	-	safe_mode
AC2	uart1_cts	-	-	-	gpio_150	-	-	safe_mode
V7	uart1_rx	-	mcbbsp1_clkr	mcspi4_clk	gpio_151	-	-	safe_mode
W19	mcbbsp1_clkr	mcspi4_clk	-	-	gpio_156	-	-	safe_mode
AB20	mcbbsp1_fsr	-	cam_global_reset	-	gpio_157	-	-	safe_mode
W18	mcbbsp1_dx	mcspi4_simo	mcbbsp3_dx	-	gpio_158	-	-	safe_mode
Y18	mcbbsp1_dr	mcspi4_somi	mcbbsp3_dr	-	gpio_159	-	-	safe_mode
AA18	mcbbsp_clks	-	cam_shutter	-	gpio_160	uart1_cts	-	safe_mode
AA19	mcbbsp1_fsx	mcspi4_cs0	mcbbsp3_fsx	-	gpio_161	-	-	safe_mode
V18	mcbbsp1_clkx	-	mcbbsp3_clkx	-	gpio_162	-	-	safe_mode
A23	uart3_cts_rctx	-	-	-	gpio_163	-	-	safe_mode
B23	uart3_rts_sd	-	-	-	gpio_164	-	-	safe_mode
B24	uart3_rx_irrx	-	-	-	gpio_165	-	-	safe_mode
C23	uart3_tx_irtx	-	-	-	gpio_166	-	-	safe_mode
R21	hsusb0_clk	-	-	-	gpio_120	-	-	safe_mode
R23	hsusb0_stp	-	-	-	gpio_121	-	-	safe_mode
P23	hsusb0_dir	-	-	-	gpio_122	-	-	safe_mode
R22	hsusb0_nxt	-	-	-	gpio_124	-	-	safe_mode
T24	hsusb0_data0	-	uart3_tx_irtx	-	gpio_125	-	-	safe_mode
T23	hsusb0_data1	-	uart3_rx_irrx	-	gpio_130	-	-	safe_mode
U24	hsusb0_data2	-	uart3_rts_sd	-	gpio_131	-	-	safe_mode
U23	hsusb0_data3	-	uart3_cts_rctx	-	gpio_169	-	-	safe_mode
W24	hsusb0_data4	-	-	-	gpio_188	-	-	safe_mode
V23	hsusb0_data5	-	-	-	gpio_189	-	-	safe_mode
W23	hsusb0_data6	-	-	-	gpio_190	-	-	safe_mode
T22	hsusb0_data7	-	-	-	gpio_191	-	-	safe_mode

PRODUCT PREVIEW



**Table 2-6. Multiplexing Characteristics (CUS Pkg.) (continued)**

Ball Bottom	Mode 0	Mode 1	Mode 2	Mode 3	Mode 4	Mode 5	Mode 6	Mode 7
K20	i2c1_scl	-	-	-	-	-	-	-
K21	i2c1_sda	-	-	-	-	-	-	-
AC15	i2c2_scl	-	-	-	gpio_168	-	-	safe_mode
AC14	i2c2_sda	-	-	-	gpio_183	-	-	safe_mode
AC13	i2c3_scl	-	-	-	gpio_184	-	-	safe_mode
AC12	i2c3_sda	-	-	-	gpio_185	-	-	safe_mode
Y16	i2c4_scl	sys_nvmode1	-	-	-	-	-	safe_mode
Y15	i2c4_sda	sys_nvmode2	-	-	-	-	-	safe_mode
A24	hdq_sio	sys_altclk	i2c2_sccbe	i2c3_sccbe	gpio_170	-	-	safe_mode
T5	mcspi1_clk	mmc2_dat4	-	-	gpio_171	-	-	safe_mode
R4	mcspi1_simo	mmc2_dat5	-	-	gpio_172	-	-	safe_mode
T4	mcspi1_somi	mmc2_dat6	-	-	gpio_173	-	-	safe_mode
T6	mcspi1_cs0	mmc2_dat7	-	-	gpio_174	-	-	safe_mode
R5	mcspi1_cs3	-	hsusb2_tll_data2	hsusb2_data2	gpio_177	mm2_txdat	-	safe_mode
N5	mcspi2_clk	-	hsusb2_tll_data7	hsusb2_data7	gpio_178	-	-	safe_mode
N4	mcspi2_simo	gpt9_pwm_evt	hsusb2_tll_data4	hsusb2_data4	gpio_179	-	-	safe_mode
N3	mcspi2_somi	gpt10_pwm_evt	hsusb2_tll_data5	hsusb2_data5	gpio_180	-	-	safe_mode
M5	mcspi2_cs0	gpt11_pwm_evt	hsusb2_tll_data6	hsusb2_data6	gpio_181	-	-	safe_mode
M4	mcspi2_cs1	gpt8_pwm_evt	hsusb2_tll_data3	hsusb2_data3	gpio_182	mm2_txen_n	-	safe_mode
AA16	sys_32k	-	-	-	-	-	-	-
AD15	sys_xtalin	-	-	-	-	-	-	-
AD14	sys_xtalout	-	-	-	-	-	-	-
Y13	sys_clkreq	-	-	-	gpio_1	-	-	safe_mode
W16	sys_nirq	-	-	-	gpio_0	-	-	safe_mode
AA10	sys_nrespwrn	-	-	-	-	-	-	-
Y10	sys_nreswarm	-	-	-	gpio_30	-	-	safe_mode
AB12	sys_boot0	-	-	-	gpio_2	-	-	safe_mode
AC16	sys_boot1	-	-	-	gpio_3	-	-	safe_mode
AD17	sys_boot2	-	-	-	gpio_4	-	-	safe_mode
AD18	sys_boot3	-	-	-	gpio_5	-	-	safe_mode
AC17	sys_boot4	mmc2_dir_dat2	-	-	gpio_6	-	-	safe_mode
AB16	sys_boot5	mmc2_dir_dat3	-	-	gpio_7	-	-	safe_mode
AA15	sys_boot6	-	-	-	gpio_8	-	-	safe_mode
AD23	sys_off_mode	-	-	-	gpio_9	-	-	safe_mode
Y7	sys_clkout1	-	-	-	gpio_10	-	-	safe_mode
AA6	sys_clkout2	-	-	-	gpio_186	-	-	safe_mode
A1	sys_ipmcsws	-	-	-	-	-	-	-

**PRODUCT PREVIEW**

**Table 2-6. Multiplexing Characteristics (CUS Pkg.) (continued)**

Ball Bottom	Mode 0	Mode 1	Mode 2	Mode 3	Mode 4	Mode 5	Mode 6	Mode 7
A2	sys_opmcsws	-	-	-	-	-	-	-
AB7	jtag_nrst	-	-	-	-	-	-	-
AB6	jtag_tck	-	-	-	-	-	-	-
AA7	jtag_rtck	-	-	-	-	-	-	-
AA9	jtag_tms_tmsc	-	-	-	-	-	-	-
AB10	jtag_tdi	-	-	-	-	-	-	-
AB9	jtag_tdo	-	-	-	-	-	-	-
AC24	jtag_emu0	-	-	-	gpio_11	-	-	safe_mode
AD24	jtag_emu1	-	-	-	gpio_31	-	-	safe_mode
AC1	etk_clk	mcbsp5_clkx	mmc3_clk	hsusb1_stp	gpio_12	mm1_rxdp	hsusb1_tll_stp	-
AD3	etk_ctl	-	mmc3_cmd	hsusb1_clk	gpio_13	-	hsusb1_tll_clk	-
AD6	etk_d0	mcspi3_simo	mmc3_dat4	hsusb1_data0	gpio_14	mm1_rxcv	hsusb1_tll_data0	-
AC6	etk_d1	mcspi3_somi	-	hsusb1_data1	gpio_15	mm1_txse0	hsusb1_tll_data1	-
AC7	etk_d2	mcspi3_cs0	-	hsusb1_data2	gpio_16	mm1_txdat	hsusb1_tll_data2	-
AD8	etk_d3	mcspi3_clk	mmc3_dat3	hsusb1_data7	gpio_17	-	hsusb1_tll_data7	-
AC5	etk_d4	mcbsp5_dr	mmc3_dat0	hsusb1_data4	gpio_18	-	hsusb1_tll_data4	-
AD2	etk_d5	mcbsp5_fsx	mmc3_dat1	hsusb1_data5	gpio_19	-	hsusb1_tll_data5	-
AC8	etk_d6	mcbsp5_dx	mmc3_dat2	hsusb1_data6	gpio_20	-	hsusb1_tll_data6	-
AD9	etk_d7	mcspi3_cs1	mmc3_dat7	hsusb1_data3	gpio_21	mm1_txen_n	hsusb1_tll_data3	-
AC4	etk_d8	sys_drm_msecure	mmc3_dat6	hsusb1_dir	gpio_22	-	hsusb1_tll_dir	-
AD5	etk_d9	sys_secure_indicator	mmc3_dat5	hsusb1_nxt	gpio_23	mm1_rxdm	hsusb1_tll_nxt	-
AC3	etk_d10	-	uart1_rx	hsusb2_clk	gpio_24	-	hsusb2_tll_clk	-
AC9	etk_d11	-	-	hsusb2_stp	gpio_25	mm2_rxdp	hsusb2_tll_stp	-
AC10	etk_d12	-	-	hsusb2_dir	gpio_26	-	hsusb2_tll_dir	-
AD11	etk_d13	-	-	hsusb2_nxt	gpio_27	mm2_rxdm	hsusb2_tll_nxt	-
AC11	etk_d14	-	-	hsusb2_data0	gpio_28	mm2_rxcv	hsusb2_tll_data0	-
AD12	etk_d15	-	-	hsusb2_data1	gpio_29	mm2_txse0	hsusb2_tll_data1	-

PRODUCT PREVIEW

## 2.4 Signal Description

Many signals are available on multiple pins according to the software configuration of the pin multiplexing options.

1. **SIGNAL NAME:** The signal name
2. **DESCRIPTION:** Description of the signal
3. **TYPE:** Type = Ball type for this specific function:
  - I = Input
  - O = Output
  - Z = High-impedance
  - D = Open Drain
  - DS = Differential
  - A = Analog
4. **BALL BOTTOM:** Associated ball(s) bottom
5. **BALL TOP:** Associated ball(s) top
6. **SUBSYSTEM PIN MULTIPLEXING:** Contains a list of the pin multiplexing options at the module/subsystem level. The pin function is selected at the module/system level.

**Note:** The Subsystem Multiplexing Signals are not described in [Table 2-1](#) through [Table 2-6](#).

### 2.4.1 External Memory Interfaces

**Table 2-7. External Memory Interfaces – GPMC Signals Description**

SIGNAL NAME [1]	DESCRIPTION [2]	TYPE [3]	BALL BOTTOM (CBB Pkg.) [4]	BALL TOP (CBB Pkg.) [5]	BALL BOTTOM (CBC Pkg.) [4]	BALL TOP (CBC Pkg.) [5]	BALL BOTTOM (CUS Pkg.) [4]	SUBSYSTEM PIN MULTIPLEXING [6]
gpmc_a1	General-purpose memory address bit 1	O	N4 / K1	AC15 / M2	J2 / AA2	- / U2	K4/ L2	gpmc_a17/ gpmc_d0
gpmc_a2	General-purpose memory address bit 2	O	M4 / L1	AB15 / M1	H1 / AA1	- / U1	K3/ M1	gpmc_a18/ gpmc_d1
gpmc_a3	General-purpose memory address bit 3	O	L4 / L2	AC16 / N2	H2 / AC2	- / V2	K2/ M2	gpmc_a19/ gpmc_d2
gpmc_a4	General-purpose memory address bit 4	O	K4 / P2	AB16 / N1	G2 / AC1	- / V1	J4/ N2	gpmc_a20/ gpmc_d3
gpmc_a5	General-purpose memory address bit 5	O	T3 / T1	AC17 / R2	F1 / AE5	- / AA3	J3/ M3	gpmc_a21/ gpmc_d4
gpmc_a6	General-purpose memory address bit 6	O	R3 / V1	AB17 / R1	F2 / AD6	- / AA4	J2/ P1	gpmc_a22/ gpmc_d5
gpmc_a7	General-purpose memory address bit 7	O	N3 / V2	AC18 / T2	E1 / AD5	- / Y3	J1/ P2	gpmc_a23/ gpmc_d6
gpmc_a8	General-purpose memory address bit 8	O	M3 / W2	AB18 / T1	E2 / AC5	- / Y4	H1/ R1	gpmc_a24/ gpmc_d7
gpmc_a9	General-purpose memory address bit 9	O	L3 / H2	AC19 / AB3	D1 / V1	- / R1	H2/ R2	gpmc_a25/ gpmc_d8
gpmc_a10	General-purpose memory address bit 10	O	K3 / K2	AB19 / AC3	D2 / Y1	- / T1	G2/ T2	gpmc_a26/ gpmc_d9
gpmc_a11	General-purpose memory address bit 11	O	P1	AB4	T1	N1	U1	gpmc_d10
gpmc_a12	General-purpose memory address bit 12	O	R1	AC4	U2	P2	R3	gpmc_d11
gpmc_a13	General-purpose memory address bit 13	O	R2	AB6	U1	P1	T3	gpmc_d12
gpmc_a14	General-purpose memory address bit 14	O	T2	AC6	P1	M1	U2	gpmc_d13

**Table 2-7. External Memory Interfaces – GPMC Signals Description (continued)**

SIGNAL NAME [1]	DESCRIPTION [2]	TYPE [3]	BALL BOTTOM (CBB Pkg.) [4]	BALL TOP (CBB Pkg.) [5]	BALL BOTTOM (CBC Pkg.) [4]	BALL TOP (CBC Pkg.) [5]	BALL BOTTOM (CUS Pkg.) [4]	SUBSYSTEM PIN MULTIPLEXING [6]
gpmc_a15	General-purpose memory address bit 15	O	W1	AB7	L2	J2	V1	gpmc_d14
gpmc_a16	General-purpose memory address bit 16	O	Y1	AC7	M2	K2	V2	gpmc_d15
gpmc_a17	General-purpose memory address bit 17	O	N4	AC15	J2	-	K4	gpmc_a1
gpmc_a18	General-purpose memory address bit 18	O	M4	AB15	H1	-	K3	gpmc_a2
gpmc_a19	General-purpose memory address bit 19	O	L4	AC16	H2	-	K2	gpmc_a3
gpmc_a20	General-purpose memory address bit 20	O	K4	AB16	G2	-	J4	gpmc_a4
gpmc_a21	General-purpose memory address bit 21	O	T3	AC17	F1	-	J3	gpmc_a5
gpmc_a22	General-purpose memory address bit 22	O	R3	AB17	F2	-	J2	gpmc_a6
gpmc_a23	General-purpose memory address bit 23	O	N3	AC18	E1	-	J1	gpmc_a7
gpmc_a24	General-purpose memory address bit 24	O	M3	AB18	E2	-	H1	gpmc_a8
gpmc_a25	General-purpose memory address bit 25	O	L3	AC19	D1	-	H2	gpmc_a9
gpmc_a26	General-purpose memory address bit 26	O	K3	AB19	D2	-	G2	gpmc_a10
gpmc_d0	GPMC Data bit 0	IO	K1	M2	AA1	U2	L2	gpmc_a1/ gpmc_d0
gpmc_d1	GPMC Data bit 1	IO	L1	M1	AA1	U1	M1	gpmc_a2/ gpmc_d1
gpmc_d2	GPMC Data bit 2	IO	L2	N2	AC2	V2	M2	gpmc_a3/ gpmc_d2
gpmc_d3	GPMC Data bit 3	IO	P2	N1	AC1	V1	N2	gpmc_a4/ gpmc_d3
gpmc_d4	GPMC Data bit 4	IO	T1	R2	AE5	AA3	M3	gpmc_a5/ gpmc_d4
gpmc_d5	GPMC Data bit 5	IO	V1	R1	AD6	AA4	P1	gpmc_a6/ gpmc_d5
gpmc_d6	GPMC Data bit 6	IO	V2	T2	AD5	Y3	P2	gpmc_a7/ gpmc_d6
gpmc_d7	GPMC Data bit 7	IO	W2	T1	AC5	Y4	R1	gpmc_a8/ gpmc_d7
gpmc_d8	GPMC Data bit 8	IO	H2	AB3	V1	R1	R2	gpmc_a9/ gpmc_d8
gpmc_d9	GPMC Data bit 9	IO	K2	AC3	Y1	T1	T2	gpmc_a10/ gpmc_d9
gpmc_d10	GPMC Data bit 10	IO	P1	AB4	T1	N1	U1	gpmc_a11/ gpmc_d10
gpmc_d11	GPMC Data bit 11	IO	R1	AC4	U2	P2	R3	gpmc_a12/ gpmc_d11
gpmc_d12	GPMC Data bit 12	IO	R2	AB6	U1	P1	T3	gpmc_a13/ gpmc_d12
gpmc_d13	GPMC Data bit 13	IO	T2	AC6	P1	M1	U2	gpmc_a14/ gpmc_d13

PRODUCT PREVIEW

**Table 2-7. External Memory Interfaces – GPMC Signals Description (continued)**

SIGNAL NAME [1]	DESCRIPTION [2]	TYPE [3]	BALL BOTTOM (CBB Pkg.) [4]	BALL TOP (CBB Pkg.) [5]	BALL BOTTOM (CBC Pkg.) [4]	BALL TOP (CBC Pkg.) [5]	BALL BOTTOM (CUS Pkg.) [4]	SUBSYSTEM PIN MULTIPLEXING [6]
gpmc_d14	GPMC Data bit 14	IO	W1	AB7	L2	J2	V1	gpmc_a15/ gpmc_d14
gpmc_d15	GPMC Data bit 15	IO	Y1	AC7	M2	K2	V2	gpmc_a16/ gpmc_d15
gpmc_ncs0	GPMC Chip Select bit 0	O	G4	Y2	AD8	AA8	E2	-
gpmc_ncs1	GPMC Chip Select bit 1	O	H3	Y1	AD1	W1	NA	-
gpmc_ncs2	GPMC Chip Select bit 2	O	V8	NA	A3	-	NA	-
gpmc_ncs3	GPMC Chip Select bit 3	O	U8	NA	B6	-	D2	-
gpmc_ncs4	GPMC Chip Select bit 4	O	T8	NA	B4	-	F4	-
gpmc_ncs5	GPMC Chip Select bit 5	O	R8	NA	C4	-	G5	-
gpmc_ncs6	GPMC Chip Select bit 6	O	P8	NA	B5	-	F3	-
gpmc_ncs7	GPMC Chip Select bit 7	O	N8	NA	C5	-	G4	-
gpmc_io_dir	GPMC IO direction control for use with external transceivers	O	N8	NA	C5	-	G4	-
gpmc_clk	GPMC clock	O	T4	W2	N1	L1	W2	-
gpmc_nadv_ale	Address Valid or Address Latch Enable	O	F3	W1	AD10	AA9	F1	-
gpmc_noe	Output Enable	O	G2	V2	N2	L2	F2	-
gpmc_nwe	Write Enable	O	F4	V1	M1	K1	G3	-
gpmc_nbe0_cle	Lower Byte Enable. Also used for Command Latch Enable	O	G3	AC12	K2	-	K5	-
gpmc_nbe1	Upper Byte Enable	O	U3	NA	J1	-	L1	-
gpmc_nwp	Flash Write Protect	O	H1	AB10	AC6	Y5	E1	-
gpmc_wait0	External indication of wait	I	M8	AB12	AC11	Y10	C1	-
gpmc_wait1	External indication of wait	I	L8	AC10	AC8	Y8	NA	-
gpmc_wait2	External indication of wait	I	K8	NA	B3	-	NA	-
gpmc_wait3	External indication of wait	I	J8	NA	C6	-	C2	-

**Table 2-8. External Memory Interfaces – SDRAM Signals Description**

SIGNAL NAME	DESCRIPTION	TYPE <sup>(1)</sup>	BALL BOTTOM (CBB Pkg.)	BALL TOP (CBB Pkg.)	BALL BOTTOM (CBC Pkg.)	BALL TOP (CBC Pkg.)	BALL BOTTOM (CUS Pkg.)
sdrc_d0	SDRAM data bit 0	IO	D6	J2	-	D1	D7
sdrc_d1	SDRAM data bit 1	IO	C6	J1	-	G1	C5
sdrc_d2	SDRAM data bit 2	IO	B6	G2	-	G2	C6
sdrc_d3	SDRAM data bit 3	IO	C8	G1	-	E1	B5
sdrc_d4	SDRAM data bit 4	IO	C9	F2	-	D2	D9
sdrc_d5	SDRAM data bit 5	IO	A7	F1	-	E2	D10
sdrc_d6	SDRAM data bit 6	IO	B9	D2	-	B3	C7
sdrc_d7	SDRAM data bit 7	IO	A9	D1	-	B4	B7
sdrc_d8	SDRAM data bit 8	IO	C14	B13	-	A10	B11
sdrc_d9	SDRAM data bit 9	IO	B14	A13	-	B11	C12
sdrc_d10	SDRAM data bit 10	IO	C15	B14	-	A11	B12
sdrc_d11	SDRAM data bit 11	IO	B16	A14	-	B12	D13
sdrc_d12	SDRAM data bit 12	IO	D17	B16	-	A16	C13

(1) Type = Ball type for this specific function (I = Input, O = Output, Z = high-impedance, D = Open Drain, DS = Differential, A = Analog).

**Table 2-8. External Memory Interfaces – SDRC Signals Description (continued)**

SIGNAL NAME	DESCRIPTION	TYPE <sup>(1)</sup>	BALL BOTTOM (CBB Pkg.)	BALL TOP (CBB Pkg.)	BALL BOTTOM (CBC Pkg.)	BALL TOP (CBC Pkg.)	BALL BOTTOM (CUS Pkg.)
sdrc_d13	SDRAM data bit 13	IO	C17	A16	-	A17	B14
sdrc_d14	SDRAM data bit 14	IO	B17	B19	-	B17	A14
sdrc_d15	SDRAM data bit 15	IO	D18	A19	-	B18	B15
sdrc_d16	SDRAM data bit 16	IO	D11	B3	-	B7	C9
sdrc_d17	SDRAM data bit 17	IO	B10	A3	-	A5	E12
sdrc_d18	SDRAM data bit 18	IO	C11	B5	-	B6	B8
sdrc_d19	SDRAM data bit 19	IO	D12	A5	-	A6	B9
sdrc_d20	SDRAM data bit 20	IO	C12	B8	-	A8	C10
sdrc_d21	SDRAM data bit 21	IO	A11	A8	--	B9	B10
sdrc_d22	SDRAM data bit 22	IO	B13	B9	-	A9	D12
sdrc_d23	SDRAM data bit 23	IO	D14	A9	-	B10	E13
sdrc_d24	SDRAM data bit 24	IO	C18	B21	-	C21	E15
sdrc_d25	SDRAM data bit 25	IO	A19	A21	-	D20	D15
sdrc_d26	SDRAM data bit 26	IO	B19	D22	-	B19	C15
sdrc_d27	SDRAM data bit 27	IO	B20	D23	-	C20	B16
sdrc_d28	SDRAM data bit 28	IO	D20	E22	-	D21	C16
sdrc_d29	SDRAM data bit 29	IO	A21	E23	-	E20	D16
sdrc_d30	SDRAM data bit 30	IO	B21	G22	-	E21	B17
sdrc_d31	SDRAM data bit 31	IO	C21	G23	-	G21	B18
sdrc_ba0	SDRAM bank select 0	O	H9	AB21	-	AA18	C18
sdrc_ba1	SDRAM bank select 1	O	H10	AC21	-	V20	D18
sdrc_a0	SDRAM address bit 0	O	A4	N22	-	G20	A4
sdrc_a1	SDRAM address bit 1	O	B4	N23	-	K20	B4
sdrc_a2	SDRAM address bit 2	O	B3	P22	-	J20	D6
sdrc_a3	SDRAM address bit 3	O	C5	P23	-	J21	B3
sdrc_a4	SDRAM address bit 4	O	C4	R22	-	U21	B2
sdrc_a5	SDRAM address bit 5	O	D5	R23	-	R20	C3
sdrc_a6	SDRAM address bit 6	O	C3	T22	-	M21	E3
sdrc_a7	SDRAM address bit 7	O	C2	T23	-	M20	F6
sdrc_a8	SDRAM address bit 8	O	C1	U22	-	N20	E10
sdrc_a9	SDRAM address bit 9	O	D4	U23	-	K21	E9
sdrc_a10	SDRAM address bit 10	O	D3	V22	-	Y16	E7
sdrc_a11	SDRAM address bit 11	O	D2	V23	-	N21	G6
sdrc_a12	SDRAM address bit 12	O	D1	W22	-	R21	G7
sdrc_a13	SDRAM address bit 13	O	E2	W23	-	AA15	F7

PRODUCT PREVIEW

**Table 2-8. External Memory Interfaces – SDRC Signals Description (continued)**

SIGNAL NAME	DESCRIPTION	TYPE <sup>(1)</sup>	BALL BOTTOM (CBB Pkg.)	BALL TOP (CBB Pkg.)	BALL BOTTOM (CBC Pkg.)	BALL TOP (CBC Pkg.)	BALL BOTTOM (CUS Pkg.)
sdrc_a14	SDRAM address bit 14	O	E1	Y22	-	Y12	F9
sdrc_ncs0	Chip select 0	O	H11	M22	-	T21	A19
sdrc_ncs1	Chip select 1	O	H12	M23	-	T20	B19
sdrc_clk	Clock	IO	A13	A11	-	A12	A10
sdrc_nclk	Clock Invert	O	A14	B11	-	B13	A11
sdrc_cke0	Clock Enable 0	O	H16	J22	-	Y15	B20
sdrc_cke1	Clock Enable 1	O	H17	J23	-	Y13	C20
sdrc_nras	SDRAM Row Access	O	H14	L23	-	V21	D19
sdrc_ncas	SDRAM column address strobe	O	H13	L22	-	U20	C19
sdrc_nwe	SDRAM write enable	O	H15	K23	-	Y18	A20
sdrc_dm0	Data Mask 0	O	B7	C1	-	H1	B6
sdrc_dm1	Data Mask 1	O	A16	A17	-	A14	B13
sdrc_dm2	Data Mask 2	O	B11	A6	-	A4	A7
sdrc_dm3	Data Mask 3	O	C20	A20	-	A18	A16
sdrc_dqs0	Data Strobe 0	IO	A6	C2	-	C2	A5
sdrc_dqs1	Data Strobe 1	IO	A17	B17	-	B15	A13
sdrc_dqs2	Data Strobe 2	IO	A10	B6	-	B8	A8
sdrc_dqs3	Data Strobe 3	IO	A20	B20	-	A19	A17

**PRODUCT PREVIEW**

2.4.2 Video Interfaces

Table 2-9. Video Interfaces – CAM Signals Description

SIGNAL NAME	DESCRIPTION	TYPE <sup>(1)</sup>	BALL BOTTOM (CBB Pkg.)	BALL BOTTOM (CBC Pkg.)	BALL BOTTOM (CUS Pkg.)
cam_hs	Camera Horizontal Synchronization	IO	A24	C23	A22
cam_vs	Camera Vertical Synchronization	IO	A23	D23	E18
cam_xclka	Camera Clock Output a	O	C25	C25	B22
cam_xclkb	Camera Clock Output b	O	B26	E25	C22
cam_d0	Camera digital image data bit 0	I	AG17	AE16	AB18
cam_d1	Camera digital image data bit 1	I	AH17	AE15	AC18
cam_d2	Camera digital image data bit 2	I	B24	A24	G19
cam_d3	Camera digital image data bit 3	I	C24	B24	F19
cam_d4	Camera digital image data bit 4	I	D24	D24	G20
cam_d5	Camera digital image data bit 5	I	A25	C24	B21
cam_d6	Camera digital image data bit 6	I	K28	P25	L24
cam_d7	Camera digital image data bit 7	I	L28	P26	K24
cam_d8	Camera digital image data bit 8	I	K27	N25	J23
cam_d9	Camera digital image data bit 9	I	L27	N26	K23
cam_d10	Camera digital image data bit 10	I	B25	D25	F21
cam_d11	Camera digital image data bit 11	I	C26	E26	G21
cam_fld	Camera field identification	IO	C23	B23	H24
cam_pclk	Camera pixel clock	I	C27	C26	J19
cam_wen	Camera Write Enable	I	B23	A23	F18
cam_strobe	Flash strobe control signal	O	D25	D26	J20
cam_global_reset	Global reset is used strobe synchronization	IO	C23 / AH3 / AA21	V17 / B23	H24/ AA2/ AB20
cam_shutter	Mechanical shutter control signal	O	B23 / AF3 / T21	A23 / T19	F18/ Y2/ AA18

(1) Type = Ball type for this specific function (I = Input, O = Output, Z = high-impedance, D = Open Drain, DS = Differential, A = Analog).

Table 2-10. Video Interfaces – DSS Signals Description

SIGNAL NAME	DESCRIPTION	TYPE <sup>(1)</sup>	BALL BOTTOM (CBB Pkg.)	BALL BOTTOM (CBC Pkg.)	BALL BOTTOM (CUS Pkg.)
dss_pclk	LCD Pixel Clock	O	D28	G25	G22
dss_hsync	LCD Horizontal Synchronization	O	D26	K24	E22
dss_vsync	LCD Vertical Synchronization	O	D27	M25	F22
dss_acbias	AC bias control (STN) or pixel data enable (TFT) output	O	E27	F26	J21
dss_data0	LCD Pixel Data bit 0	IO	AG22 / H26	AE21 / M24	AC19
dss_data1	LCD Pixel Data bit 1	IO	AH22 / H25	AE22 / M26	AB19
dss_data2	LCD Pixel Data bit 2	IO	AG23 / E28	AE23 / F25	AD20
dss_data3	LCD Pixel Data bit 3	IO	AH23 / J26	AE24 / N24	AC20
dss_data4	LCD Pixel Data bit 4	IO	AG24 / AC27	AD23 / AC25	AD21
dss_data5	LCD Pixel Data bit 5	IO	AH24 / AC28	AD24/ AB25	AC21
dss_data6	LCD Pixel Data bit 6	IO	E26	G26	D24
dss_data7	LCD Pixel Data bit 7	IO	F28	H25	E23
dss_data8	LCD Pixel Data bit 8	IO	F27	H26	E24
dss_data9	LCD Pixel Data bit 9	IO	G26	J26	F23

(1) Type = Ball type for this specific function (I = Input, O = Output, Z = high-impedance, D = Open Drain, DS = Differential, A = Analog).



**Table 2-10. Video Interfaces – DSS Signals Description (continued)**

SIGNAL NAME	DESCRIPTION	TYPE <sup>(1)</sup>	BALL BOTTOM (CBB Pkg.)	BALL BOTTOM (CBC Pkg.)	BALL BOTTOM (CUS Pkg.)
dss_data10	LCD Pixel Data bit 10	IO	AD28	AC26	AC22
dss_data11	LCD Pixel Data bit 11	IO	AD27	AD26	AC23
dss_data12	LCD Pixel Data bit 12	IO	AB28	AA25	AB22
dss_data13	LCD Pixel Data bit 13	IO	AB27	Y25	Y22
dss_data14	LCD Pixel Data bit 14	IO	AA28	AA26	W22
dss_data15	LCD Pixel Data bit 15	IO	AA27	AB26	V22
dss_data16	LCD Pixel Data bit 16	IO	G25	L25	J22
dss_data17	LCD Pixel Data bit 17	IO	H27	L26	G23
dss_data18	LCD Pixel Data bit 18	IO	H26	M24	G24
dss_data19	LCD Pixel Data bit 19	IO	H25	M26	H23
dss_data20	LCD Pixel Data bit 20	O	E28	F25	D23
dss_data21	LCD Pixel Data bit 21	O	J26	N24	K22
dss_data22	LCD Pixel Data bit 22	O	AC27	AC25	V21
dss_data23	LCD Pixel Data bit 23	O	AC28	AB25	W21

**Table 2-11. Video Interfaces – RFBI Signals Description**

SIGNAL NAME	DESCRIPTION	TYPE <sup>(1)</sup>	BALL BOTTOM (CBB Pkg.)	BALL BOTTOM (CBC Pkg.)	BALL BOTTOM (CUS Pkg.)	SUBSYSTEM PIN MULTIPLEXING <sup>(2)</sup>
rfbi_a0	RFBI command/data control	O	E27	F26	J21	dss_acbias
rfbi_cs0	1st LCD chip select	O	D26	K24	E22	dss_hsync
rfbi_da0	RFBI data bus 0	IO	AG22	AE21	AC19	dss_data0
rfbi_da1	RFBI data bus 1	IO	AH22	AE22	AB19	dss_data1
rfbi_da2	RFBI data bus 2	IO	AG23	AE23	AD20	dss_data2
rfbi_da3	RFBI data bus 3	IO	AH23	AE24	AC20	dss_data3
rfbi_da4	RFBI data bus 4	IO	AG24	AD23	AD21	dss_data4
rfbi_da5	RFBI data bus 5	IO	AH24	AD24	AC21	dss_data5
rfbi_da6	RFBI data bus 6	IO	E26	G26	D24	dss_data6
rfbi_da7	RFBI data bus 7	IO	F28	H25	E23	dss_data7
rfbi_da8	RFBI data bus 8	IO	F27	H26	E24	dss_data8
rfbi_da9	RFBI data bus 9	IO	G26	J26	F23	dss_data9
rfbi_da10	RFBI data bus 10	IO	AD28	AC26	AC22	dss_data10
rfbi_da11	RFBI data bus 11	IO	AD27	AD26	AC23	dss_data11
rfbi_da12	RFBI data bus 12	IO	AB28	AA25	AB22	dss_data12
rfbi_da13	RFBI data bus 13	IO	AB27	Y25	Y22	dss_data13
rfbi_da14	RFBI data bus 14	IO	AA28	AA26	W22	dss_data14
rfbi_da15	RFBI data bus 15	IO	AA27	AB26	V22	dss_data15
rfbi_rd	Read enable for RFBI	O	D28	G25	G22	dss_pclk
rfbi_wr	Write Enable for RFBI	O	D27	M25	F22	dss_vsync
rfbi_te_vsync0	tearing effect removal and Vsync input from 1st LCD	I	G25	L25	J22	dss_data16
rfbi_hsync0	Hsync for 1st LCD	I	H27	L26	G23	dss_data17

(1) Type = Ball type for this specific function (I = Input, O = Output, Z = high-impedance, D = Open Drain, DS = Differential, A = Analog).

(2) The subsystem pin multiplexing options are not described in [Table 2-1](#) and [Table 2-4](#)

**Table 2-12. Video Interfaces – TV Signals Description**

SIGNAL NAME	DESCRIPTION	TYPE <sup>(1)</sup>	BALL BOTTOM (CBB Pkg.)	BALL BOTTOM (CBC Pkg.)	BALL BOTTOM (CUS Pkg.)
tv_out1	TV analog output Composite: tv_out1	O	Y28	W26	AB24
tv_out2	TV analog output S-VIDEO: tv_out2	O	W28	V26	AA23
tv_vfb1	tv_vfb1: Feedback through external resistor to composite	O	Y27	W25	AB23
tv_vfb2	tv_vfb2: Feedback through external resistor to S-VIDEO	O	W27	U24	Y23
tv_vref	External capacitor	I	W26	V23	Y24

(1) Type = Ball type for this specific function (I = Input, O = Output, Z = high-impedance, D = Open Drain, DS = Differential, A = Analog).

PRODUCT PREVIEW

### 2.4.3 Serial Communication Interfaces

**Table 2-13. Serial Communication Interfaces – HDQ/1-Wire Signals Description**

SIGNAL NAME	DESCRIPTION	TYPE <sup>(1)</sup>	BALL BOTTOM (CBB Pkg.)	BALL BOTTOM (CBC Pkg.)	BALL BOTTOM (CUS Pkg.)
hdq_sio	Bidirectional HDQ 1-Wire control and data Interface. Output is open drain.	IOD	J25	J23	A24

(1) Type = Ball type for this specific function (I = Input, O = Output, Z = high-impedance, D = Open Drain, DS = Differential, A = Analog).

**Table 2-14. Serial Communication Interfaces – I<sup>2</sup>C Signals Description**

SIGNAL NAME	DESCRIPTION	TYPE <sup>(1)</sup>	BALL BOTTOM (CBB Pkg.)	BALL BOTTOM (CBC Pkg.)	BALL BOTTOM (CUS Pkg.)
<b>INTER-INTEGRATED CIRCUIT INTERFACE (I2C1)</b>					
i2c1_scl	I <sup>2</sup> C Master Serial clock. Output is open drain.	IOD	K21	J25	K20
i2c1_sda	I <sup>2</sup> C Serial Bidirectional Data. Output is open drain.	IOD	J21	J24	K21
<b>INTER-INTEGRATED CIRCUIT INTERFACE (I2C3)</b>					
i2c3_scl	I <sup>2</sup> C Master Serial clock. Output is open drain.	IOD	AF14	C2	AC13
i2c3_sda	I <sup>2</sup> C Serial Bidirectional Data. Output is open drain.	IOD	AG14	C1	AC12
i2c3_sccbe	TBD	O	J25	J23	A24
<b>INTER-INTEGRATED CIRCUIT INTERFACE (I2C2)</b>					
i2c2_scl	I <sup>2</sup> C Master Serial clock. Output is open drain.	IOD	AF15	AB4	AC15
i2c2_sda	I <sup>2</sup> C Serial Bidirectional Data. Output is open drain.	IOD	AE15	AC4	AC14
i2c2_sccbe	Serial Camera Control Bus Enable	O	J25	J23	A24

(1) Type = Ball type for this specific function (I = Input, O = Output, Z = high-impedance, D = Open Drain, DS = Differential, A = Analog).

**Table 2-15. Serial Communication Interfaces – SmartReflex Signals Description<sup>(1)</sup>**

SIGNAL NAME	DESCRIPTION	TYPE <sup>(2)</sup>	BALL BOTTOM (CBB Pkg.)	BALL BOTTOM (CBC Pkg.)	BALL BOTTOM (CUS Pkg.)
<b>INTER-INTEGRATED CIRCUIT INTERFACE (I2C4)</b>					
i2c4_scl	I <sup>2</sup> C Master Serial clock. Output is open drain.	IOD	AD26	AD15	Y16
i2c4_sda	I <sup>2</sup> C Serial Bidirectional Data. Output is open drain.	IOD	AE26	W16	Y15

(1) For more information on SmartReflex voltage control, see the PRCM chapter of the *OMAP35x Technical Reference Manual (TRM)* [literature number [SPRUJFA5](#)].

(2) Type = Ball type for this specific function (I = Input, O = Output, Z = high-impedance, D = Open Drain, DS = Differential, A = Analog).

**Table 2-16. Serial Communication Interfaces – McBSP LP Signals Description**

SIGNAL NAME	DESCRIPTION	TYPE <sup>(1)</sup>	BALL BOTTOM (CBB Pkg.)	BALL BOTTOM (CBC Pkg.)	BALL BOTTOM (CUS Pkg.)
<b>MULTICHANNEL SERIAL (McBSP LP 1)</b>					
mcbsp1_dr	Received serial data	I	U21	T20	Y18
mcbsp1_clkr	Receive Clock	IO	Y8 / Y21	U19 / H3	V7 / W19
mcbsp1_fsr	Receive frame synchronization	IO	AA21	V17	AB20
mcbsp1_dx	Transmitted serial data	IO	V21	U17	W18
mcbsp1_clkx	Transmit clock	IO	W21	T17	V18

(1) Type = Ball type for this specific function (I = Input, O = Output, Z = high-impedance, D = Open Drain, DS = Differential, A = Analog)

**Table 2-16. Serial Communication Interfaces – McBSP LP Signals Description (continued)**

SIGNAL NAME	DESCRIPTION	TYPE <sup>(1)</sup>	BALL BOTTOM (CBB Pkg.)	BALL BOTTOM (CBC Pkg.)	BALL BOTTOM (CUS Pkg.)
mcbasp1_fsx	Transmit frame synchronization	IO	K26	P20	AA19
mcbasp_clks	External clock input (shared by McBSP1, 2, 3, 4, and 5)	I	T21	T19	AA18
<b>MULTICHANNEL SERIAL (McBSP LP 2)</b>					
mcbasp2_dr	Received serial data	I	R21	T18	V19
mcbasp2_dx	Transmitted serial data	IO	M21	R19	R20
mcbasp2_clkx	Combined serial clock	IO	N21	R18	T21
mcbasp2_fsx	Combined frame synchronization	IO	P21	U18	V20
<b>MULTICHANNEL SERIAL (McBSP LP 3)</b>					
mcbasp3_dr	Received serial data	I	AE6 / AB25 / U21	T20 / AA24	V5 / Y18
mcbasp3_dx	Transmitted serial data	IO	AF6 / AB26 / V21	U17 / Y24	V6 / W18
mcbasp3_clkx	Combined serial clock	IO	AF5 / AA25 / W21	T17 / AD22	W4 / V18
mcbasp3_fsx	Combined frame synchronization	IO	AE5 / AD25 / K26	P20 / AD21	V4 / AA19
<b>MULTICHANNEL SERIAL (McBSP LP 4)</b>					
mcbasp4_dr	Received serial data	I	R8 / AD1	C4	G5
mcbasp4_dx	Transmitted serial data	IO	P8 / AD2	B5	F3
mcbasp4_clkx	Combined serial clock	IO	T8 / AE1	B4	F4
mcbasp4_fsx	Combined frame synchronization	IO	N8 / AC1	C5	G4
<b>MULTICHANNEL SERIAL (McBSP LP 5)</b>					
mcbasp5_dr	Received serial data	I	AE11	Y3	AC5
mcbasp5_dx	Transmitted serial data	IO	AF13	AE3	AC8
mcbasp5_clkx	Combined serial clock	IO	AF10	AB2	AC1
mcbasp5_fsx	Combined frame synchronization	IO	AH9	AB1	AD2

**Table 2-17. Serial Communication Interfaces – McSPI Signals Description**

SIGNAL NAME	DESCRIPTION	TYPE <sup>(1)</sup>	BALL BOTTOM (CBB Pkg.)	BALL BOTTOM (CBC Pkg.)	BALL BOTTOM (CUS Pkg.)
<b>MULTICHANNEL SERIAL PORT INTERFACE (McSPI1)</b>					
mcspi1_clk	SPI Clock	IO	AB3	P9	T5
mcspi1_simo	Slave data in, master data out	IO	AB4	P8	R4
mcspi1_somi	Slave data out, master data in	IO	AA4	P7	T4
mcspi1_cs0	SPI Enable 0, polarity configured by software	IO	AC2	R7	T6
mcspi1_cs1	SPI Enable 1, polarity configured by software	O	AC3	R8	NA
mcspi1_cs2	SPI Enable 2, polarity configured by software	O	AB1	R9	NA
mcspi1_cs3	SPI Enable 3, polarity configured by software	O	AB2	T8	R5
<b>MULTICHANNEL SERIAL PORT INTERFACE (McSPI2)</b>					
mcspi2_clk	SPI Clock	IO	AA3	W7	N5
mcspi2_simo	Slave data in, master data out	IO	Y2	W8	N4
mcspi2_somi	Slave data out, master data in	IO	Y3	U8	N3
mcspi2_cs0	SPI Enable 0, polarity configured by software	IO	Y4	V8	M5
mcspi2_cs1	SPI Enable 1, polarity configured by software	O	V3	V9	M4
<b>MULTICHANNEL SERIAL PORT INTERFACE (McSPI3)</b>					

(1) Type = Ball type for this specific function (I = Input, O = Output, Z = high-impedance, D = Open Drain, DS = Differential, A = Analog)

**Table 2-17. Serial Communication Interfaces – McSPI Signals Description (continued)**

SIGNAL NAME	DESCRIPTION	TYPE <sup>(1)</sup>	BALL BOTTOM (CBB Pkg.)	BALL BOTTOM (CBC Pkg.)	BALL BOTTOM (CUS Pkg.)
mcspi3_clk	SPI Clock	IO	H26 / AE2 / AE13	W10 / M24 / AA3	G24 / Y1 / AD8
mcspi3_simo	Slave data in, master data out	IO	H25 / AG5 / AF11	R10 / M26 / AC3	H23 / AB5 / AD6
mcspi3_somi	Slave data out, master data in	IO	E28 / AH5 / AG12	F25 / T10 / AD4	D23 / AB3 / AC6
mcspi3_cs0	SPI Enable 0, polarity configured by software	IO	J26 / AF4 / AH12	U9 / N24 / AD3	K22 / V3 / AC7
mcspi3_cs1	SPI Enable 1, polarity configured by software	O	AC27 / AG4 / AH14	AC25 / U10 / AD2	V21 / W3 / AD9
<b>MULTICHANNEL SERIAL PORT INTERFACE (McSPI4)</b>					
mcspi4_clk	SPI Clock	IO	Y8 / Y21	U19 / H3	V7 / W19
mcspi4_simo	Slave data in, master data out	IO	V21	U17	W18
mcspi4_somi	Slave data out, master data in	IO	U21	T20	Y18
mcspi4_cs0	SPI Enable 0, polarity configured by software	IO	K26	P20	AA19

**Table 2-18. Serial Communication Interfaces – UARTs Signals Description**

SIGNAL NAME	DESCRIPTION	TYPE <sup>(1)</sup>	BALL BOTTOM (CBB Pkg.)	BALL BOTTOM (CBC Pkg.)	BALL BOTTOM (CUS Pkg.)
<b>UNIVERSAL ASYNCHRONOUS RECEIVER/TRANSMITTER (UART1)</b>					
uart1_cts	UART1 Clear To Send	I	AG22 / W8 / T21	AE21 / T19	AC19 / AC2 / AA18
uart1_rts	UART1 Request To Send	O	AH22 / AA9	AE22 / R2	W6 / AB19
uart1_rx	UART1 Receive data	I	F28 / Y8 / AE7	H3 / H25 / AE4	E23 / V7 / AC3
uart1_tx	UART1 Transmit data	O	E26 / AA8	L4 / G26	D24 / W7
<b>UNIVERSAL ASYNCHRONOUS RECEIVER/TRANSMITTER (UART2)</b>					
uart2_cts	UART2 Clear To Send	I	AF6 / AB26	Y24	V6
uart2_rts	UART2 Request To Send	O	AE6 / AB25	AA24	V5
uart2_rx	UART2 Receive data	I	AE5 / AD25	AD21	V4
uart2_tx	UART2 Transmit data	O	AF5 / AA25	AD22	W4
<b>UNIVERSAL ASYNCHRONOUS RECEIVER/TRANSMITTER (UART3) / IrDA</b>					
uart3_cts_rctx	UART3 Clear To Send (input), Remote TX (output)	IO	H18 / U26	W20 / F23	A23 / U23
uart3_rts_sd	UART3 Request To Send, IR enable	O	H19 / U27	V18 / F24	B23 / U24
uart3_rx_irrx	UART3 Receive data, IR and Remote RX	I	AG24 / H20 / U28	AD23 / Y20 / H24	AD21 / B24 / T23
uart3_tx_irtx	UART3 Transmit data, IR TX	O	AH24 / H21 / T27	AD24 / V20 / G24	AC21 / C23 / T24

(1) Type = Ball type for this specific function (I = Input, O = Output, Z = high-impedance, D = Open Drain, DS = Differential, A = Analog)

**Table 2-19. Serial Communication Interfaces – USB Signals Description**

SIGNAL NAME	DESCRIPTION	TYPE <sup>(1)</sup>	BALL BOTTOM (CBB Pkg.)	BALL BOTTOM (CBC Pkg.)	BALL BOTTOM (CUS Pkg.)
<b>HIGH-SPEED UNIVERSAL SERIAL BUS INTERFACE (HSUSB0)</b>					
hsusb0_clk	Dedicated for external transceiver 60-MHz clock input from PHY	I	T28	W19	R21
hsusb0_stp	Dedicated for external transceiver Stop signal	O	T25	U20	R23
hsusb0_dir	Dedicated for external transceiver Data direction control from PHY	I	R28	V19	P23
hsusb0_nxt	Dedicated for external transceiver Next signal from PHY	I	T26	W18	R22

(1) Type = Ball type for this specific function (I = Input, O = Output, Z = high-impedance, D = Open Drain, DS = Differential, A = Analog)

**Table 2-19. Serial Communication Interfaces – USB Signals Description (continued)**

SIGNAL NAME	DESCRIPTION	TYPE <sup>(1)</sup>	BALL BOTTOM (CBB Pkg.)	BALL BOTTOM (CBC Pkg.)	BALL BOTTOM (CUS Pkg.)
hsusb0_data0	Dedicated for external transceiver Bidirectional data bus	IO	T27	V20	T24
hsusb0_data1	Dedicated for external transceiver Bidirectional data bus	IO	U28	Y20	T23
hsusb0_data2	Dedicated for external transceiver Bidirectional data bus	IO	U27	V18	U24
hsusb0_data3	Dedicated for external transceiver Bidirectional data bus	IO	U26	W20	U23
hsusb0_data4	Dedicated for external transceiver Bidirectional data bus additional signals for 12-pin ULPI operation	IO	U25	W17	W24
hsusb0_data5	Dedicated for external transceiver Bidirectional data bus additional signals for 12-pin ULPI operation	IO	V28	Y18	V23
hsusb0_data6	Dedicated for external transceiver Bidirectional data bus additional signals for 12-pin ULPI operation	IO	V27	Y19	W23
hsusb0_data7	Dedicated for external transceiver Bidirectional data bus additional signals for 12-pin ULPI operation	IO	V26	Y17	T22
<b>MM_FSUSB3</b>					
mm3_rxdm	Vminus receive data (not used in 3- or 4-pin configurations)	IO	AE3	AE3	NA
mm3_rxdp	Vplus receive data (not used in 3- or 4-pin configurations)	IO	AH3	M3	NA
mm3_rxcv	Differential receiver signal input (not used in 3-pin mode)	IO	AD1	U4 (TBD)	NA
mm3_txse0	Single-ended zero. Used as VM in 4-pin VP_VM mode.	IO	AE1	V3 (TBD)	NA
mm3_txdat	USB data. Used as VP in 4-pin VP_VM mode.	IO	AD2	T3 (TBD)	NA
mm3_txen_n	Transmit enable	IO	AC1	T3 (TBD)	NA
<b>MM_FSUSB2</b>					
mm2_rxdm	Vminus receive data (not used in 3- or 4-pin configurations)	IO	AH7	AF7	AD11
mm2_rxdp	Vplus receive data (not used in 3- or 4-pin configurations)	IO	AF7	AF6	AC9
mm2_rxcv	Differential receiver signal input (not used in 3-pin mode)	IO	AG8	AF9	AC11
mm2_txse0	Single-ended zero. Used as VM in 4-pin VP_VM mode.	IO	AH8	AE9	AD12
mm2_txdat	USB data. Used as VP in 4-pin VP_VM mode.	IO	AB2	T8	R5
mm2_txen_n	Transmit enable	IO	V3	V9	M4
<b>MM_FSUSB1</b>					
mm1_rxdm	Vminus receive data (not used in 3- or 4-pin configurations)	IO	AG9	V2	AD5
mm1_rxdp	Vplus receive data (not used in 3- or 4-pin configurations)	IO	AF10	AB2	AC1
mm1_rxcv	Differential receiver signal input (not used in 3-pin mode)	IO	AF11	AC3	AD6
mm1_txse0	Single-ended zero. Used as VM in 4-pin VP_VM mode.	IO	AG12	AD4	AC6
mm1_txdat	USB data. Used as VP in 4-pin VP_VM mode.	IO	AH12	AD3	AC7
mm1_txen_n	Transmit enable	IO	AH14	AD2	AD9
<b>HSUSB3_TLL</b>					
hsusb3_tll_clk	Dedicated for external transceiver 60-MHz clock input from PHY	O	W8	W2	NA
hsusb3_tll_stp	Dedicated for external transceiver Stop signal	I	AH3	M3	NA

PRODUCT PREVIEW

**Table 2-19. Serial Communication Interfaces – USB Signals Description (continued)**

SIGNAL NAME	DESCRIPTION	TYPE <sup>(1)</sup>	BALL BOTTOM (CBB Pkg.)	BALL BOTTOM (CBC Pkg.)	BALL BOTTOM (CUS Pkg.)
hsusb3_tll_dir	dedicated for external transceiver Data direction control from PHY	O	AF3	L3	NA
hsusb3_tll_nxt	Dedicated for external transceiver Next signal from PHY	O	AE3	K3	NA
hsusb3_tll_data0	Dedicated for external transceiver Bidirectional data bus	IO	AD1	U4	NA
hsusb3_tll_data1	Dedicated for external transceiver Bidirectional data bus	IO	AE1	V3	NA
hsusb3_tll_data2	Dedicated for external transceiver Bidirectional data bus	IO	AD2	R3	NA
hsusb3_tll_data3	Dedicated for external transceiver Bidirectional data bus	IO	AC1	T3	NA
hsusb3_tll_data4	Dedicated for external transceiver Bidirectional data bus	IO	AF6	P3	NA
hsusb3_tll_data5	Dedicated for external transceiver Bidirectional data bus	IO	AE6	N3	NA
hsusb3_tll_data6	Dedicated for external transceiver Bidirectional data bus	IO	AF5	U3	NA
hsusb3_tll_data7	Dedicated for external transceiver Bidirectional data bus	IO	AE5	W3	NA
<b>HSUSB2</b>					
hsusb2_clk	Dedicated for external transceiver 60-MHz clock input from PHY	O	AE7	AE4	AC3
hsusb2_stp	Dedicated for external transceiver Stop signal	O	AF7	AF6	AC9
hsusb2_dir	Dedicated for external transceiver Data direction control from PHY	I	AG7	AE6	AC10
hsusb2_nxt	Dedicated for external transceiver Next signal from PHY	I	AH7	AF7	AD11
hsusb2_data0	Dedicated for external transceiver Bidirectional data bus	IO	AG8	AF9	AC11
hsusb2_data1	Dedicated for external transceiver Bidirectional data bus	IO	AH8	AE9	AD12
hsusb2_data2	Dedicated for external transceiver Bidirectional data bus	IO	AB2	T8	R5
hsusb2_data3	Dedicated for external transceiver Bidirectional data bus	IO	V3	V9	M4
hsusb2_data4	Dedicated for external transceiver Bidirectional data bus additional signals for 12-pin ULPI operation	IO	Y2	W8	N4
hsusb2_data5	Dedicated for external transceiver Bidirectional data bus additional signals for 12-pin ULPI operation	IO	Y3	U8	N3
hsusb2_data6	Dedicated for external transceiver Bidirectional data bus additional signals for 12-pin ULPI operation	IO	Y4	V8	M5
hsusb2_data7	Dedicated for external transceiver Bidirectional data bus additional signals for 12-pin ULPI operation	IO	AA3	W7	N5
<b>HSUSB2_TLL</b>					
hsusb2_tll_clk	Dedicated for external transceiver 60-MHz clock input from PHY	O	AE7	AE4	AC3
hsusb2_tll_stp	Dedicated for external transceiver Stop signal	I	AF7	AF6	AC9
hsusb2_tll_dir	Dedicated for external transceiver data direction control from PHY	O	AG7	AE6	AC10
hsusb2_tll_nxt	Dedicated for external transceiver Next signal from PHY	O	AH7	AF7	AD11
hsusb2_tll_data0	Dedicated for external transceiver Bidirectional data bus	IO	AG8	AF9	AC11

**Table 2-19. Serial Communication Interfaces – USB Signals Description (continued)**

SIGNAL NAME	DESCRIPTION	TYPE <sup>(1)</sup>	BALL BOTTOM (CBB Pkg.)	BALL BOTTOM (CBC Pkg.)	BALL BOTTOM (CUS Pkg.)
hsusb2_tll_data1	Dedicated for external transceiver Bidirectional data bus	IO	AH8	AE9	AD12
hsusb2_tll_data2	Dedicated for external transceiver Bidirectional data bus	IO	AB2	T8	R5
hsusb2_tll_data3	Dedicated for external transceiver Bidirectional data bus	IO	V3	V9	M4
hsusb2_tll_data4	Dedicated for external transceiver Bidirectional data bus additional signals for 12-pin ULPI operation	IO	Y2	W8	N4
hsusb2_tll_data5	Dedicated for external transceiver Bidirectional data bus additional signals for 12-pin ULPI operation	IO	Y3	U8	N3
hsusb2_tll_data6	Dedicated for external transceiver Bidirectional data bus additional signals for 12-pin ULPI operation	IO	Y4	V8	M5
hsusb2_tll_data7	Dedicated for external transceiver Bidirectional data bus additional signals for 12-pin ULPI operation	IO	AA3	W7	N5
<b>HSUSB1</b>					
hsusb1_clk	Dedicated for external transceiver 60-MHz clock input from PHY	O	AE10	AB3	AD3
hsusb1_stp	Dedicated for external transceiver Stop signal	O	AF10	AB2	AC1
hsusb1_dir	Dedicated for external transceiver data direction control from PHY	I	AF9	AA4	AC4
hsusb1_nxt	Dedicated for external transceiver Next signal from PHY	I	AG9	V2	AD5
hsusb1_data0	Dedicated for external transceiver Bidirectional data bus	IO	AF11	AC3	AD6
hsusb1_data1	Dedicated for external transceiver Bidirectional data bus	IO	AG12	AD4	AC6
hsusb1_data2	Dedicated for external transceiver Bidirectional data bus	IO	AH12	AD3	AC7
hsusb1_data3	Dedicated for external transceiver Bidirectional data bus	IO	AH14	AD2	AD9
hsusb1_data4	Dedicated for external transceiver Bidirectional data bus additional signals for 12-pin ULPI operation	IO	AE11	Y3	AC5
hsusb1_data5	Dedicated for external transceiver Bidirectional data bus additional signals for 12-pin ULPI operation	IO	AH9	AB1	AD2
hsusb1_data6	Dedicated for external transceiver Bidirectional data bus additional signals for 12-pin ULPI operation	IO	AF13	AE3	AC8
hsusb1_data7	Dedicated for external transceiver Bidirectional data bus additional signals for 12-pin ULPI operation	IO	AE13	AA7	AD8
<b>HSUSB1_TLL</b>					
hsusb1_tll_clk	Dedicated for external transceiver 60-MHz clock input from PHY	O	AE10	AB3	AD3
hsusb1_tll_stp	Dedicated for external transceiver Stop signal	I	AF10	AB2	AC1
hsusb1_tll_dir	Dedicated for external transceiver data direction control from PHY	O	AF9	AA4	AC4
hsusb1_tll_nxt	Dedicated for external transceiver Next signal from PHY	O	AG9	V2	AD5
hsusb1_tll_data0	Dedicated for external transceiver Bidirectional data bus	IO	AF11	AC3	AD6
hsusb1_tll_data1	Dedicated for external transceiver Bidirectional data bus	IO	AG12	AD4	AC6
hsusb1_tll_data2	Dedicated for external transceiver Bidirectional data bus	IO	AH12	AD3	AC7
hsusb1_tll_data3	Dedicated for external transceiver Bidirectional data bus	IO	AH14	AD2	AD9

PRODUCT PREVIEW



**Table 2-19. Serial Communication Interfaces – USB Signals Description (continued)**

SIGNAL NAME	DESCRIPTION	TYPE <sup>(1)</sup>	BALL BOTTOM (CBB Pkg.)	BALL BOTTOM (CBC Pkg.)	BALL BOTTOM (CUS Pkg.)
hsusb1_tll_data 4	Dedicated for external transceiver Bidirectional data bus additional signals for 12-pin ULPI operation	IO	AE11	Y3	AC5
hsusb1_tll_data 5	Dedicated for external transceiver Bidirectional data bus additional signals for 12-pin ULPI operation	IO	AH9	AB1	AD2
hsusb1_tll_data 6	Dedicated for external transceiver Bidirectional data bus additional signals for 12-pin ULPI operation	IO	AF13	AE3	AC8
hsusb1_tll_data 7	Dedicated for external transceiver Bidirectional data bus additional signals for 12-pin ULPI operation	IO	AE13	AA3	AD8

2.4.4 Removable Media Interfaces

Table 2-20. Removable Media Interfaces – MMC/SDIO Signals Description

SIGNAL NAME	DESCRIPTION	TYPE <sup>(1)</sup>	BALL BOTTOM (CBB Pkg.)	BALL BOTTOM (CBC Pkg.)	BALL BOTTOM (CUS Pkg.)
<b>MULTIMEDIA MEMORY CARD (MMC1) / SECURE DIGITAL IO (SDIO1)</b>					
mmc1_clk	MMC/SD Output Clock	O	N28	N19	M23
mmc1_cmd	MMC/SD command signal	IO	M27	L18	L23
mmc1_dat0	MMC/SD Card Data bit 0 / SPI Serial Input	IO	N27	M19	M22
mmc1_dat1	MMC/SD Card Data bit 1	IO	N26	M18	M21
mmc1_dat2	MMC/SD Card Data bit 2	IO	N25	K18	M20
mmc1_dat3	MMC/SD Card Data bit 3	IO	P28	N20	N23
mmc1_dat4	MMC/SD Card Data bit 4	IO	P27	M20	N22
mmc1_dat5	MMC/SD Card Data bit 5	IO	P26	P17	N21
mmc1_dat6	MMC/SD Card Data bit 6	IO	R27	P18	N20
mmc1_dat7	MMC/SD Card Data bit 7	IO	R25	P19	P24
<b>MULTIMEDIA MEMORY CARD (MMC2) / SECURE DIGITAL IO (SDIO2)</b>					
mmc2_clk	MMC/SD Output Clock	O	AE2	W10	Y1
mmc2_dir_dat0	Direction control for DAT0 signal case an external transceiver used	O	AE4	V10	AB2
mmc2_dir_dat1	Direction control for DAT1 and DAT3 signals case an external transceiver used	O	AH3	M3 (TBD)	AA2
mmc2_dir_dat2	Direction control for DAT2 signal case an external transceiver used	O	AF19	E4	AC17
mmc2_dir_dat3	Direction control for DAT4, DAT5, DAT6, and DAT7 signals case an external transceiver used	O	AE21	G3	AB16
mmc2_clkln	MMC/SD input Clock	I	AE3	K3 (TBD)	AA1
mmc2_dat0	MMC/SD Card Data bit 0	IO	AH5	T10	AB3
mmc2_dat1	MMC/SD Card Data bit 1	IO	AH4	T9	Y3
mmc2_dat2	MMC/SD Card Data bit 2	IO	AG4	U10	W3
mmc2_dat3	MMC/SD Card Data bit 3	IO	AF4	U9	V3
mmc2_dat4	MMC/SD Card Data bit 4	IO	AE4 / AB3	P9 / V10	AB2 / T5
mmc2_dat5	MMC/SD Card Data bit 5	IO	AH3 / AB4	P8	AA2 / R4
mmc2_dat6	MMC/SD Card Data bit 6	IO	AF3 / AA4	P7	Y2 / T4
mmc2_dat7	MMC/SD Card Data bit 7	IO	AE3 / AC2	R7	AA1 / T6
mmc2_dir_cmd	Direction control for CMD signal case an external transceiver is used	O	AF3	L3 (TBD)	Y2
mmc2_cmd	MMC/SD command signal	IO	AG5	R10	AB5
<b>MULTIMEDIA MEMORY CARD (MMC3) / SECURE DIGITAL IO (SDIO3)</b>					
mmc3_clk	MMC/SD Output Clock	O	AB1 / AF10	R9 / AB2	AC1
mmc3_cmd	MMC/SD command signal	IO	AC3 / AE10	R8 / AB3	AD3
mmc3_dat0	MMC/SD Card Data bit 0 / SPI Serial Input	IO	AE4 / AE11	V10 / Y3	AB2 / AC5
mmc3_dat1	MMC/SD Card Data bit 1	IO	AH3 / AH9	AB1	AA2 / AD2
mmc3_dat2	MMC/SD Card Data bit 2	IO	AF3 / AF13	AE3	Y2 / AC8
mmc3_dat3	MMC/SD Card Data bit 3	IO	AE3 / AE13	AA3	AA1 / AD8
mmc3_dat4	MMC/SD Card Data bit 4	IO	AF11	AC3	AD6
mmc3_dat5	MMC/SD Card Data bit 5	IO	AG9	V2	AD5
mmc3_dat6	MMC/SD Card Data bit 6	IO	AF9	AA4	AC4
mmc3_dat7	MMC/SD Card Data bit 7	IO	AH14	AD2	AD9

(1) Type = Ball type for this specific function (I = Input, O = Output, Z = high-impedance, D = Open Drain, DS = Differential, A = Analog)

PRODUCT PREVIEW

## 2.4.5 Test Interfaces

**Table 2-21. Test Interfaces – ETK Signals Description**

SIGNAL NAME	DESCRIPTION	TYPE <sup>(1)</sup>	BALL BOTTOM (CBB Pkg.)	BALL BOTTOM (CBC Pkg.)	BALL BOTTOM (CUS Pkg.)
etk_ctl	ETK trace ctl	O	AE10	AB2	AD3
etk_clk	ETK trace clock	O	AF10	AB3	AC1
etk_d0	ETK data 0	O	AF11	AC3	AD6
etk_d1	ETK data 1	O	AG12	AD4	AC6
etk_d2	ETK data 2	O	AH12	AD3	AC7
etk_d3	ETK data 3	O	AE13	AA3	AD8
etk_d4	ETK data 4	O	AE11	Y3	AC5
etk_d5	ETK data 5	O	AH9	AB1	AD2
etk_d6	ETK data 6	O	AF13	AE3	AC8
etk_d7	ETK data 7	O	AH14	AD2	AD9
etk_d8	ETK data 8	O	AF9	AA4	AC4
etk_d9	ETK data 9	O	AG9	V2	AD5
etk_d10	ETK data 10	O	AE7	AE4	AC3
etk_d11	ETK data 11	O	AF7	AF6	AC9
etk_d12	ETK data 12	O	AG7	AE6	AC10
etk_d13	ETK data 13	O	AH7	AF7	AD11
etk_d14	ETK data 14	O	AG8	AF9	AC11
etk_d15	ETK data 15	O	AH8	AE9	AD12

(1) Type = Ball type for this specific function (I = Input, O = Output, Z = high-impedance, D = Open Drain, DS = Differential, A = Analog)

**Table 2-22. Test Interfaces – JTAG Signals Description**

SIGNAL NAME	DESCRIPTION	TYPE <sup>(1)</sup>	BALL BOTTOM (CBB Pkg.)	BALL BOTTOM (CBC Pkg.)	BALL BOTTOM (CUS Pkg.)
jtag_nrst	Test Reset	I	AA17	U15	AB7
jtag_tck	Test Clock	I	AA13	V14	AB6
jtag_rtck	ARM Clock Emulation	O	AA12	W13	AA7
jtag_tms_tmisc	Test Mode Select	IO	AA18	V15	AA9
jtag_tdi	Test Data Input	I	AA20	U16	AB10
jtag_tdo	Test Data Output	O	AA19	Y13	AB9
jtag_emu0	Test emulation 0	IO	AA11	Y15	AC24
jtag_emu1	Test emulation 1	IO	AA10	Y14	AD24

(1) Type = Ball type for this specific function (I = Input, O = Output, Z = high-impedance, D = Open Drain, DS = Differential, A = Analog)

**Table 2-23. Test Interfaces – SDTI Signals Description**

SIGNAL NAME	DESCRIPTION	TYPE <sup>(1)</sup>	BALL BOTTOM (CBB Pkg.)	BALL BOTTOM (CBC Pkg.)	BALL BOTTOM (CUS Pkg.)	SUBSYSTEM SIGNAL MULTIPLEXING <sup>(2)</sup>
sdti_clk	Serial clock dual edge	O	AF7 / AA11 / AG8	AF6 / Y15 / AF9	AC9 / AC24 / AC11	etk_d11 / jtag_emu0 / etk_d14
sdti_txd0	Serial data out (System Trace messages)	O	AG7 / AA10 / AA11	AE6 / Y14 / Y15	AC10 / AD24 / AC24	etk_d12 / jtag_emu1 / jtag_emu0
sdti_txd1	Serial data out (System Trace messages)	O	AH7 / AA10	AF7 / Y14	AD11 / AD24	etk_d13 / jtag_emu1
sdti_txd2	Serial data out (System Trace messages)	O	AG8	AF9	AC11	etk_d14
sdti_txd3	Serial data out (System Trace messages)	O	AH8	AE9	AD12	etk_d15

(1) Type = Ball type for this specific function (I = Input, O = Output, Z = high-impedance, D = Open Drain, DS = Differential, A = Analog)

(2) The subsystem pin multiplexing options are not described in [Table 2-1](#) and [Table 2-4](#)

**Table 2-24. Test Interfaces – HWDBG Signals Description**

SIGNAL NAME	DESCRIPTION	TYPE <sup>(1)</sup>	BALL BOTTOM (CBB Pkg.)	BALL BOTTOM (CBC Pkg.)	BALL BOTTOM (CUS Pkg.)
hw_dbg0	Debug signal 0	O	A24 / AF10	C23/AB2	AD3
hw_dbg1	Debug signal 1	O	A23 / AE10	D23/AB3	AC1
hw_dbg2	Debug signal 2	O	C27/ AF11	C26/AC3	AD6
hw_dbg3	Debug signal 3	O	C23 / AG12	B23/AD4	AC6
hw_dbg4	Debug signal 4	O	B24 / AH12	A24/AD3	AC7
hw_dbg5	Debug signal 5	O	C24 / AE13	B24/AA3	AD8
hw_dbg6	Debug signal 6	O	D24 / AE11	D24/Y3	AC5
hw_dbg7	Debug signal 7	O	A25 / AH9	C24/AB1	AD2
hw_dbg8	Debug signal 8	O	B25 / AF13	D25/AE3	AC8
hw_dbg9	Debug signal 9	O	C26 / AH14	E26/AD2	AD9
hw_dbg10	Debug signal 10	O	B23 / AF9	A23/AA4	AC4
hw_dbg11	Debug signal 11	O	D25 / AG9	D26/V2	AD5
hw_dbg12	Debug signal 12	O	D28 / AE7	G25/AE4	AC3
hw_dbg13	Debug signal 13	O	D26 / AF7	K24/AF6	AC9
hw_dbg14	Debug signal 14	O	E26 / AG7	G26/AE6	AC10
hw_dbg15	Debug signal 15	O	F28 / AH7	H25/AF7	AD11
hw_dbg16	Debug signal 16	O	F27 / AG8	H26/AF9	AC11

(1) Type = Ball type for this specific function (I = Input, O = Output, Z = high-impedance, D = Open Drain, DS = Differential, A = Analog)

**Table 2-24. Test Interfaces – HWDBG Signals Description (continued)**

SIGNAL NAME	DESCRIPTION	TYPE <sup>(1)</sup>	BALL BOTTOM (CBB Pkg.)	BALL BOTTOM (CBC Pkg.)	BALL BOTTOM (CUS Pkg.)
hw_dbg17	Debug signal 17	O	G26 / AH8	J26/AE9	AD12

### 2.4.6 Miscellaneous

**Table 2-25. Miscellaneous – GP Timer Signals Description**

SIGNAL NAME	DESCRIPTION	TYPE <sup>(1)</sup>	BALL BOTTOM (CBB Pkg.)	BALL BOTTOM (CBC Pkg.)	BALL BOTTOM (CUS Pkg.)
gpt8_pwm_evt	PWM or event for GP timer 8	IO	N8 / AD25 / V3	C5 / AD21/ V9	G4/ M4
gpt9_pwm_evt	PWM or event for GP timer 9	IO	T8 / AB26 / Y2	B4 / W8 / Y24	F4 / N4
gpt10_pwm_evt	PWM or event for GP timer 10	IO	R8 / AB25 / Y3	C4 / U8 / AA24	G5 / N3
gpt11_pwm_evt	PWM or event for GP timer 11	IO	P8 / AA25 / Y4	B5 / V8 / AD22	F3 / M5

(1) Type = Ball type for this specific function (I = Input, O = Output, Z = high-impedance, D = Open Drain, DS = Differential, A = Analog)

**Table 2-26. Miscellaneous - Reserved Pins**

SIGNAL NAME	DESCRIPTION	TYPE	BALL BOTTOM (CBB Pkg.)	BALL TOP (CUS Pkg.)
rsv01	Reserved pin. Leave unconnected	NA	AH20	NA

2.4.7 General-Purpose IOs

Table 2-27. General-Purpose IOs Signals Description<sup>(1)</sup>

SIGNAL NAME	DESCRIPTION	TYPE <sup>(2)</sup>	BALL BOTTOM (CBB Pkg.)	BALL BOTTOM (CBC Pkg.)	BALL BOTTOM (CUS Pkg.)
gpio_0	General-purpose IO 0	IO	AF26	V16	W16
gpio_1	General-purpose IO 1	IO	AF25	W15	Y13
gpio_2	General-purpose IO 2	IO	AH26	F3	AB12
gpio_3	General-purpose IO 3	IO	AG26	D3	AC16
gpio_4	General-purpose IO 4	IO	AE14	C3	AD17
gpio_5	General-purpose IO 5	IO	AF18	E3	AD18
gpio_6	General-purpose IO 6	IO	AF19	E4	AC17
gpio_7	General-purpose IO 7	IO	AE21	G3	AB16
gpio_8	General-purpose IO 8	IO	AF21	D4	AA15
gpio_9	General-purpose IO 9	IO	AF22	V12	AD23
gpio_10	General-purpose IO 10	IO	AG25	AE14	Y7
gpio_11	General-purpose IO 11	IO	AA11	Y15	AC24
gpio_12	General-purpose IO 12	IO	AF10	AB2	AC1
gpio_13	General-purpose IO 13	IO	AE10	AB3	AD3
gpio_14	General-purpose IO 14	IO	AF11	AC3	AD6
gpio_15	General-purpose IO 15	IO	AG12	AD4	AC6
gpio_16	General-purpose IO 16	IO	AH12	AD3	AC7
gpio_17	General-purpose IO 17	IO	AE13	AA3	AD8
gpio_18	General-purpose IO 18	IO	AE11	Y3	AC5
gpio_19	General-purpose IO 19	IO	AH9	AB1	AD2
gpio_20	General-purpose IO 20	IO	AF13	AE3	AC8
gpio_21	General-purpose IO 21	IO	AH14	AA2	AD9
gpio_22	General-purpose IO 22	IO	AF9	AA4	AC4
gpio_23	General-purpose IO 23	IO	AG9	V2	AD5
gpio_24	General-purpose IO 24	IO	AE7	AE4	AC3
gpio_25	General-purpose IO 25	IO	AF7	AF6	AC9
gpio_26	General-purpose IO 26	IO	AG7	AE6	AC10
gpio_27	General-purpose IO 27	IO	AH7	AF7	AD11
gpio_28	General-purpose IO 28	IO	AG8	AF9	AC11
gpio_29	General-purpose IO 29	IO	AH8	AE9	AD12
gpio_30	General-purpose IO 30	IO	AF24	AD7	Y10
gpio_31	General-purpose IO 31	IO	AA10	Y14	AD24
gpio_34	General-purpose IO 34	IO	N4	J2	K4
gpio_35	General-purpose IO 35	IO	M4	H1	K3
gpio_36	General-purpose IO 36	IO	L4	H2	K2
gpio_37	General-purpose IO 37	IO	K4	G2	J4
gpio_38	General-purpose IO 38	IO	T3	F1	J3
gpio_39	General-purpose IO 39	IO	R3	F2	J2
gpio_40	General-purpose IO 40	IO	N3	E1	J1
gpio_41	General-purpose IO 41	IO	M3	E2	H1
gpio_42	General-purpose IO 42	IO	L3	D1	H2
gpio_43	General-purpose IO 43	IO	K3	D2	G2
gpio_44	General-purpose IO 44	IO	H2	V1	R2

(1) NA in table stands for Not Applicable.

(2) Type = Ball type for this specific function (I = Input, O = Output, Z = high-impedance, D = Open Drain, DS = Differential, A = Analog)

**Table 2-27. General-Purpose IOs Signals Description (continued)**

SIGNAL NAME	DESCRIPTION	TYPE <sup>(2)</sup>	BALL BOTTOM (CBB Pkg.)	BALL BOTTOM (CBC Pkg.)	BALL BOTTOM (CUS Pkg.)
gpio_45	General-purpose IO 45	IO	K2	Y1	T2
gpio_46	General-purpose IO 46	IO	P1	T1	U1
gpio_47	General-purpose IO 47	IO	R1	U2	R3
gpio_48	General-purpose IO 48	IO	R2	U1	T3
gpio_49	General-purpose IO 49	IO	T2	P1	U2
gpio_50	General-purpose IO 50	IO	W1	L2	V1
gpio_51	General-purpose IO 51	IO	Y1	M2	V2
gpio_52	General-purpose IO 52	IO	H3	AD1	NA
gpio_53	General-purpose IO 53	IO	V8	A3	NA
gpio_54	General-purpose IO 54	IO	U8	B6	D2
gpio_55	General-purpose IO 55	IO	T8	B4	F4
gpio_56	General-purpose IO 56	IO	R8	C4	G5
gpio_57	General-purpose IO 57	IO	P8	B5	F3
gpio_58	General-purpose IO 58	IO	N8	C5	G4
gpio_59	General-purpose IO 59	IO	T4	N1	W2
gpio_60	General-purpose IO 60	IO	G3	K2	K5
gpio_61	General-purpose IO 61	IO	U3	J1	L1
gpio_62	General-purpose IO 62	IO	H1	AC6	E1
gpio_63	General-purpose IO 63	IO	L8	AC8	NA
gpio_64	General-purpose IO 64	IO	K8	B3	NA
gpio_65	General-purpose IO 65	IO	J8	C6	C2
gpio_66	General-purpose IO 66	IO	D28	G25	G22
gpio_67	General-purpose IO 67	IO	D26	K24	E22
gpio_68	General-purpose IO 68	IO	D27	M25	F22
gpio_69	General-purpose IO 69	IO	E27	F26	J21
gpio_70	General-purpose IO 70	IO	AG22	AE21	AC19
gpio_71	General-purpose IO 71	IO	AH22	AE22	AB19
gpio_72	General-purpose IO 72	IO	AG23	AE23	AD20
gpio_73	General-purpose IO 73	IO	AH23	AE24	AC20
gpio_74	General-purpose IO 74	IO	AG24	AD23	AD21
gpio_75	General-purpose IO 75	IO	AH24	AD24	AC21
gpio_76	General-purpose IO 76	IO	E26	G26	D24
gpio_77	General-purpose IO 77	IO	F28	H25	E23
gpio_78	General-purpose IO 78	IO	F27	H26	E24
gpio_79	General-purpose IO 79	IO	G26	J26	F23
gpio_80	General-purpose IO 80	IO	AD28	AC26	AC22
gpio_81	General-purpose IO 81	IO	AD27	AD26	AC23
gpio_82	General-purpose IO 82	IO	AB28	AA25	AB22
gpio_83	General-purpose IO 83	IO	AB27	Y25	Y22
gpio_84	General-purpose IO 84	IO	AA28	AA26	W22
gpio_85	General-purpose IO 85	IO	AA27	AB26	V22
gpio_86	General-purpose IO 86	IO	G25	L25	J22
gpio_87	General-purpose IO 87	IO	H27	L26	G23
gpio_88	General-purpose IO 88	IO	H26	M24	G24
gpio_89	General-purpose IO 89	IO	H25	M26	H23
gpio_90	General-purpose IO 90	IO	E28	F25	D23

**PRODUCT PREVIEW**

**Table 2-27. General-Purpose IOs Signals Description (continued)**

SIGNAL NAME	DESCRIPTION	TYPE <sup>(2)</sup>	BALL BOTTOM (CBB Pkg.)	BALL BOTTOM (CBC Pkg.)	BALL BOTTOM (CUS Pkg.)
gpio_91	General-purpose IO 91	IO	J26	N24	K22
gpio_92	General-purpose IO 92	IO	AC27	AC25	V21
gpio_93	General-purpose IO 93	IO	AC28	AB25	W21
gpio_94	General-purpose IO 94	IO	A24	C23	A22
gpio_95	General-purpose IO 95	IO	A23	D23	E18
gpio_96	General-purpose IO 96	IO	C25	C25	B22
gpio_97	General-purpose IO 97	IO	C27	C26	J19
gpio_98	General-purpose IO 98	IO	C23	B23	H24
gpio_99	General-purpose IO 99	I	AG17	AE16	AB18
gpio_100	General-purpose IO 100	I	AH17	AE15	AC18
gpio_101	General-purpose IO 101	IO	B24	A24	G19
gpio_102	General-purpose IO 102	IO	C24	B24	F19
gpio_103	General-purpose IO 103	IO	D24	D24	G20
gpio_104	General-purpose IO 104	IO	A25	C24	B21
gpio_105	General-purpose IO 105	IO	K28	P25	L24
gpio_106	General-purpose IO 106	IO	L28	P26	K24
gpio_107	General-purpose IO 107	IO	K27	N25	J23
gpio_108	General-purpose IO 108	IO	L27	N26	K23
gpio_109	General-purpose IO 109	IO	B25	D25	F21
gpio_110	General-purpose IO 110	IO	C26	E26	G21
gpio_111	General-purpose IO 111	IO	B26	E25	C22
gpio_112	General-purpose IO 112	I	AG19	AD17	NA
gpio_113	General-purpose IO 113	I	AH19	AD16	NA
gpio_114	General-purpose IO 114	I	AG18	AE18	NA
gpio_115	General-purpose IO 115	I	AH18	AE17	NA
gpio_116	General-purpose IO 116	IO	P21	U18	V20
gpio_117	General-purpose IO 117	IO	N21	R18	T21
gpio_118	General-purpose IO 118	IO	R21	T18	V19
gpio_119	General-purpose IO 119	IO	M21	R19	R20
gpio_120	General-purpose IO 120	IO	N28 / T28	W19 / N19	M23 / R21
gpio_121	General-purpose IO 121	IO	M27 / T25	U20 / L18	L23 / R23
gpio_122	General-purpose IO 122	IO	N27 / R28	V19 / M19	M22 / P23
gpio_123	General-purpose IO 123	IO	N26	M18	M21
gpio_124	General-purpose IO 124	IO	N25 / T26	W18 / K18	M20
gpio_125	General-purpose IO 125	IO	P28 / T27	V20 / N20	N23
gpio_126	General-purpose IO 126	IO	D25 / P27	M20 / D26	J20 / N22
gpio_127	General-purpose IO 127	IO	P26	P17	N21
gpio_128	General-purpose IO 128	IO	R27	P18	N20
gpio_129	General-purpose IO 129	IO	R25	P19	P24
gpio_130	General-purpose IO 130	IO	AE2 / U28	Y20 / W10	Y1 / T23
gpio_131	General-purpose IO 131	IO	AG5 / U27	V18 / R10	AB5 / U24
gpio_132	General-purpose IO 132	IO	AH5	T10	AB3
gpio_133	General-purpose IO 133	IO	AH4	T9	Y3
gpio_134	General-purpose IO 134	IO	AG4	U10	W3
gpio_135	General-purpose IO 135	IO	AF4	U9	V3
gpio_136	General-purpose IO 136	IO	AE4	V10	AB2

PRODUCT PREVIEW



**Table 2-27. General-Purpose IOs Signals Description (continued)**

SIGNAL NAME	DESCRIPTION	TYPE <sup>(2)</sup>	BALL BOTTOM (CBB Pkg.)	BALL BOTTOM (CBC Pkg.)	BALL BOTTOM (CUS Pkg.)
gpio_137	General-purpose IO 137	IO	AH3	-	AA2
gpio_138	General-purpose IO 138	IO	AF3	-	Y2
gpio_139	General-purpose IO 139	IO	AE3	-	AA1
gpio_140	General-purpose IO 140	IO	AF6	-	V6
gpio_141	General-purpose IO 141	IO	AE6	-	V5
gpio_142	General-purpose IO 142	IO	AF5	-	W4
gpio_143	General-purpose IO 143	IO	AE5	-	V4
gpio_144	General-purpose IO 144	IO	AB26	Y24	NA
gpio_145	General-purpose IO 145	IO	AB25	AA24	NA
gpio_146	General-purpose IO 146	IO	AA25	AD22	NA
gpio_147	General-purpose IO 147	IO	AD25	AD21	NA
gpio_148	General-purpose IO 148	IO	AA8	L4	W7
gpio_149	General-purpose IO 149	IO	AA9	R2	W6
gpio_150	General-purpose IO 150	IO	W8	-	AC2
gpio_151	General-purpose IO 151	IO	Y8	H3	V7
gpio_152	General-purpose IO 152	IO	AE1	-	NA
gpio_153	General-purpose IO 153	IO	AD1	-	NA
gpio_154	General-purpose IO 154	IO	AD2	-	NA
gpio_155	General-purpose IO 155	IO	AC1	-	NA
gpio_156	General-purpose IO 156	IO	Y21	U19	W19
gpio_157	General-purpose IO 157	IO	AA21	V17	AB20
gpio_158	General-purpose IO 158	IO	V21	U17	W18
gpio_159	General-purpose IO 159	IO	U21	T20	Y18
gpio_160	General-purpose IO 160	IO	T21	T19	AA18
gpio_161	General-purpose IO 161	IO	K26	P20	AA19
gpio_162	General-purpose IO 162	IO	W21	T17	V18
gpio_163	General-purpose IO 163	IO	H18	F23	A23
gpio_164	General-purpose IO 164	IO	H19	F24	B23
gpio_165	General-purpose IO 165	IO	H20	H24	B24
gpio_166	General-purpose IO 166	IO	H21	G24	C23
gpio_167	General-purpose IO 167	IO	B23	A23	F18
gpio_168	General-purpose IO 168	IO	AF15	C2	AC15
gpio_169	General-purpose IO 169	IO	U26	W20	U23
gpio_170	General-purpose IO 170	IO	J25	J23	A24
gpio_171	General-purpose IO 171	IO	AB3	P9	T5
gpio_172	General-purpose IO 172	IO	AB4	P8	R4
gpio_173	General-purpose IO 173	IO	AA4	P7	T4
gpio_174	General-purpose IO 174	IO	AC2	R7	T6
gpio_175	General-purpose IO 175	IO	AC3	R8	NA
gpio_176	General-purpose IO 176	IO	AB1	R9	NA
gpio_177	General-purpose IO 177	IO	AB2	T8	R5
gpio_178	General-purpose IO 178	IO	AA3	W7	N5
gpio_179	General-purpose IO 179	IO	Y2	W8	N4
gpio_180	General-purpose IO 180	IO	Y3	U8	N3
gpio_181	General-purpose IO 181	IO	Y4	V8	M5
gpio_182	General-purpose IO 182	IO	V3	V9	M4

**PRODUCT PREVIEW**

**Table 2-27. General-Purpose IOs Signals Description (continued)**

SIGNAL NAME	DESCRIPTION	TYPE <sup>(2)</sup>	BALL BOTTOM (CBB Pkg.)	BALL BOTTOM (CBC Pkg.)	BALL BOTTOM (CUS Pkg.)
gpio_183	General-purpose IO 183	IO	AE15	C1	AC14
gpio_184	General-purpose IO 184	IO	AF14	AB4	AC13
gpio_185	General-purpose IO 185	IO	AG14	AC4	AC12
gpio_186	General-purpose IO 186	IO	AE22	W11	AE6
gpio_188	General-purpose IO 188	IO	U25	W17	W24
gpio_189	General-purpose IO 189	IO	V28	Y18	V23
gpio_190	General-purpose IO 190	IO	V27	Y19	W23
gpio_191	General-purpose IO 191	IO	V26	Y17	T22

PRODUCT PREVIEW

## 2.4.8 System and Miscellaneous Terminals

**Table 2-28. System and Miscellaneous Signals Description**

SIGNAL NAME	DESCRIPTION	TYPE <sup>(1)</sup>	BALL BOTTOM (CBB Pkg.)	BALL TOP (CBB Pkg.)	BALL BOTTOM (CBC Pkg.)	BALL TOP (CBC Pkg.)	BALL BOTTOM (CUS Pkg.)
sys_32k	32-kHz clock input	I	AE25	NA	AE20	-	AA16
sys_xtalin	Main input clock. Oscillator input or LVCMOS at 19.2, 13, or 12 MHz.	I	AE17	NA	AF19	-	AD15
sys_xtalout	Output of oscillator	O	AF17	NA	AF20	-	AD14
sys_altclk	Alternate clock source selectable for GPTIMERS (maximum 54 MHz), USB (48 MHz), or NTSC/PAL (54 MHz)	I	J25	NA	J23	-	A24
sys_clkreq	Request from OMAP3530/25 device for system clock (open source type)	IO	AF25	NA	W15	-	Y13
sys_clkout1	Configurable output clock1	O	AG25	NA	AE14	-	Y7
sys_clkout2	Configurable output clock2	O	AE22	NA	W11	-	AA6
sys_boot0	Boot configuration mode bit 0	I	AH26	NA	F3	-	AB12
sys_boot1	Boot configuration mode bit 1	I	AG26	NA	D3	-	AC16
sys_boot2	Boot configuration mode bit 2	I	AE14	NA	C3	-	AD17
sys_boot3	Boot configuration mode bit 3	I	AF18	NA	E3	-	AD18
sys_boot4	Boot configuration mode bit 4	I	AF19	NA	E4	-	AC17
sys_boot5	Boot configuration mode bit 5	I	AE21	NA	G3	-	AB16
sys_boot6	Boot configuration mode bit 6	I	AF21	NA	D4	-	AA15
sys_nrespwrn	Power On Reset	I	AH25	NA	V13	-	AA10
sys_nreswarm	Warm Boot Reset (open drain output)	IOD	AF24	NA	AD7	-	Y10
sys_nirq	External FIQ input	I	AF26	NA	V16	-	W16
sys_nvmode1	Indicates the voltage mode	O	AD26	NA	AD15	-	Y16
sys_nvmode2	Indicates the voltage mode	O	AE26	NA	W16	-	Y15
sys_off_mode	Indicates the voltage mode	O	AF22	NA	V12	-	AD23
sys_ndmareq0	External DMA request 0 (system expansion). Level (active low) or edge (falling) selectable.	I	U8	NA	B6	-	D2
sys_ndmareq1	External DMA request 1 (system expansion). Level (active low) or edge (falling) selectable.	I	T8 / J8	NA	B4 / C6	-	F4 / C2
sys_ndmareq2	External DMA request 2 (system expansion). Level (active low) or edge (falling) selectable.	I	L3 / R8	NA	D1 / C4	-	H2 / G5
sys_ndmareq3	External DMA request 3 (system expansion). Level (active low) or edge (falling) selectable.	I	K3 / P8	NA	D2 / B5	-	G2 / F3
sys_secure_indicator	MSECURE transactions indicator	O	AG9	NA	V2	-	AD5
sys_drm_msecure	MSECURE output	O	AF9	NA	AA4	-	AC4
sys_ipmcsws	Reserved	AI	B1	NA	B1	-	A1
sys_opmcsws	Reserved	AO	A1	NA	A2	-	A2
pop_int0_ft	POP dedicated control signal	O	AG11	AB9	AF10	Y9	NA
pop_int1_ft	POP dedicated control signal	O	AH11	AC9	AE2	W2	NA
pop_tq_temp_sense_ft	POP dedicated control signal	NA	AH16	AC14	AF14	AA12	NA

(1) Type = Ball type for this specific function (I = Input, O = Output, Z = high-impedance, D = Open Drain, DS = Differential, A = Analog)

**Table 2-28. System and Miscellaneous Signals Description (continued)**

SIGNAL NAME	DESCRIPTION	TYPE <sup>1)</sup>	BALL BOTTOM (CBB Pkg.)	BALL TOP (CBB Pkg.)	BALL BOTTOM (CBC Pkg.)	BALL TOP (CBC Pkg.)	BALL BOTTOM (CUS Pkg.)
pop_reset_rp_ft	POP dedicated control signal	NA	AG13	AB11	-	AA5	NA

PRODUCT PREVIEW

## 2.4.9 Power Supplies

**Table 2-29. Power Supplies Signals Description<sup>(1)</sup>**

SIGNAL NAME	DESCRIPTION	BALL BOTTOM (CBB Pkg.)	BALL TOP (CBB Pkg.)	BALL BOTTOM (CBC Pkg.)	BALL TOP (CBC Pkg.)	BALL BOTTOM (CUS Pkg.)
vdd_mpu_iva	ARM/IVA power domain	Y9 / W9 / T9 / R9 / M9 / L9 / J9 / Y10 / U10 / T10 / R10 / N10 / M10 / L10 / J10 / Y11 / W11 / K11 / J11 / W12 / K13 / Y14 / K14 / J14 / Y15 / W15 / J15	NA	H7/ N7/ U7/ V7/ N8/ G9/ L9/ M9/ W9/ Y9/ M10/ P10/ K11/ U11/ V11/ Y11/ G12/ D13/ U13	NA	W13/ W12/ V13/ V12/ U13/ U12/ T8/ T7/ R8/ R7/ R6/ N8/ N7/ N6/ M12/ M8/ M7/ M6/ L12/ L11/ J10/ J9/ H10/ H9/ G10/ G9/ F10
vdd_core	Core power domain	AC4 / J4 / H4 / D8 / AE9 / D9 / D15 / Y16 / AE18 / Y18 / W18 / K18 / J18 / AE19 / Y19 / U19 / T19 / N19 / M19 / J19 / Y20 / W20 / V20 / U20 / P20 / N20 / K20 / J20 / D22 / D23 / AE24 / M25 / L25 / E25	NA	M7/ T7/ Y8/ G11/ Y12/ D15/ M17/ G18/ H20/ R20/ AC21	NA	T20/ T19/ T18/ T17/ R19/ R18/ R17/ M15/ M14/ L15/ L14/ K19/ K18/ K17/ J18/ J17/ H13/ H12/ G13/ G12/ F13/ F12
cap_vdd_wkup	Wakeup/EMU/memory domains, connect capacitor	AA15	NA	K14	NA	Y12
bg_testout	Used for band gap test	U4	NA	D6	NA	AD1
vdds_dppll_dll	DLL IO power domain (1.8 V): internal connection to PLL_VDDDS, power supply for 3PLL (1.8 V)	K15	NA	K13	NA	G18
vpp	eFuse programming	G1	NA	D5	NA	B1
vdda_dac	Video DAC power plane	V25	NA	V25	NA	AB13
vssa_dac	Video DAC ground plane	Y26	NA	V24	NA	AB15
vdds	IO power plane	AD3 / AD4 / W4 / AF8 / AE8 / AF16 / AE16 / AF23 / AE23 / F25 / F26 / AG27/ AE27/ AG20/ H28/ AG21/P25	NA	G4/ M4/ T4/ Y4/ L7/ AC7/ D9/ AE10/ C11/ J15/ AC15/ A18/ J18/ AC18/ AD20/ E24/ L24/ T24/ W24/ AC24	-	Y9 / W10 / W9 / V10 / V9 / U10 / N19 / N18 / N17 / M19 / M18 / M17 / H8
vdds_mem	Memory IO power plane	U1 / J1 / F1 / J2 / F2 / R4 / B5 / A5 / AH6 / B8 / A8 / B12 / A12 / D16 / C16 / B18 / A18 / B22 / A22 / G28 / C28	AC5 / P1 / H1 / F23 / E1 / C23 / A4 / A7 / A10 / A15 / A18			K8 / K7 / K6 / J8 / J7 / J6 / H15 / G16 / G15 / F16 / F15 / E16
vdds_dppll_per	Peripheral DPLLs power rail	AA16	NA	U14	NA	U17
vdds_wkup_bg	For wakeup LDO and VDDA (2 LDOs SRAM and BG)	AA14	NA	W14	NA	AA13

(1) NA = Not Applicable.

**Table 2-29. Power Supplies Signals Description (continued)**

SIGNAL NAME	DESCRIPTION	BALL BOTTOM (CBB Pkg.)	BALL TOP (CBB Pkg.)	BALL BOTTOM (CBC Pkg.)	BALL TOP (CBC Pkg.)	BALL BOTTOM (CUS Pkg.)
vss	Ground	AG2 / U2 / B2 / AG3 / W3 / P3 / J3 / E3 / A3 / P4 / E4 / AG6 / D7 / C7 / V9 / U9 / P9 / N9 / K9 / W10 / V10 / P10 / K10 / D10 / C10 / AF12 / AE12 / Y12 / K12 / J12 / Y13 / W13 / J13 / D13 / C13 / W14 / K16 / J16 / Y17 / W17 / K17 / J17 / W19 / V19 / R19 / P19 / L19 / K19 / D19 / C19 / AF20 / AE20 / T20 / R20 / M20 / L20 / D21 / C22 / AC25 / Y25 / W25 / AC26 / R26 / L26 / A26 / G27 / B27 / AA26 / M28 / AG16 / AH21	H2 / B18 / AC20 / AB5 / AB14 / AB20 / P2 / F22 / E2 / C22 / B4 / B7 / B10 / B15	G1 / K1 / R1 / W1 / B2 / H4 / N4 / R4 / W4 / AB5 / A6 / D7 / Y7/AE7 / A8 / G8 / D10 / G10 / L10 / N10 / Y10 / AC10 / C12 / D12/A13 / D14 / AD14 / K15 / Y16 / L17 / N17 / R17 / D18 / D20/G20 / E22 / AB22 / G23 / L23 / T23 / W23 / AF23 / B25 / K25/U25 / AD25	C1 / F1 / H2 / M2 / R2 / Y6/AA7 / Y11 / AA16 / W20/P20 / L21 / H20 / F20 / B14/A13 / A7	W15 / V16 / V15 / U16 / U15 / U14 / U11 / U9/T16 / T15 / T14 / T13 / T12 / T11 / T10 / T9 / R15 / R14 / R11 / R10 / P17 / P15 / P14 / P13/P12 / P11 / P10 / P8 / N16 / N15 / N14 / N13 / N12 / N11 / N10 / N9 / M16 / M13 / M11 / M10 / M9 / L17 / L13 / L10 / L8 / K15 / K14 / K11 / K10 / J16 / J15 / J14 / J13 / J12 / J11/H16 / H14 / H11
vdds_sram	SRAM LDOs	W16	NA	U12	NA	AA12
vdds_mmc1	MMC IO power domain for CMD, CLK, and DAT(0..3)	K25	NA	N23	NA	N24
vdds_mmc1a	Power supply for MMC DAT [4..7]	P25	NA	P23	NA	H8
cap_vdd_sram_mpu_iva	SRAM LDO capacitance for VDDRAM1	V4	NA	N9	NA	U8
cap_vdd_sram_core	SRAM LDO capacitance for VDDRAM2	L21	NA	K20	NA	H17
pop_dds_vdd_ft	POPped SDRAM power	A15 / J28 / M1 / AF28 / AE28	AA23 / Y23 / K1 / H23 / A12	L1/AF13/AF17/AF18 /A20/U26/K26	J1/AA11/Y14/AA17/ B16/P21/H21	NA
pop_flash_vpp_ft	POPped flash vpp	AH13	AC11	AA11	AF13	NA
pop_flash_vdd_ft	POPped flash power	N1 / AA1 / AF1 / AH10 / AH15	AC8 / AC13 / AA1 / U1 / L1	AF16/AF22/T2/Y2/A F8/AF5	AA14/AA19/N2/T2/Y 7/AA6	NA
pop_vss_ft	POPped devices ground	B15 / J27 / M2 / M26 / N2 / AA2 / AF2 / AF27 / AG10 / AG15	AB8 / AB13 / AA2 / AA22 / U2 / L2 / K2 / K22 / H22 / B12	AF15/AF21/AF24	AA13/Y17/Y19	NA

## 3 ELECTRICAL CHARACTERISTICS

### 3.1 Power Domains

The OMAP3530/25 device integrates enhanced features that dynamically adapt energy consumption according to application needs and performance requirements.

The OMAP3530/25 device includes an enhanced power-management scheme based on:

- Nine independent functional voltage domains on chip partitioning
- Multiple voltage domains
- Voltage scaling support
- Enhanced memory retention support
- Optimized device off mode
- Centralized management of power, reset, and clock

The external power supplies of OMAP3530/25 are:

- vdd\_mpu\_iva for the ARM and IVA2.2 processors
- vdd\_core for macros
- vdds for IO macros
- vdds\_mem for memory macros
- vdds\_sram for SRAM LDOs
- vdds\_dpII\_dll for DLL IO
- vdds\_dpII\_per for peripheral DPLLs
- vdds\_wkup\_bg for wakeup LDO and VDDA (2 LDOs: SRAM and BandGap)
- vdda\_dac for video DAC
- vdds\_mmc1 for MMC IO
- vpp for eFuse

The supply voltages are detailed in [Table 3-3](#).

[Figure 3-1](#) illustrates the power domains:

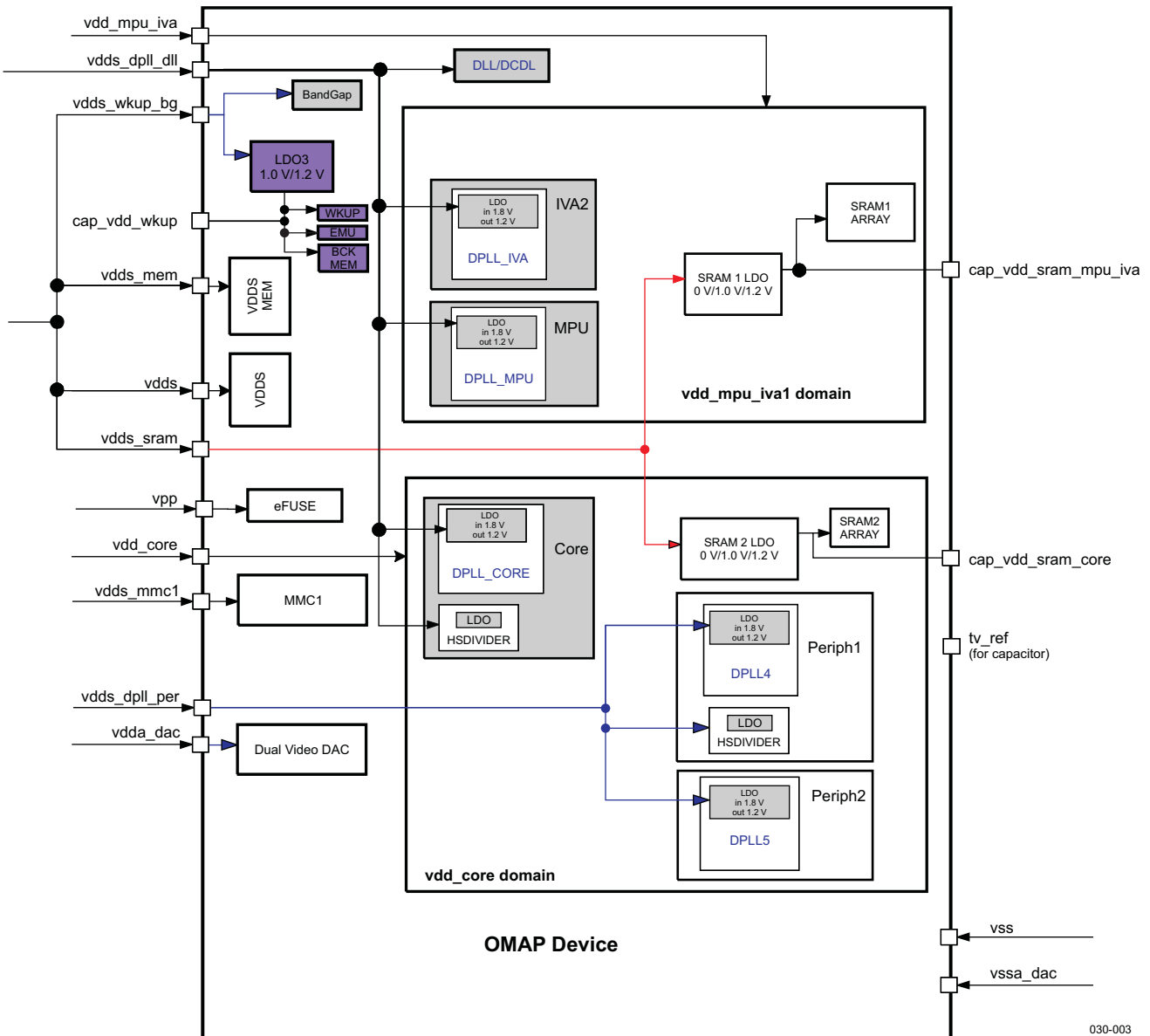


Figure 3-1. OMAP3530/25 Power Domains

This power domain segmentation switches off (or places in retention state) domains that are unused while keeping others active. This implementation is based on internal switches that independently control each power domain.

A power domain regular logic is attached to one of the device  $V_{DD}$  supplies through a primary domain switch. When the primary switch is open, most of the logic supply is off, resulting in a low-leakage state of the domain. Embedded switches are implemented for all power domains except the wake-up domain. This allows the domain to be powered off, if not being used, to give maximum power savings. For more information, see the PRCM chapter of the *OMAP35x Technical Reference Manual (TRM)* [literature number [SPRUFA5](#)].

All domain output signals at the interface between power domains are connected through isolation latch cells. These cells ensure a proper electrical isolation between the domains and an appropriate interface state at the domain boundaries.

030-003

PRODUCT PREVIEW



### 3.2 Absolute Maximum Ratings

The following table specifies the absolute maximum ratings over the operating junction temperature range of OMAP commercial and extended temperature devices. Stresses beyond those listed under absolute maximum ratings may cause permanent damage to the device. These are stress ratings only and functional operation of the device at these or any other conditions beyond those indicated under recommended operating conditions is not implied. Exposure to absolute-maximum-rated conditions for extended periods may affect device reliability.

#### Notes:

- Logic functions and parameter values are not assured out of the range specified in the recommended operating conditions.
- The OMAP3530/25 device adheres to EIA/JESD22–A114, Electrostatic Discharge (ESD) Sensitivity Testing Human Body Model (HBM). Minimum pass level for HBM is  $\pm 2$  kV.

**Table 3-1. Absolute Maximum Ratings Over Operating Junction Temperature Range**

PARAMETER		MIN	MAX	UNIT		
vdd_mpu_iva vdd_core	Supply voltage range for core macros	–0.5	1.6	V		
vdds vdds_mem	Second supply voltage range for 1.8-V I/O macros	–0.5	2.25	V		
vdds_mmc1 vdds_mmc1a	Second supply voltage range for 1.8-V IOs	–0.5	2.45	V		
	Second supply voltage range for 3.0-V IOs	–0.5	3.50			
vdds_dsi vdds_sdi vdds_csi2 vdds_csi2b	Supply voltage for DSI Supply voltage for SDI Supply voltage for CSI2 Supply voltage for CSIb	–0.5 <sup>(1)</sup>	2.10 <sup>(1)</sup>	V		
vdds_dppll_dll vdds_dppll_per	Supply voltage for DLL DPLL Supply voltage for Per DPLL	–0.5	2.10	V		
vdds_sram vdds_wkup_bg	Supply voltage for SRAM LDOs Supply voltage for wakeup LDO and VDDA (2 LDOs SRAM and BG)	–0.5	2.25	V		
V <sub>PAD</sub>	Voltage range at PAD	CS1b (Balls K28, L28, K27, L27) CS12 (Balls AG17, AH17, AG19, AH19, AG18, AH18) DSI (Balls AG22, AH22, AG23, AH23, AG24, AH24) SDI (Balls AD28, AD27, AB28, AB27, AA28, AA27, AC27, AC28)	–0.5 <sup>(1)</sup>	2.10 <sup>(1)</sup>	V	
		MMC1, MS (Balls N28, M27, N27, N26, N25, P28) MMC1, SIM (Balls P27, P26, R27, R25)	Supply voltage range for 1.8-V IOs	–0.54 <sup>(2)</sup>		2.34 <sup>(2)</sup>
			Supply voltage range for 3.0-V IOs	–0.45 <sup>(3)</sup>		3.45 <sup>(3)</sup>
		I2C1, I2C2, I2C3, I2C4 (Balls K21, J21, AF15, AE15, AF14, AG14, AD26, AE26)	–0.63 <sup>(2)</sup>	2.73 <sup>(2)</sup>		
		Crystal (xtalin/xtalout) (Balls AE17, AF17)	–0.5	2.71		
	Other balls	–0.5	vddsx <sup>(4)</sup> + 0.5			
vdda_dac	Supply voltage range for analog macros	–0.5	2.43	V		
V <sub>ESD</sub>	ESD stress voltage <sup>(5)</sup>	HBM (human body model) <sup>(6)</sup>		2000	V	
		CDM (charged device model) <sup>(7)</sup>		500		
I <sub>IOI</sub>	Current-pulse injection on each I/O pin <sup>(8)</sup>		200	mA		
I <sub>clamp</sub>	Clamp current for an input or output	–20	20	mA		

(1) To be confirmed.

(2) For a maximum time of 30% time period.

(3) For a maximum time of 15% time period.

(4) ) Depending on ball, vddsx can be vdds\_mem or vdds.

(5) Electrostatic discharge (ESD) to measure device sensitivity/immunity to damage caused by electrostatic discharges into the device.

(6) JEDEC JESD22–A114 D with the following exception-no connect pins are not stressed. 2000V Human Body Model (HBM)

(7) JEDEC JESD22–C101C with the following exception-split out pin groupings to eliminate cumulative stress effect

(8) Each device is tested with I/O pin injection of 200 mA with a stress voltage of 1.5 times maximum vdd at room temperature.

**Table 3-1. Absolute Maximum Ratings Over Operating Junction Temperature Range (continued)**

PARAMETER		MIN	MAX	UNIT
T <sub>stg</sub>	Storage temperature range <sup>(9)</sup>	–65	150	°C

This section includes the maximum power consumption for each power domain (core, IVA2, etc.).

[Table 3-2](#) summarizes the power consumption at the ball level.

(9) These temperatures extreme do not simulate actual operating conditions but exaggerate any faults that might exist.

**Table 3-2. Estimated Maximum Power Consumption At Ball Level**

PARAMETER		MAX ( T = 90°C)	MAX ( T = 105°C)	UNIT	
Signal	Description				
vdd_mpu_iva	Processors	OMAP3530/25 (SmartReflex™ Enabled)	1137	1209	mA
		OMAP3530/25 (SmartReflex™ Disabled)	1384	1520	
vdd_core	Core	OMAP3530 (SmartReflex™ Enabled)	433	490	mA
		OMAP3530 (SmartReflex™ Disabled)	509	599	
		OMAP3525 (SmartReflex™ Enabled)	328	382	
		OMAP3525(SmartReflex™ Disabled)	378	485	
		OMAP35 (SmartReflex™ Enabled)			
		OMAP35 (SmartReflex™ Disabled)			
		OMAP35 (SmartReflex™ Enabled)			
		OMAP35(SmartReflex™ Disabled)			
vdda_dac	Video DAC	65	65	mA	
vdss_dppll_dll	DLL + DPLL MPU, DSP, and core	25	25	mA	
vdss_dppll_per	DPLL peripheral 1 and peripheral 2	15	15	mA	
vdss_sram	Processors and core LDO (LDO1 and LDO2)	41	41	mA	
vdss_wkup_bg	Bandgap, wakeup + LDO, EMU off	6	6	mA	
vdss_mem	Standard I/Os (SDRC+GPMC)	37	37	mA	
vdss	Standard I/Os (all excluding SDRC and GPMC)	63	63	mA	
vdss_mmc1	MMC I/O <sup>(1)</sup>	20	20	mA	
vdss_mmc1a	Power supply for MMC IO [DAT4 – DAT8]	2	2	mA	
vpp	eFuse	50	50	mA	

(1) MMC card and I/O card are not included.

### 3.3 Recommended Operating Conditions

All OMAP3530/25 modules are used under the operating conditions contained in [Table 3-3](#).

**Note:**

To avoid significant device degradation for commercial temperature OMAP3530/OMAP3525 devices ( $0^{\circ}\text{C} \leq T_j \leq 90^{\circ}\text{C}$ ), the device power-on hours (POH) must be limited to one of the following:

- 100K total POH when operating across all OPPs and keeping the time spent at OPP5 to less than 23K POH.
- 50K total POH when operating *exclusively* at OPP5.
- 44K total POH with *no restrictions* to the proportion of these POH at operating points OPP1 - OPP5.

To avoid significant device degradation for industrial temperature OMAP3530A/OMAP3525A devices ( $-40^{\circ}\text{C} \leq T_j \leq 105^{\circ}\text{C}$ ), the following restrictions apply:

- OPP5 is not supported.\*
- The total device POH must be limited to less than 50K.\*

\*If an industrial temperature device is operated such that  $T_j$  never exceeds  $90^{\circ}\text{C}$  ( $-40^{\circ}\text{C} \leq T_j \leq 90^{\circ}\text{C}$ ) then the OPP POH limits for commercial devices indicated above apply.

**Note:** Logic functions and parameter values are not assured out of the range specified in the recommended operating conditions.

**Table 3-3. Recommended Operating Conditions**

PARAMETER	DESCRIPTION		MIN	NOM	MAX	UNIT
V <sub>DD1</sub> (vdd_mpu_iva), SmartReflex Enabled	OMAP processor core supply	OPP5: Overdrive	$V_{DD1NOM} - (0.04 \cdot V_{DD1NOM})$	TBD	$V_{DD1NOM} + (0.04 \cdot V_{DD1NOM})$	V
		OPP4: Mid-Overdrive	$V_{DD1NOM} - (0.04 \cdot V_{DD1NOM})$	TBD	$V_{DD1NOM} + (0.04 \cdot V_{DD1NOM})$	V
		OPP3: Nominal	$V_{DD1NOM} - (0.04 \cdot V_{DD1NOM})$	TBD	$V_{DD1NOM} + (0.04 \cdot V_{DD1NOM})$	V
		OPP2: Low-Power	$V_{DD1NOM} - (0.04 \cdot V_{DD1NOM})$	TBD	$V_{DD1NOM} + (0.04 \cdot V_{DD1NOM})$	V
		OPP1: Ultra Low-Power	$V_{DD1NOM} - (0.04 \cdot V_{DD1NOM})$	TBD	$V_{DD1NOM} + (0.04 \cdot V_{DD1NOM})$	V
V <sub>DD2</sub> (vdd_core) SmartReflex Enabled	OMAP processor core logic supply	OPP3: Nominal	$V_{DD2NOM} - (0.04 \cdot V_{DD2NOM})$	TBD	$V_{DD2NOM} + (0.04 \cdot V_{DD2NOM})$	V
		OPP2: Low-Power	$V_{DD2NOM} - (0.04 \cdot V_{DD2NOM})$	TBD	$V_{DD2NOM} + (0.04 \cdot V_{DD2NOM})$	V
		OPP1: Ultra Low-Power	$V_{DD2NOM} - (0.04 \cdot V_{DD2NOM})$	TBD	$V_{DD2NOM} + (0.04 \cdot V_{DD2NOM})$	V
V <sub>DD1</sub> (vdd_mpu_iva), SmartReflex Disabled	OMAP processor core supply	OPP5: Overdrive	$V_{DD1NOM} - (0.04 \cdot V_{DD1NOM})$	1.35	$V_{DD1NOM} + (0.04 \cdot V_{DD1NOM})$	V
		OPP4: Mid-Overdrive	$V_{DD1NOM} - (0.04 \cdot V_{DD1NOM})$	1.27	$V_{DD1NOM} + (0.04 \cdot V_{DD1NOM})$	V
		OPP3: Nominal	$V_{DD1NOM} - (0.04 \cdot V_{DD1NOM})$	1.20	$V_{DD1NOM} + (0.04 \cdot V_{DD1NOM})$	V
		OPP2: Low-Power	$V_{DD1NOM} - (0.04 \cdot V_{DD1NOM})$	1.00	$V_{DD1NOM} + (0.04 \cdot V_{DD1NOM})$	V
		OPP1: Ultra Low-Power	$V_{DD1NOM} - (0.04 \cdot V_{DD1NOM})$	0.95	$V_{DD1NOM} + (0.04 \cdot V_{DD1NOM})$	V
V <sub>DD2</sub> (vdd_core) SmartReflex Disabled	OMAP processor core logic supply	OPP3: Nominal	$V_{DD2NOM} - (0.04 \cdot V_{DD2NOM})$	1.15	$V_{DD2NOM} + (0.04 \cdot V_{DD2NOM})$	V
		OPP2: Low-Power	$V_{DD2NOM} - (0.04 \cdot V_{DD2NOM})$	1.00	$V_{DD2NOM} + (0.04 \cdot V_{DD2NOM})$	V
		OPP1: Ultra Low-Power	$V_{DD2NOM} - (0.04 \cdot V_{DD2NOM})$	0.95	$V_{DD2NOM} + (0.04 \cdot V_{DD2NOM})$	V

PRODUCT PREVIEW

**Table 3-3. Recommended Operating Conditions (continued)**

PARAMETER	DESCRIPTION	MIN	NOM	MAX	UNIT	
vdds	Supply voltage for I/O macros	1.71	1.8	1.89	V	
vdds_mem	Supply voltage for memory I/O macros	1.71	1.8	1.89	V	
vdds_mmc1	Supply voltage for MMC1 macro in 1.8-V mode	1.71	1.8	1.89	V	
	Supply voltage for MMC1 macro in 3-V mode	2.7	3	3.3	V	
vdds_mmc1a	Power supply for SIM I/Os	1.71	1.8	1.89	V	
vdds_wkup_bg	Wakeup LDO	1.71	1.8	1.89	V	
vdda_dac	Analog supply voltage for video DAC	1.71	1.8	1.89	V	
vdds_sram	SRAM LDOs	1.71	1.8	1.89	V	
vdds_dppll_per	Peripherals DPLLs power supply	1.71	1.8	1.89	V	
vdds_dppll_dll	Supply voltage for DPLLs I/Os	1.71	1.8	1.89	V	
vpp <sup>(1)</sup>	eFuse programming				V	
vss	Ground	0	0	0	V	
vssa_dac	Dedicated ground for DAC	0	0	0	V	
T <sub>J</sub>	Operating junction temperature range	Commercial Temperature	0	–	90	°C
		Extended Temperature	-40	–	105	°C

(1) It is recommended not to connect this pin. It is just used for eFuse programming on package unit.

### 3.4 DC Electrical Characteristics

Table 3-4 summarizes the dc electrical characteristics.

**Table 3-4. DC Electrical Characteristics**

PARAMETER		MIN	NOM	MAX	UNIT
<b>LVCMOS Pin Buffers - CBB: N28, M27, N27, N26, N25, P28,P27, P26, R27, R25/ CBC: N19, L18, M19, M18, K18, N20, M20, P17, P18, P19/ CUS: M23, L23, M22, M21, M20, N23</b>					
V <sub>IH</sub>	High-level input voltage	vdds <sup>(1)</sup> = 1.8 V	0.65 × vdds <sup>(1)</sup>	vdds + 0.3	V
		vdds <sup>(1)</sup> = 3.0 V	0.625 × vdds <sup>(1)</sup>	vdds + 0.3	
V <sub>IL</sub>	Low-level input voltage	vdds <sup>(1)</sup> = 1.8 V	−0.3	0.35 × vdds	V
		vdds <sup>(1)</sup> = 3.0 V	−0.3	0.25 × vdds	
V <sub>OH</sub>	High-level output voltage <sup>(2)</sup>	vdds <sup>(1)</sup> = 1.8 V	vdds <sup>(1)</sup> − 0.2		V
		vdds <sup>(1)</sup> = 3.0 V	0.75 × vdds <sup>(1)</sup>		
V <sub>OL</sub>	Low-level output voltage <sup>(2)</sup>	vdds <sup>(1)</sup> = 1.8 V		0.2	V
		vdds <sup>(1)</sup> = 3.0 V		0.125 × vdds <sup>(1)</sup>	
t <sub>T</sub>	Input transition time (rise time, t <sub>R</sub> or fall time, t <sub>F</sub> evaluated between 10% and 90% at PAD)	Normal Mode		10	ns
		High-Speed Mode		3	
<b>LVDS/CMOS Pin Buffers - CBB: AG19, AH19, AG18, AH18, AG17, AH17/ CBC: AE16, AE15, AD17, AE18, AD16, AE17/ CUS: AB18, AC18</b>					
<b>Low-Power Receiver (LP-RX)</b>					
V <sub>IL</sub>	Low-level input threshold			500	mV
V <sub>IH</sub>	High-level input threshold	800			mV
V <sub>HYS</sub>	Input hysteresis	25			mV
<b>Ultralow-Power Receiver (ULP-RX)</b>					
V <sub>IL-ULPM</sub>	Low-level input threshold, ULPM			300	mV
V <sub>IH</sub>	High-level input threshold	880			mV
<b>High-Speed Receiver (HS-RX)</b>					
V <sub>IDTH</sub>	Differential input high threshold	70			mV
V <sub>IDTL</sub>	Differential input low threshold			−70	mV
V <sub>IDMAX</sub>	Maximum differential input voltage			270	mV
V <sub>ILHS</sub>	Single-ended input low voltage	−40			mV
V <sub>IHHS</sub>	Single-ended input high voltage			460	mV
V <sub>CMRXDC</sub>	Common-mode voltage	70		330	mV
<b>LVDS/CMOS Pin Buffers - CBB: K28, L28, K27, L27/ CBC: P25, P26, N25, N26 / CUS: L24, K24, J23, K23</b>					
V <sub>CM</sub>	Input common mode voltage range	600	900	1200	mV
V <sub>OS</sub>	Receiver Input dc offset	−20		20	mV
V <sub>ID</sub>	Receiver input differential amplitude	140	200	400	mV
t <sub>T</sub>	Input transition time (rise time, t <sub>R</sub> or fall time, t <sub>F</sub> evaluated between 10% and 90% at PAD)	267		533	ps
<b>LVDS/CMOS Pin Buffers - CBB: AG22, AH22, AG23, AH23, AG24, AH24/ CBC: AE21, AE22, AE23, AE24, AD23, AD24 / CUS: AC19, AB19, AD20, AC20, AD21, AC21</b>					
<b>High-Speed Transceiver (HS-TX)</b>					
V <sub>OHHs</sub>	HS output high voltage			360	mV
V <sub>OD</sub>	HS transmit differential voltage	140	200	270	mV
V <sub>CMTX</sub>	HS transmit static common mode voltage	150	200	250	mV
<b>Low-Power Transceiver (LP-TX)</b>					

(1) This global value may be overridden on a per interface basis if another value is explicitly defined for that interface (for example, I<sup>2</sup>C).

(2) With 100 μA sink / source current at vdds<sub>xmin</sub>.

**Table 3-4. DC Electrical Characteristics (continued)**

PARAMETER		MIN	NOM	MAX	UNIT
$V_{OL}$	Thevenin output low level	–50		50	mV
$V_{OH}$	Thevenin output high level	1.1	1.2	1.3	V
<b>Low-Power Receiver (LP-RX)</b>					
$V_{IL}$	Low-level input threshold			550	mV
$V_{IH}$	High-level input threshold	880			mV
$V_{HYST}$	Input hysteresis	25			mV
<b>Ultralow-Power Receiver (ULP-RX)</b>					
$V_{IL-ULPS}$	Low-level input threshold, ULPM			300	mV
$V_{IH}$	High-level input threshold	880			mV
<b>subLVDS/CMOS Pin Buffers - CBB: AA27, AA28, AB27, AB28, AD27, AD28, AC28, AC27/ CBC: AC26, AD26, AA25, Y25, AA26, AB26, AC25, AB25/ CUS: V22, W22, Y22, AB22, AC23, AC22, W21, V21</b>					
$V_{od}$	Differential voltage range @ $R_L = 100 \Omega$	100	150	200	mV
$V_{ocm}$	Common mode voltage range	0.8	0.9	1	V
$t_T$	Input transition time ( $V_{od}$ rise time, $t_R$ or $V_{od}$ fall time, $t_F$ evaluated between 20% and 80% at PAD)	200		500	ps
<b>Standard LVCMOS Pin Buffers</b>					
$V_{IH}^{(3)}$	High-level input voltage (Standard LVCMOS)	$0.65 \times v_{dds}$		$v_{dds} + 0.3$	V
$V_{IL}^{(3)}$	Low-level input voltage (Standard LVCMOS)	– 0.3		$0.35 \times v_{dds}$	V
$V_{HYS}$	Hysteresis voltage at an input <sup>(4)</sup>		0.1		V
$V_{OH}$	High-level output voltage, driver enabled, pullup or pulldown disabled	$I_O = I_{OH}$ or $I_O = -2$ mA	$v_{dds} - 0.45$		V
		$I_O = I_{OH} <  -2 $ mA	$v_{dds} - 0.40$		
$V_{OL}$	Low-level output voltage with , driver enabled, pullup or pulldown disabled	$I_O = I_{OL}$ or $I_O = 2$ mA		0.45	V
		$I_O = I_{OL} < 2$ mA		0.40	
$t_T$	Input transition time (rise time, $t_R$ or fall time, $t_F$ evaluated between 10% and 90% at PAD)	0		$10^{(1)}$	ns
$I_I$	Input current with $V_I = V_I$ max	–1		1	$\mu$ A
$I_{OZ}$	Off-state output current for output in high impedance with driver only, driver disabled	–20		20	$\mu$ A
	Off-state output current for output in high impedance with driver/receiver/pullup only, driver disabled, pullup not inhibited		–100		
	Off-state output current for output in high impedance with driver/receiver/pulldown only, driver disabled, pulldown not inhibited		100		
$I_Z$	Total leakage current through the PAD connection of a driver/receiver combination that may include a pullup or pulldown. The driver output is disabled and the pullup or pulldown is inhibited.	– 20		20	$\mu$ A
<b>LVCMOS Open-Drain Pin Buffers Dedicated to I2C IOs - CBB: K21, J21, AF14, AG14, AF15, AE15, AD26, AE26/ CBC: J25, J24, C2, C1, AB4, AC4, AD15, W16, A21, C21/ CUS: K20, K21, AC13, AC12, AC15, AC14, Y16, Y15</b>					
$V_{IH}$	High level input voltage	$0.7 \times v_{dds}$		$v_{dds} + 0.5$	V
$V_{IL}$	Low level input voltage	– 0.5		$0.3 \times v_{dds}$	V
$V_{OL}$	Low-level output voltage open-drain at 3-mA sink current	0		$0.2 \times v_{dds}$	V
$I_I$	Input current at each I/O pin with an input voltage between $0.1 \times v_{dds}$ to $0.9 \times v_{dds}$	– 10		10	$\mu$ A
$C_I$	Capacitance for each I/O pin			10	pF

(3)  $V_{IH}/V_{IL}$  (Standard LVCMOS) parameters are applicable for sys\_altclk input clocks.(4)  $V_{hys}$  is the magnitude of the difference between the positive-going threshold voltage  $V_{T+}$  and the negative-going voltage  $V_{T-}$ .

**Table 3-4. DC Electrical Characteristics (continued)**

PARAMETER		MIN	NOM	MAX	UNIT		
T <sub>OF</sub>	Output fall time from V <sub>IHmin</sub> to V <sub>ILmax</sub> with a bus capacitance C <sub>B</sub> from 10 pF to 400 pF	Fast mode	20 + 0.1C <sub>B</sub>		250	ns	
		Standard mode			250		
	Output fall time with a capacitive load from 10 pF to 100 pF at 3-mA sink current	High-speed mode	10		40		
			Output fall time with a capacitive load of 400 pF at 3-mA sink current	20			80
			Output fall time with a capacitive load of 40 pF (for CBUS compatibility)				20
<b>LVC MOS Open-Drain Pin Buffers Dedicated in GPIO mode - CBB: AF15, AE15, AF14, AG14, AD26, AE26 / CBC: C2, C1, AB4, AC4, AD15, W16, A21, C21/ CUS: AC15, AC14, AC13, AC12, Y16, Y15</b>							
V <sub>IH</sub>	High-level input voltage	0.7 x vdds		vdds + 0.5	V		
V <sub>IL</sub>	Low-level input voltage	- 0.5		0.3 x vdds	V		
V <sub>OH</sub>	High-level output voltage at 4-mA sink current	vdds - 0.45			V		
V <sub>OL</sub>	Low-level output voltage at 4-mA sink current			0.45	V		

PRODUCT PREVIEW



### 3.5 Core Voltage Decoupling

For module performance, decoupling capacitors are required to suppress the switching noise generated by high frequency and to stabilize the supply voltage. A decoupling capacitor is most effective when it is close to the device because this minimizes the inductance of the circuit board wiring and interconnects.

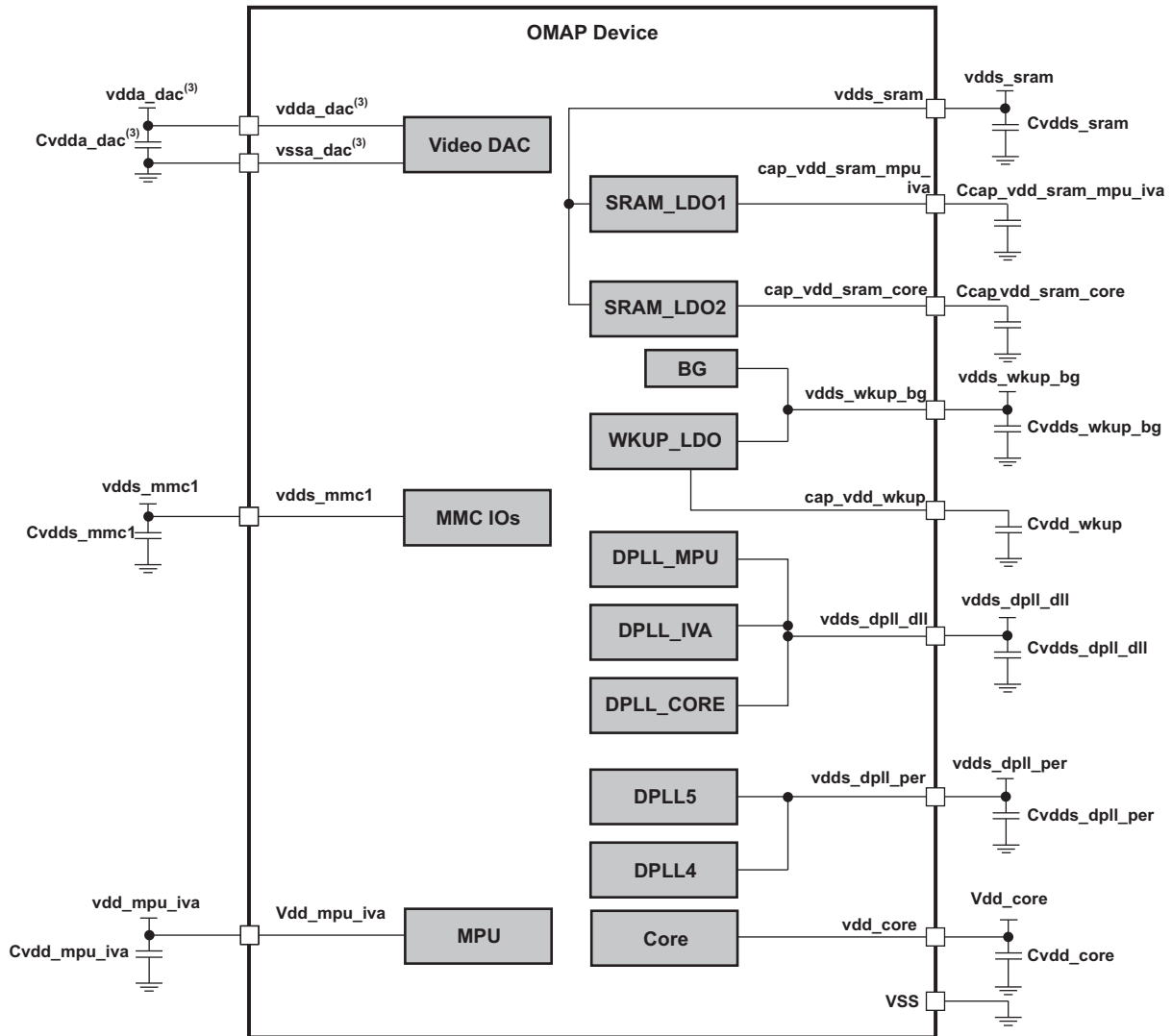
Table 3-5 summarizes the power supplies decoupling characteristics.

**Table 3-5. Core Voltage Decoupling Characteristics**

PARAMETER	MIN	TYP	MAX	UNIT
Cvdd_mpu_iva <sup>(1)</sup>	50	100	120	nF
Cvdd_core <sup>(1)</sup>	50	100	120	nF
Cvdds_sram		100		nF
Ccap_vdd_sram_mpu_iva	0.7	1.0	1.3	μF
Ccap_vdd_sram_core	0.7	1.0	1.3	μF
Ccap_vdd_wkup	0.7	1.0	1.3	μF
Cvdds_wkup_bg		100		nF
Cvdds_dpil_dll		100		nF
Cvdds_dpil_per		100		nF
Cvdda_dac		100		nF
Cvdds_mmc1		100		nF
Cvdds_mmca		100		nF

(1) 1 capacitor per 2 to 4 balls

Figure 3-2 illustrates an example of power supply decoupling.



030-004

- (1) Decoupling capacitors must be placed as close as possible to the power ball. Choose the ground located closest to the power pin for each decoupling capacitor. Place the decoupling capacitor  $C_i$  in a group of 1, 2, or 3 balls; the total must be equal to the decoupling requirement. In case you interconnect powers, first insert the decoupling capacitor and then interconnect the powers.
- (2) The decoupling capacitor value depends on the board characteristics.

**Figure 3-2. Power Supply Decoupling**

PRODUCT PREVIEW

### 3.6 Power-up and Power-down

This section provides the timing requirements for the OMAP3530/25 hardware signals.

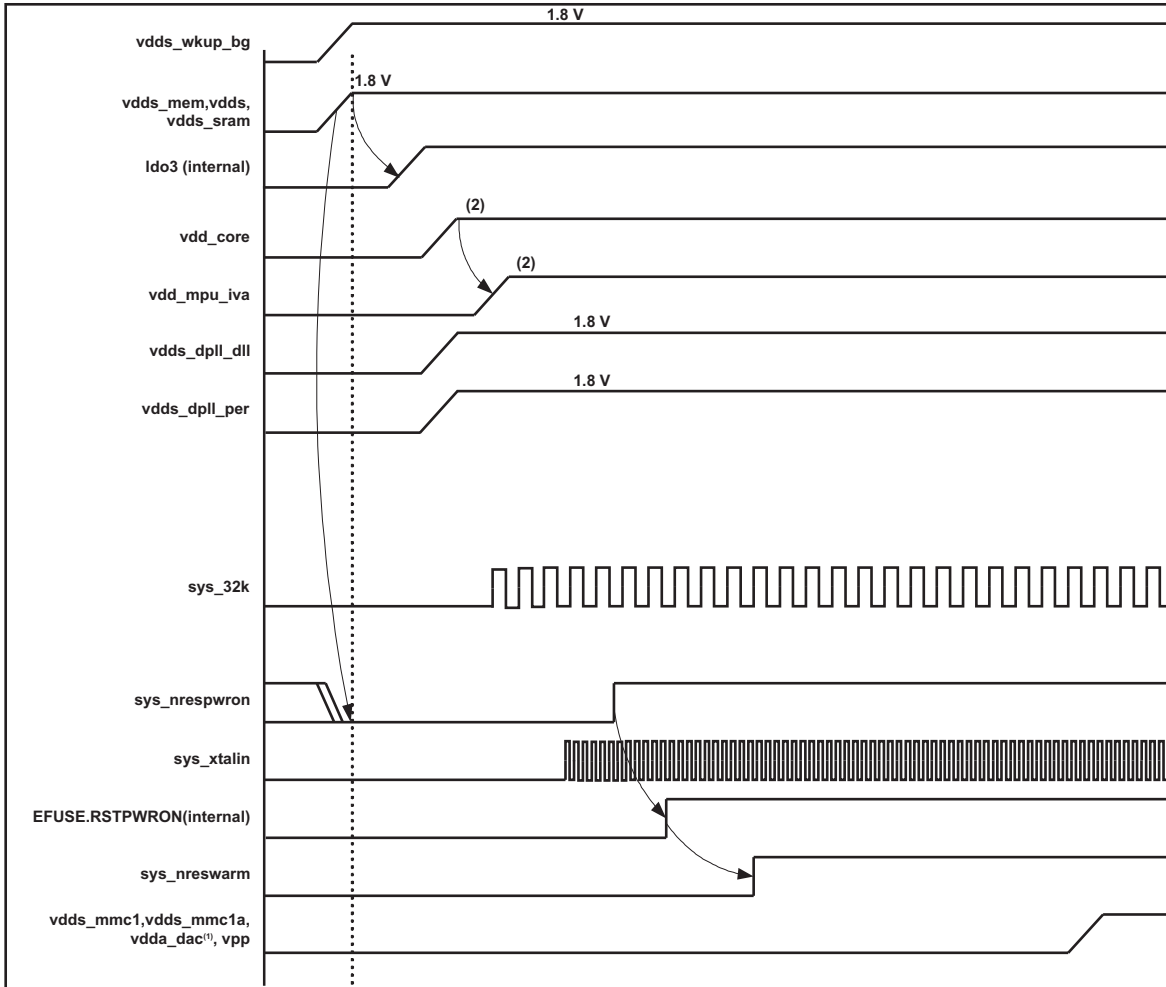
#### 3.6.1 Power-up Sequence

The following steps give an example of power-up sequence supported by the OMAP3530/25 device.

1. vdds and vdds\_mem are ramped ensuring a level on the IO domain and sys\_nrespwron must be low. At the same time, vdds\_sram and vdds\_wkup\_bg can also be ramped.
2. Once vdds\_wkup\_bg rail is stabilized, vdd\_core can be ramped.
3. Once vdd\_core is stabilized, then vdd\_mpu\_iva can be ramped.
4. vdds\_dpll\_dll and vdds\_dpll\_per rails can be ramped at any time during the above sequence.
5. sys\_nrespwron can be released as soon as the vdds\_pll\_dll rail is stabilized, and sys\_xtalin and sys\_32k clocks are stabilized.
6. During the whole sequence above, sys\_nreswarm is held low by OMAP3530/25. sys\_nreswarm is released after the eFuse check has been performed; that is, after sys\_nrespwron is released.
7. The other power supplies can then be turned on upon software request.

[Figure 3-3](#) shows the power-up sequence.

**Note:** If an external square clock is provided, it could be started after sys\_nrespwron release provided it is clean: no glitch, stable frequency, and duty cycle.

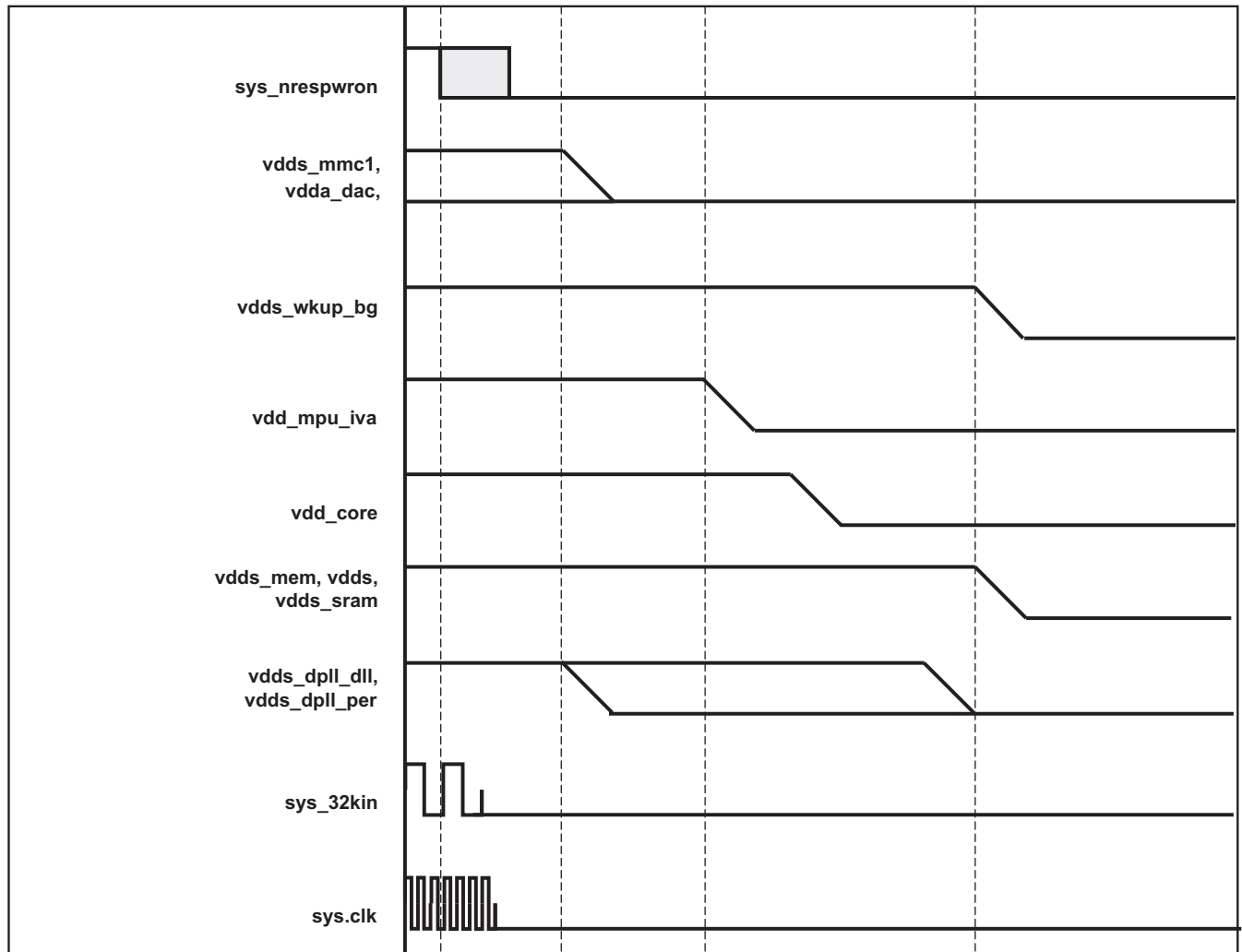


030-005

Figure 3-3. Power-up Sequence

### 3.6.2 Power-down Sequence

The OMAP3530/25 device proceeds with the power-down sequence shown in Figure 3-4.



PRODUCT PREVIEW

030-006

Figure 3-4. Power-down Sequence

## 4 CLOCK SPECIFICATIONS

The OMAP3530/25 device has three external input clocks, a low frequency (sys\_32k), a high frequency (sys\_xtalin), and an optional (sys\_altclk). The OMAP3530/25 device has two configurable output clocks, sys\_clkout1 and sys\_clkout2.

Figure 4-1 shows the interface to the external clock sources and clock outputs.

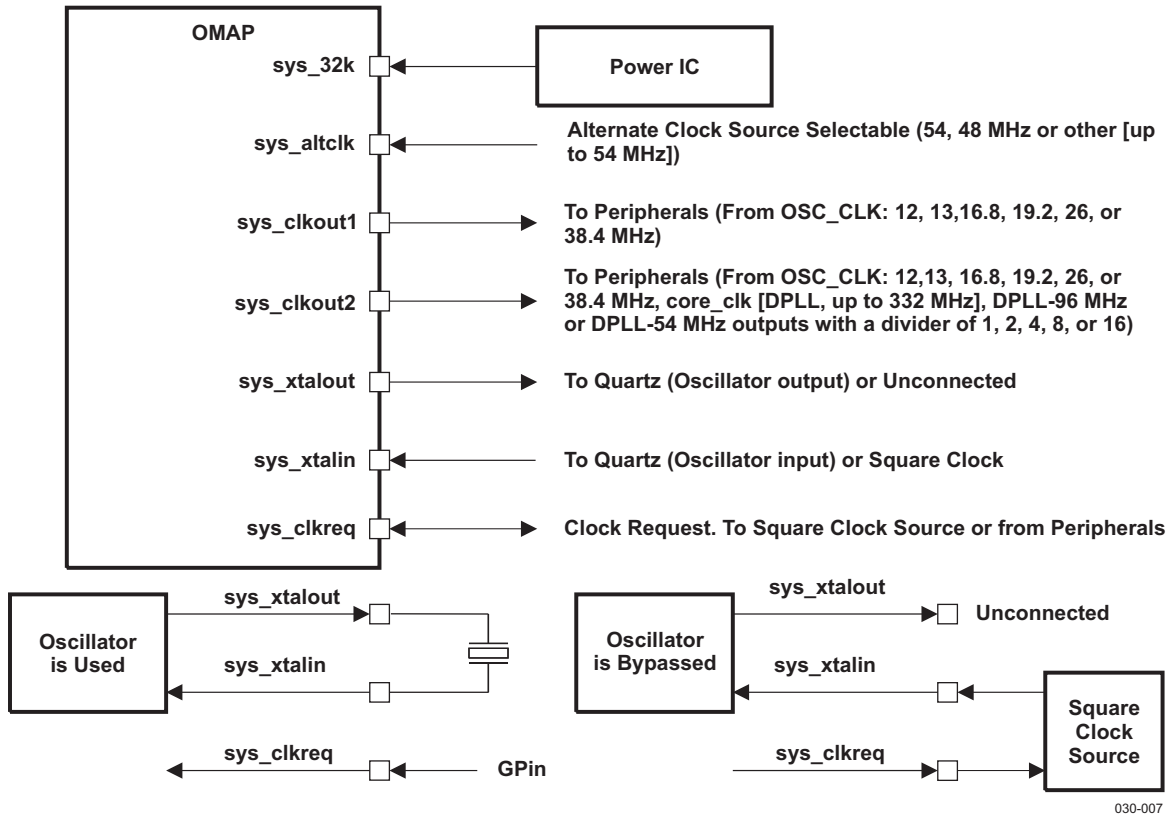


Figure 4-1. Clock Interface

The OMAP3530/25 device operation requires the following three input clocks:

- The 32-kHz frequency is used for low frequency operation. It supplies the wake-up domain for operation in lowest power mode (off mode). This clock is provided through the sys\_32k pin.
- The system alternative clock can be used (through the sys\_altclk pin) to provide alternative 48 or 54 MHz or other clock source (up to 54 MHz).
- The system clock input (12, 13, 16.8, 19.2, 26, or 38.4 MHz) is used to generate the main source clock of the OMAP3530/25 device. It supplies the DPLLs as well as several OMAP modules. The system clock input can be connected to either:
  - A crystal oscillator clock managed by sys\_xtalin and sys\_xtalout. In this case, the sys\_clkreq is used as an input (GPIN).
  - A CMOS digital clock through the sys\_xtalin pin. In this case, the sys\_clkreq is used as an output to request the external system clock.

The OMAP3530/25 outputs externally two clocks:

- sys\_clkout1 can output the oscillator clock (12, 13, 16.8, 19.2, 26, or 38.4 MHz) at any time. It can be controlled by software or externally using sys\_clkreq control. When the device is in the off state, the sys\_clkreq can be asserted to enable the oscillator and activate the sys\_clkout1 without waking up the device. The off state polarity of sys\_clkout1 is programmable.

- sys\_clkout2 can output the oscillator clock (12, 13, 16.8, 19.2, 26, or 38.4 MHz), core\_clk (core DPLL output), 96 MHz or 54 MHz. It can be divided by 2, 4, 8, or 16 and its off state polarity is programmable. This output is active only when the core power domain is active.

For more information on the OMAP3530/25 Applications Processor clocking structure, see the Power, Reset, and Clock management (PRCM) chapter of the *OMAP35x Applications Processor TRM* (literature number [SPRUFA5](#)).

#### 4.1 Input Clock Specifications

The clock system accepts three input clock sources:

- 32-kHz digital CMOS clock
- Crystal oscillator clock or CMOS digital clock (12, 13, 16.8, 19.2, 26, or 38.4 MHz)
- Alternate clock (48 or 54 MHz, or other up to 54 MHz)

##### 4.1.1 Clock Source Requirements

Table 4-1 illustrates the requirements to supply a clock to the OMAP3530/25 device.

Table 4-1. Clock Source Requirements

PAD	CLOCK FREQUENCY		STABILITY	DUTY CYCLE	JITTER	TRANSITION
sys_32k	32.768 kHz		± 200 ppm			< 20 ns
sys_xtalout	12, 13, 16.8, or 19.2 MHz	Crystal	± 25 ppm	na	na	na
sys_xtalin	12, 13, 16.8, 19.2, 26, or 38.4 MHz	Square	± 50 ppm	45% to 55%	< 1%	< 2.5 ns
sys_altclk	48 or 54 MHz		± 50 ppm	40% to 60%	< 1%	< 5 ns

##### 4.1.2 External Crystal Description

To supply a 12-, 13-, 16.8-, or 19.2-MHz clock to the OMAP3530/25, an external crystal can be connected to the sys\_xtalin and sys\_xtalout pins. Figure 4-2 describes the crystal implementation.

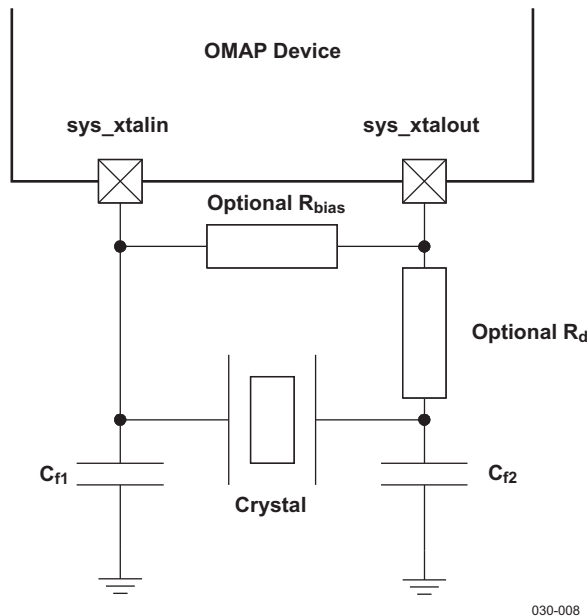


Figure 4-2. Crystal Implementation<sup>(1)(2)(3)(4)</sup>

- (1) On the PCB, the oscillator components (crystal, foot capacitors, optional  $R_{bias}$  and  $R_d$ ) must be located close to the package. All these components must be routed first with the lowest possible number of board vias.
- (2) An optional resistor  $R_d$  can be added in series with the crystal to debug or filter the harmonics; a footprint must be reserved on the PCB for use with 10-MHz crystals and feature low-drive levels.

- (3) A 120-kΩ internal bias resistor  $R_{bias}$  is used. The feedback resistor  $R_{bias}$  provides negative feedback to the oscillator to put it in the linear operating region; thus oscillation begins when power is applied.
- (4)  $C_{f1}$  and  $C_{f2}$  represent the total capacitance of the PCB and components excluding the power IC and crystal. Their values in fact depend on the crystal datasheet. In the datasheet of the crystal, the frequency is specified at a specific load capacitor value which is the equivalent capacitor of the two capacitors  $C_{f1}$  and  $C_{f2}$  connected to sys\_xtalin and sys\_xtalout. The frequency of the oscillations depends on the value of the capacitors (10 pF corresponds to a load capacitor of 5 pF for the crystal).

The crystal must be in the fundamental mode of operation and parallel resonant. [Table 4-2](#) summarizes the required electrical constraints.

**Table 4-2. Crystal Electrical Characteristics**

NAME	DESCRIPTION	MIN	TYP	MAX	UNIT
$f_p$	Parallel resonance crystal frequency <sup>(1)</sup>	12, 13, 16.8, or 19.2			MHz
$C_L$	Load capacitance for crystal parallel resonance	5		20	pF
ESR12&13	Crystal ESR (12 and 13 MHz) <sup>(1)</sup>			80	Ω
ESR16.8&19.2	Crystal ESR (16.8 and 19.2 MHz) <sup>(1)</sup>			50	Ω
$C_o$	Crystal shunt capacitance	1		7	pF
$L_m$	Crystal motional inductance for $f_p = 12$ MHz			35	mH
$C_m$	Crystal motional capacitance	5		100	fF
DL	Crystal drive level			0.5	mW
$R_{bias}$	Internal bias resistor	30	120	300	kΩ
$R_{pdXI}$	Pulldown resistor on sys_xtalin when oscillator is disabled			5	kΩ

- (1) Measured with the load capacitance specified by the crystal manufacturer. This load is defined by the foot capacitances tied in series. If  $C_L = 20$  pF, then both foot capacitors will be  $C_{f1} = C_{f2} = 40$  pF. Parasitic capacitance from package and board must also be taken in account.

$$ESR = R_m \left( 1 + \frac{C_o}{C_L} \right)^2$$

When selecting a crystal, the system design must take into account the temperature and aging characteristics of a crystal versus the user environment and expected lifetime of the system. [Table 4-3](#) details the switching characteristics of the oscillator and the input requirements of the 12-, 13-, 16.8-, or 19.2-MHz input clock.

**Table 4-3. Base Oscillator Switching Characteristics**

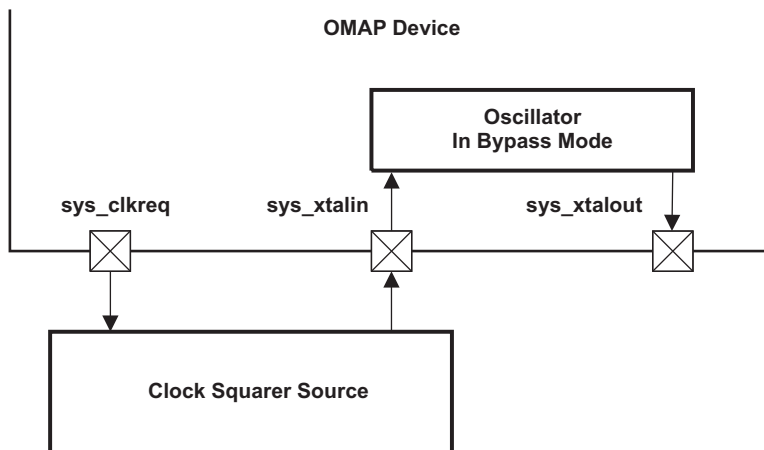
NAME	DESCRIPTION	MIN	TYP	MAX	UNIT
$f_p$	Oscillation frequency	12, 13, 16.8, or 19.2			MHz
$t_{sX}$	Start-up time <sup>(1)(2)</sup>	8			ms

- (1) Start-up time defined as time interval between oscillator control signal release and sys\_xtalin amplitude at 50% of its final value (vdd and vdds supplies ramped and stable). The start-up time can be performed in function of the crystal characteristics. 8-ms minimum only when using the internal oscillator; it is programmable after reset for wake-up. At power-on reset, the time is adjustable using the pin itself. The reset must be released when the oscillator or clock source is stable. Before the processor boots up and the oscillator is set to bypass mode, there is a start-up time when the internal oscillator is in application mode and receives a square wave. The start-up time in this case is about 100 μs.
- (2) For  $f_p = 12$  or 13 MHz:  $C_L = 13.5$  pF and  $L_m = 35$  mH  
For  $f_p = 16.8$  or 19.2 MHz:  $C_L = 9$  pF and  $L_m = 15$  mH

### 4.1.3 Clock Squarer Input Description

A 1.8-V CMOS clock squarer is another source that can supply a 12-, 13-, 16.8-, 19.2-, 26-, or 38.4-MHz clock to the OMAP3530/25. An analog clock squarer function converts a low-amplitude sinusoidal clock into a low-jitter digital signal. It can be connected to input pin sys\_xtalin (sys\_xtalout unconnected). [Figure 4-3](#) illustrates the effective connections.





030-010

Figure 4-3. Clock Squarer Source Connection

To connect a digital clock source, the oscillator is configured in bypass mode<sup>(1)</sup>. The sys\_clkreq<sup>(2)</sup> pin is an OMAP3530/25 output which can be used to switch the clock source on or off.

1. Pin sys\_xtalout is not used in this mode. It must be left unconnected.
2. Once the system is powered up, the clock squarer source or crystal oscillator source can be applied; however, this affects the performance. The input source must be configured after power up to attain the desired system requirements.

Table 4-4 summarizes the electrical constraints required by the clock squarer used in the fundamental mode of operation.

Table 4-4. Base Oscillator Electrical Characteristics (in Bypass Mode)

NAME	DESCRIPTION	MIN	TYP	MAX	UNIT
f	Frequency <sup>(1)</sup>	12, 13, 16.8, 19.2, 26, or 38.4			MHz
t <sub>sX</sub>	Start-up time				<sup>(2)</sup> ms
R <sub>pdXl</sub>	Pulldown resistor on sys_xtalin when oscillator is disabled			5	kΩ
I <sub>DDQ</sub>	Current consumption on VDDSD when sys_xtalin = 0 and in power-down mode			1	μA

- (1) Measured with the load capacitance specified by the manufacturer. Parasitic capacitance from package and board must also be taken in account.
- (2) Before the processor boots up and the oscillator is set to bypass mode, there is a start-up time when the internal oscillator is in application mode and receives a square wave. The start-up time in this case is about 100 μs.

Table 4-5 details the input requirements of the 12-, 13-, 16.8-, 19.2-, 26-, or 38.4-MHz input clock.

Table 4-5. 12-, 13-, 16.8-, 19.2-, 26-, or 38.4-MHz Input Clock Squarer Timing Requirements

NAME	DESCRIPTION		MIN	TYP	MAX	UNIT
OCS0	1 / t <sub>c(xtalin)</sub>	Frequency, sys_xtalin	12, 13, 16.8, 19.2, 26, or 38.4			MHz
OCS1	t <sub>w(xtalin)</sub>	Pulse duration, sys_xtalin low or high	0.45 * t <sub>c(xtalin)</sub>		0.55 * t <sub>c(xtalin)</sub>	ns
OCS2	t <sub>J(xtalin)</sub>	Peak-to-peak jitter <sup>(1)</sup> , sys_xtalin	-1%		1%	
OCS3	t <sub>R(xtalin)</sub>	Rise time, sys_xtalin			2.5	ns
OCS4	t <sub>F(xtalin)</sub>	Fall time, sys_xtalin			2.5	ns
OCS5	t <sub>J(xtalin)</sub>	Frequency stability, sys_xtalin			±25	ppm

- (1) Peak-to-peak jitter is defined as the difference between the maximum and the minimum output periods on a statistical population of 300 period samples. The sinusoidal noise is added on top of the vdds supply voltage.

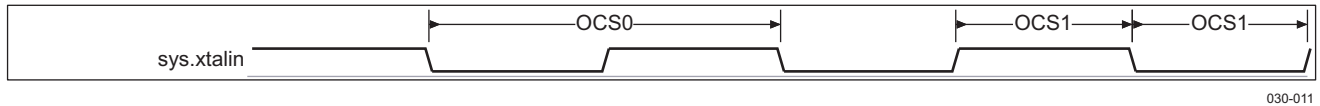


Figure 4-4. Crystal Oscillator in Bypass Mode

030-011

#### 4.1.4 External 32-kHz CMOS Input Clock

A 32.768-kHz clock signal (often abbreviated to 32-kHz) can be supplied by an external 1.8-V CMOS signal on pin sys\_32k.

Table 4-6 summarizes the electrical constraints imposed to the clock source.

Table 4-6. 32-kHz Input Clock Source Electrical Characteristics

NAME	DESCRIPTION	MIN	TYP	MAX	UNIT
f	Frequency	32.768			kHz
C <sub>i</sub>	Input capacitance		0.44		pF
R <sub>i</sub>	Input resistance	0.25		10 <sup>6</sup>	GΩ

Table 4-7 details the input requirements of the 32-kHz input clock.

Table 4-7. 32-kHz Input Clock Source Timing Requirements<sup>(1)</sup>

NAME	DESCRIPTION		MIN	TYP	MAX	UNIT
CK0	1 / t <sub>c(32k)</sub>	Frequency, sys_32k		32.768		kHz
CK3	t <sub>R(32k)</sub>	Rise time, sys_32k			20	ns
CK4	t <sub>F(32k)</sub>	Fall time, sys_32k			20	ns
CK5	t <sub>J(32k)</sub>	Frequency stability, sys_32k			±200	ppm

(1) See Table 3-4, Electrical Characteristics, Standard LVC MOS IOs part for sys\_32k V<sub>IH</sub>/V<sub>IL</sub> parameters.

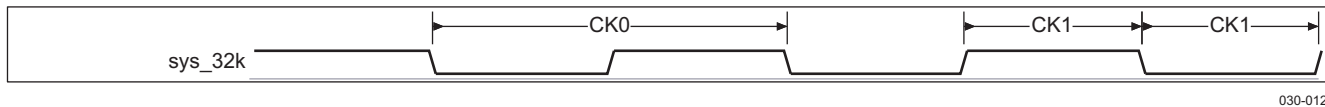


Figure 4-5. 32-kHz CMOS Clock

030-012

#### 4.1.5 External sys\_altclk CMOS Input Clock

A 48- or 54-MHz clock signal can be supplied by an external 1.8-V CMOS signal on pin sys\_altclk.

Table 4-8 summarizes the electrical constraints imposed by the clock source.

Table 4-8. 48- or 54-MHz Input Clock Source Electrical Characteristics

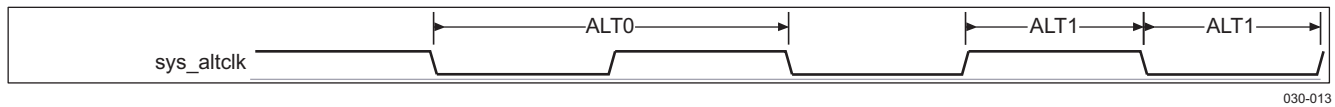
NAME	DESCRIPTION	MIN	TYP	MAX	UNIT
f	Frequency, sys_altclk		48 or 54		MHz
C <sub>i</sub>	Input capacitance		0.74		pF
R <sub>i</sub>	Input resistance	0.25		10 <sup>6</sup>	GΩ

Table 4-9 details the input requirements of the 48- or 54-MHz input clock.

**Table 4-9. 48- or 54-MHz Input Clock Source Timing Requirements<sup>(1)(2)</sup>**

NAME		DESCRIPTION	MIN	TYP	MAX	UNIT
ALT0	$1 / t_{c(altclk)}$	Frequency, sys_altclk	48 or 54			MHz
ALT1	$t_{w(altclk)}$	Pulse duration, sys_altclk low or high	$0.40 * t_{c(altclk)}$		$0.60 * t_{c(altclk)}$	ns
ALT2	$t_{j(altclk)}$	Peak-to-peak jitter <sup>(1)</sup> , sys_altclk	-1%		1%	
ALT3	$t_{R(altclk)}$	Rise time, sys_altclk			5	ns
ALT4	$t_{F(altclk)}$	Fall time, sys_altclk			5	ns
ALT5	$t_{J(altclk)}$	Frequency stability, sys_altclk			$\pm 50$	ppm

- (1) Peak-to-peak jitter is defined as the difference between the maximum and the minimum output periods on a statistical population of 300 period samples. The sinusoidal noise is added on top of the vdds supply voltage.
- (2) See [Table 3-4, Electrical Characteristics](#), for sys\_altclk  $V_{IH}/V_{IL}$  parameters.



**Figure 4-6. Alternate CMOS Clock**

030-013

## 4.2 Output Clock Specifications

Two output clocks (pin sys\_clkout1 and pin sys\_clkout2) are available:

- sys\_clkout1 can output the oscillator clock (12, 13, 16.8, 19.2, 26, or 38.4 MHz) at any time. It can be controlled by software or externally using sys\_clkreq control. When the device is in the off state, the sys\_clkreq can be asserted to enable the oscillator and activate the sys\_clkout1 without waking up the device. The off state polarity of sys\_clkout1 is programmable.
- sys\_clkout2 can output sys\_clk (12, 13, 16.8, 19.2, 26, or 38.4 MHz), CORE\_CLK (core DPLL output, 332 MHz maximum), APLL-96 MHz, or APLL-54 MHz. It can be divided by 2, 4, 8, or 16 and its off state polarity is programmable. This output is active only when the core domain is active.

Table 4-10 summarizes the sys\_clkout1 output clock electrical characteristics.

**Table 4-10. sys\_clkout1 Output Clock Electrical Characteristics**

NAME	DESCRIPTION		MIN	TYP	MAX	UNIT
f	Frequency		12, 13, 16.8, 19.2, 26, or 38.4			MHz
C <sub>L</sub>	Load capacitance <sup>(1)</sup>	f(max) = 38.4 MHz		37		pF
		f(max) = 26 MHz		50		

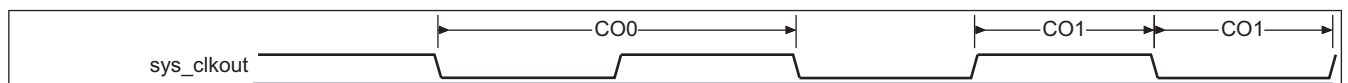
(1) The load capacitance is adapted to a frequency.

Table 4-11 details the sys\_clkout1 output clock timing characteristics.

**Table 4-11. sys\_clkout1 Output Clock Switching Characteristics**

NAME	DESCRIPTION		MIN	TYP	MAX	UNIT
f	1 / CO0	Frequency	12, 13, 16.8, 19.2, 26, or 38.4			MHz
CO1	t <sub>w</sub> (CLKOUT1)	Pulse duration, sys_clkout1 low or high	0.40 * t <sub>c</sub> (CLKOUT1)		0.60 * t <sub>c</sub> (CLKOUT1)	ns
CO2	t <sub>R</sub> (CLKOUT1)	Rise time, sys_clkout1 <sup>(1)</sup>			5.5	ns
CO3	t <sub>F</sub> (CLKOUT1)	Fall time, sys_clkout1 <sup>(1)</sup>			5.5	ns

(1) With a load capacitance of 25 pF.



030-014

**Figure 4-7. sys\_clkout1 System Output Clock**

Table 4-12 summarizes the sys\_clkout2 output clock electrical characteristics.

**Table 4-12. sys\_clkout2 Output Clock Electrical Characteristics**

NAME	DESCRIPTION		MIN	TYP	MAX	UNIT
f	Frequency, sys_clkout2				322	MHz
C <sub>L</sub>	Load capacitance <sup>(1)</sup>	f(max) = 166 MHz	2	8	12	pF

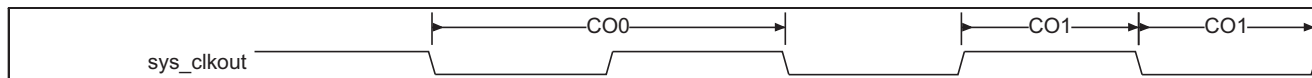
(1) The load capacitance is adapted to a frequency.

Table 4-13 details the sys\_clkout2 output clock timing characteristics.

**Table 4-13. sys\_clkout2 Output Clock Switching Characteristics**

NAME	DESCRIPTION		MIN	TYP	MAX	UNIT
f	1 / CO0	Frequency			322	MHz
CO1	$t_{w(\text{CLKOUT2})}$	Pulse duration, sys_clkout2 low or high	$0.40 * t_{c(\text{CLKOUT2})}$		$0.60 * t_{c(\text{CLKOUT2})}$	ns
CO2	$t_{R(\text{CLKOUT2})}$	Rise time, sys_clkout2 <sup>(1)</sup>			3.7	ns
CO3	$t_{F(\text{CLKOUT2})}$	Fall time, sys_clkout2 <sup>(1)</sup>			4.3	ns

(1) With a load capacitance of 12 pF.



030-015

**Figure 4-8. sys\_clkout2 System Output Clock**

**PRODUCT PREVIEW**

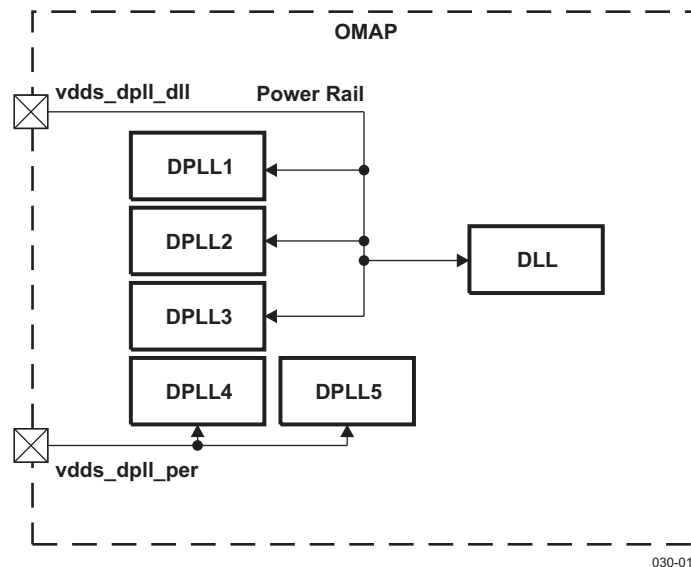
### 4.3 DPLL and DLL Specifications

The OMAP3530/25 integrates six DPLLs and a DLL. The PRM and CM drive five of them, while the sixth (not supported) is controlled by the display controller.

The five main DPLLs are:

- DPLL1 (MPU)
- DPLL2 (IVA2)
- DPLL3 (Core)
- DPLL4 (Peripherals)
- DPLL5 (Second Peripherals DPLL)

Figure 4-9 illustrates the DLL and DPLL implementation.



(1) Figure 4-9. DPLL and DLL Implementation

For more information on the OMAP3530/25 Applications Processor DPLLs and clocking structure, see the Power, Reset, and Clock management (PRCM) chapter of the *OMAP35x Applications Processor TRM* (literature number [SPRUFA5](#)).

#### 4.3.1 Digital Phase-Locked Loop (DPLL)

The DPLL provides all interface clocks and some functional clocks (such as the processor clocks) of the OMAP3530/25 device.

DPLL1 and DPLL2 get an always-on clock used to produce the synthesized clock. They get a high-speed bypass clock used to switch the DPLL output clock on this high-speed clock during bypass mode.

The high-speed bypass clock is an L3 divided clock (programmable by 1 or 2) that saves DPLL processor power consumption when the processor does not need to run faster than the L3 clock speed, or optimizes performance during frequency scaling.

Each DPLL synthesized frequency is set by programming M (multiplier) and N (divider) factors. In addition, all DPLL outputs can be controlled by an independent divider (M2 to M6).

The clock generating DPLLs of the OMAP3530/25 device have following features:

- Independent power domain per DPLL
- Controlled by clock-manager (CM)
- Fed with always-on system clock with independent gating control per DPLL

- Analog part supplied through dedicated power supply (1.8 V) and an embedded LDO to get rid of 1-MHz noise
- Up to five independent output dividers for simultaneous generation of multiple clock frequencies

#### 4.3.1.1 DPLL1 (MPU)

DPLL1 is located in the MPU subsystem and supplies all clocks of the subsystem. All MPU subsystem clocks are internally generated in the subsystem. When the core domain is on, it can use the DPLL3 (CORE DPLL) output as a high-frequency bypass input clock.

#### 4.3.1.2 DPLL2 (IVA2)

DPLL2 is located in the IVA subsystem and supplies all clocks of the subsystem. All IVA subsystem clocks are internally generated in the subsystem. When the core domain is on, it can use the DPLL3 (CORE DPLL) output as a high-frequency bypass input clock.

#### 4.3.1.3 DPLL3 (CORE)

DPLL3 supplies all interface clocks and also a few module functional clocks. It can be also source of the emulation trace clock. It is located in the core domain area. All interface clocks and a few module functional clocks are generated in the CM. When the core domain is on, it can be used as a bypass input to DPLL1 and DPLL2.

#### 4.3.1.4 DPLL4 (Peripherals)

DPLL4 generates clocks for the peripherals. It supplies five clock sources: 96-MHz functional clocks to subsystems and peripherals, 54 MHz to TV DAC, display functional clock, camera sensor clock, and emulation trace clock. It is located in the core domain area. All interface clocks and few module functional clocks are generated in the CM. Its outputs to the DSS, PER, and EMU domains are propagated with always-on clock trees.

#### 4.3.1.5 DPLL5 (Second peripherals DPLL)

DPLL5 supplies the 120-MHz functional clock to the CM.

### 4.3.2 Delay-Locked Loops (DLL)

The SDRC includes analog-controlled delay technology for interfacing high-speed mobile DDR memory components. For more information, see the SDRC-GPMC chapter of the *OMAP35x Technical Reference Manual (TRM)* [literature number [SPRUF98](#)]. A DLL is a calibration module used on dynamic track of voltage and temperature variations, as well as to compensate the silicon process dispersion.

The SDRC DLL has four modes of operation:

1. APPLICATION MODE 0: used to generate 72° delay
2. APPLICATION MODE 1: used to generate 90° delay
3. MODEMAXDELAY: used for low frequency operation where we do not have the requirement of accurate 72° or 90° phase shift
4. IDLE MODE: a low-power state that allows the DLL to gain lock quickly on exit from this mode

### 4.3.3 DPLLs and DLL Characteristics

Several specifications characterize the six DPLLs.

Table 4-14 summarizes the DPLL characteristics and assumes testing over recommended operating conditions.

Table 4-14. DPLL Characteristics

NAME	PARAMETER	MIN	TYP	MAX	UNIT	COMMENTS <sup>(1)</sup>
vdds_dp1l_per		1.71	1.8	1.89	V	At module pins (+5%, –10%)
vdds_dp1l_dll		1.71	1.8	1.89	V	
T <sub>J</sub>	Junction temperature	–40	25	107	°C	Will not unlock after lock over this range for slow temperature drifts
f <sub>input</sub>	Input reference frequency <sup>(2)</sup>	0.75		65	MHz	FINP
f <sub>internal</sub>	Internal reference frequency	0.75		2.1	MHz	FREQSEL3 = 0; FINT = FINP/(N+1)
		7.5		21	MHz	FREQSEL3 = 1; FINT = FINP/(N+1)
f <sub>output</sub>	CLKOUT output frequency	25		900	MHz	
f <sub>output*2</sub>	CLKOUTx2 output frequency	50		1800	MHz	
t <sub>lock</sub>	Frequency lock time <sup>(3)</sup>	71.4		200	μs	150 FINT cycles; FREQSEL3 = 0
		37.1		104	μs	780 FINT cycles; FREQSEL3 = 1
p <sub>lock</sub>	Phase lock time	166.7		466.7	μs	350 FINT cycles; FREQSEL3 = 0
		46.7		130.7	μs	980 FINT cycles; FREQSEL3 = 1
t <sub>relock</sub>	Relock time – frequency lock <sup>(4)</sup>	4.8		13.3	μs	10 FINT cycles Lowcurrstby = 0; FREQSEL3 = 0
		4.8		13.3	μs	100 FINT cycles Lowcurrstby = 0; FREQSEL3 = 1
		19		53.3	μs	40 FINT cycles Lowcurrstby = 1; FREQSEL3 = 0
		19		53.3	μs	400 FINT cycles Lowcurrstby = 1; FREQSEL3 = 1
		71.4		200	μs	150 FINT cycles Lowcurrstby = 0; FREQSEL3 = 0
		11.9		33.3	μs	250 FINT cycles Lowcurrstby = 0; FREQSEL3 = 1
p <sub>relock</sub>	Relock time – Phase lock <sup>(4)</sup>	95.2		266.7	μs	200 FINT cycles Lowcurrstby = 1; FREQSEL3 = 0
		26.7		74.7	μs	560 FINT cycles Lowcurrstby = 1; FREQSEL3 = 1

Table 4-15 and Table 4-16 show the DPLL1 and DPLL2 clock frequency ranges.

**Note:** The DPLL1 and DPLL2 clock frequency ranges depend on the V<sub>DD1</sub> (vdd\_mpu\_iva) operating point.

- (1) f<sub>reqsel</sub> needs to be programmed accordingly to reference clock and DPLL divider (register setting), Lowcurrstby depends on the targeted DPLL power state (dynamic).  
Lowcurrstby = 0 then DPLL is in normal mode  
Lowcurrstby = 1 then DPLL is in low-power mode
- (2) Input frequencies below 0.75 MHz are possible with performance penalty.
- (3) Maximum frequency for nominal conditions. Speed binning possible above f<sub>max</sub>.
- (4) Relock time assumes typical operating conditions, 4°C maximum temperature drift (see the Functional Specification for more detailed information).

PRODUCT PREVIEW



**Table 4-15. DPLL1 Clock Frequency Ranges**

Clock Signal	Description		Max	Unit
DPLL1_ALWON_FCLK	DPLL1 reference clock input, taken from PRM SYS_CLK.		TBD	MHz
DPLL1_FCLK	DPLL1 high-frequency bypass clock input, taken from CM CORE_CLK.		TBD	MHz
DPLL1: CLKOUTX2	DPLL1 internal clock signal, generated through DPLL1 Multiplier and Divider.	OPP5	600	MHz
		OPP4	550	MHz
		OPP3	500	MHz
		OPP2	500	MHz
		OPP1	500	MHz
MPU_CLK	DPLL1 output clock, generated from CLKOUT_M2X2.	OPP5	600	MHz
		OPP4	550	MHz
		OPP3	500	MHz
		OPP2	250	MHz
		OPP1	125	MHz

**Table 4-16. DPLL2 Clock Frequency Ranges**

Clock Signal	Description		Max	Unit
DPLL2_ALWON_FCLK	DPLL2 reference clock input, taken from PRM SYS_CLK.		TBD	MHz
DPLL2_FCLK	DPLL2 high-frequency bypass clock input, taken from CM CORE_CLK.		TBD	MHz
DPLL2: CLKOUTX2	DPLL2 internal clock signal, generated through DPLL2 Multiplier and Divider.	OPP5	860	MHz
		OPP4	800	MHz
		OPP3	720	MHz
		OPP2	720	MHz
		OPP1	720	MHz
DPLL2: CLKOUT	DPLL2 internal clock signal, generated by dividing DPLL2 CLKOUTX2 by 2.	OPP5	430	MHz
		OPP4	400	MHz
		OPP3	360	MHz
		OPP2	360	MHz
		OPP1	360	MHz
IVA2_CLK	DPLL2 output clock, generated from CLKOUT_M2.	OPP5	430	MHz
		OPP4	400	MHz
		OPP3	360	MHz
		OPP2	180	MHz
		OPP1	90	MHz

Table 4-17 through Table 4-19 show the DPLL3 clock frequency ranges.

**Note:** The DPLL3 clock frequency ranges depend on the VDD2 (vdd\_core) operating point and the L3 clock speed configuration.

**Table 4-17. DPLL3 Clock Frequency Ranges, VDD2 OPP3**

Clock Signal	Description	Config 1 (166 MHz)		Config 2 (133 MHz)		Config 3 (100 MHz)		Unit
		Min	Max	Min	Max	Min	Max	
DPLL3_ALWON_FCLK	DPLL3 input reference clock, generated by PRM.	TBD	TBD	TBD	TBD	TBD	TBD	MHz

**Table 4-17. DPLL3 Clock Frequency Ranges, VDD2 OPP3 (continued)**

Clock Signal	Description	Config 1 (166 MHz)		Config 2 (133 MHz)		Config 3 (100 MHz)		Unit
		Min	Max	Min	Max	Min	Max	
DPLL3: CLKOUTX2	DPLL3 internal clock signal, generated through DPLL3 Multiplier and Divider.	50	664	50	532	50	400	MHz
DPLL3: CLKOUT	DPLL3 internal clock signal, generated by dividing DPLL3 CLKOUTX2 by 2.	25	332	25	266	25	200	MHz
CM: CORE_CLK	Output of clock manager (CM), generated directly from DPLL3 CLKOUT_M2.	-	332	-	266	-	200	MHz
CM: L3_ICLK	Output of clock manager (CM), generated using DPLL3 CLKOUT_M2X2 and divider.	-	166	-	133	-	100	MHz
CM: L4_ICLK	Output of clock manager (CM), generated using CM L3_ICLK and divider.	-	83	-	66.5	-	50	MHz
SGX	SGX input clock, taken from CM CORE_CLK.	-	110.67	-	88.67	-	66.67	MHz
SDRC	SDRC input clock, taken from CM L3_ICLK.	-	166	-	133	-	100	MHz
GPMC	GPMC input clock, taken from CM L3_ICLK.	-	83	-	66.5	-	100	MHz

**Table 4-18. DPLL3 Clock Frequency Ranges, VDD2 OPP2**

Clock Signal	Description	Config 1 (83 MHz)		Config 2 (100 MHz)		Unit
		Min	Max	Min	Max	
DPLL3_ALWON_FCLK	DPLL3 input reference clock, generated by PRM.	TBD	TBD	TBD	TBD	MHz
DPLL3: CLKOUTX2	DPLL3 internal clock signal, generated through DPLL3 Multiplier and Divider.	50	664	50	400	MHz
DPLL3: CLKOUT	DPLL3 internal clock signal, generated by dividing DPLL3 CLKOUTX2 by 2.	25	332	25	200	MHz
CM: CORE_CLK	Output of clock manager (CM), generated directly from DPLL3 CLKOUT_M2.	-	166	-	200	MHz
CM: L3_ICLK	Output of clock manager (CM), generated using DPLL3 CLKOUT_M2X2 and divider.	-	83	-	100	MHz
CM: L4_ICLK	Output of clock manager (CM), generated using CM L3_ICLK and divider.	-	41.5	-	50	MHz
SGX	SGX input clock, taken from CM CORE_CLK.	-	55.53	-	66.67	MHz
SDRC	SDRC input clock, taken from CM L3_ICLK.	-	83	-	100	MHz
GPMC	GPMC input clock, taken from CM L3_ICLK.	-	83	-	50	MHz

**Table 4-19. DPLL3 Clock Frequency Ranges, VDD2 OPP1**

Clock Signal	Description	Config 1 (40 MHz)		Unit
		Min	Max	
DPLL3_ALWON_FCLK	DPLL3 input reference clock, generated by PRM.	TBD	TBD	MHz
DPLL3: CLKOUTX2	DPLL3 internal clock signal, generated through DPLL3 Multiplier and Divider.	50	664	MHz
DPLL3: CLKOUT	DPLL3 internal clock signal, generated by dividing DPLL3 CLKOUTX2 by 2.	25	332	MHz
CM: CORE_CLK	Output of clock manager (CM), generated directly from DPLL3 CLKOUT_M2.	-	83	MHz

**Table 4-19. DPLL3 Clock Frequency Ranges, VDD2 OPP1 (continued)**

Clock Signal	Description	Config 1 (40 MHz)		Unit
		Min	Max	
CM: L3_ICLK	Output of clock manager (CM), generated using DPLL3 CLKOUT_M2X2 and divider.	-	41.5	MHz
CM: L4_ICLK	Output of clock manager (CM), generated using CM L3_ICLK and divider.	-	20.75	MHz
SGX	SGX input clock, taken from CM CORE_CLK.	-	N/A	MHz
SDRC	SDRC input clock, taken from CM L3_ICLK.	-	41.5	MHz
GPMC	GPMC input clock, taken from CM L3_ICLK.	-	41.5	MHz

Table 4-20 summarizes the DLL characteristics.

**Table 4-20. DLL Characteristics**

PARAMETER	MIN	NOM	MAX	UNIT	COMMENTS
Supply voltage vdds_dpll_dll	1.71	1.8	1.89	V	
Junction operating temperature	-40	25	107	°C	
Input clock frequency	66	120	133	MHz	APPLICATION MODE 0
	83	120	166		APPLICATION MODE 1
Input load <sup>(1)</sup>			15	fF	
Lock time <sup>(2)</sup>			500	Clocks	
Relock time (Mode transitions through idle mode)			500	ns	IDLE to MODEMAXDELAY
		150	372	Clocks	IDLE to APPLICATION MODE 1 or 0
		1	2	μs	IDLE to APPLICATION MODE @133 MHz
		1	1.5	μs	IDLE to APPLICATION MODE @166 MHz

(1) This parameter is design goal and is not tested on silicon.

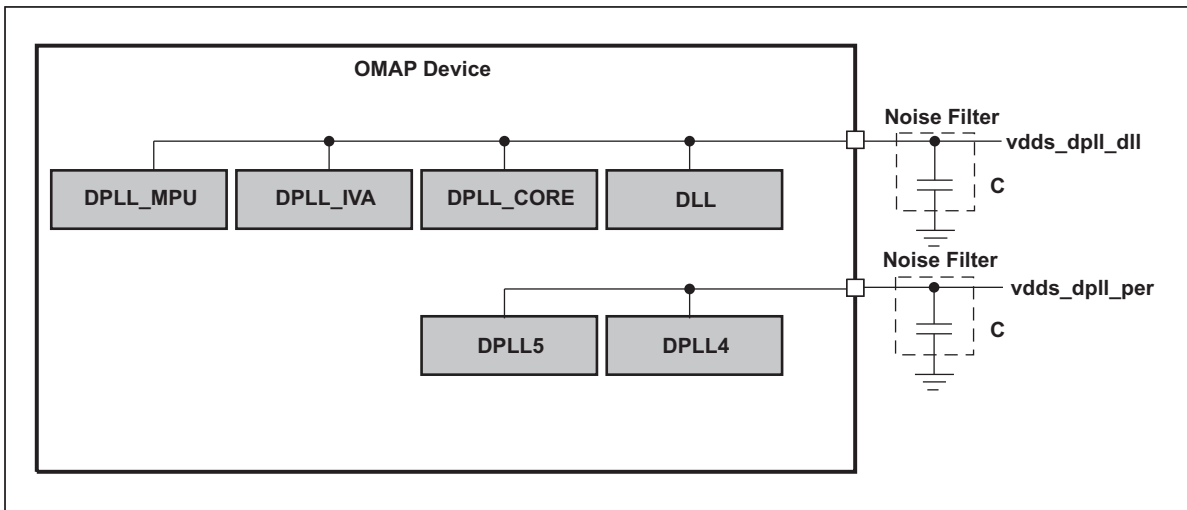
(2) Lock signal would go high from power down within 500 clocks. Lock signal switches to low state when the input clock is switched off after 3 μs.

4.3.4 DPLL and DLL Noise Isolation

The DPLL and DLL require dedicated power supply pins to isolate the core analog circuit from the switching noise generated by the core logic that can cause jitter on the clock output signal. Guard rings are added to the cell to isolate it from substrate noise injection.

The vdd supplies are the most sensitive to noise; decoupling capacitance is recommended below the supply rails. The maximum input noise level allowed is 30 mV<sub>PP</sub> for frequencies below 1 MHz.

Figure 4-10 illustrates an example of a noise filter.



030-017

Figure 4-10. DPLL and DLL Noise Filter

Table 4-21 specifies the noise filter requirements.

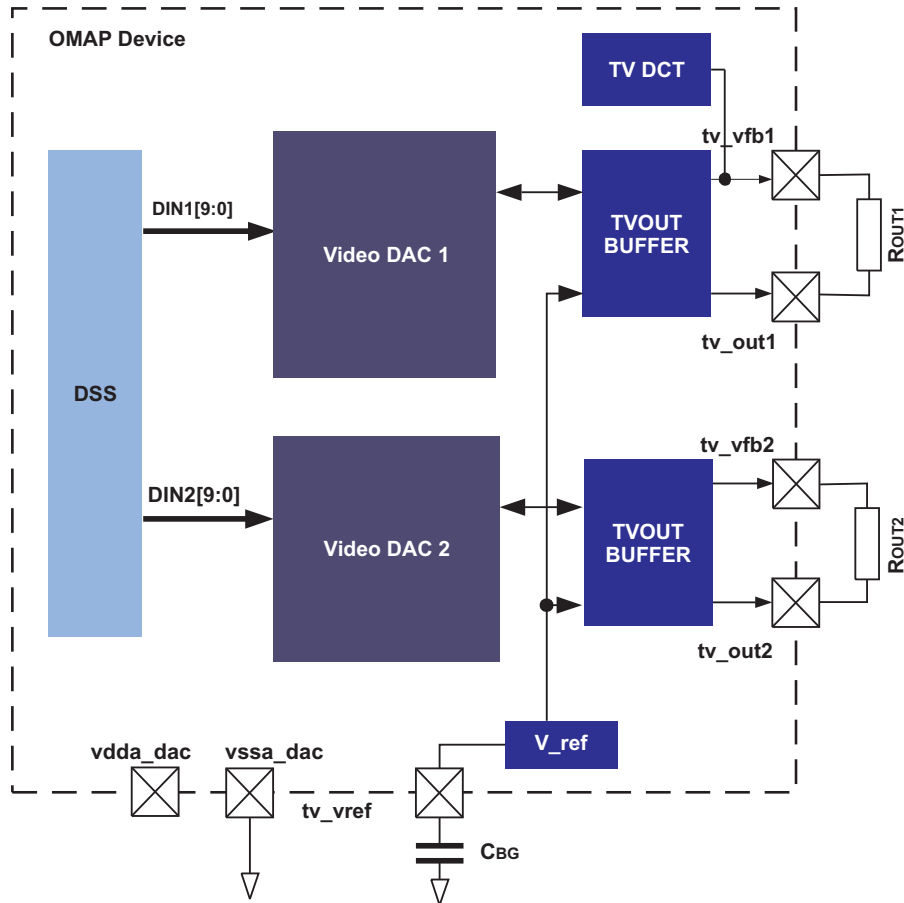
Table 4-21. DPLL and DLL Noise Filter Requirements

NAME	MIN	TYP	MAX	UNIT
Filtering capacitor		100		nF

- (1) The capacitors must be inserted between power and ground as close as possible.
- (2) This circuit is provided only as an example.
- (3) The filter must be located as close as possible to the device.
- (4) No filtering required if noise is below 10 mV<sub>PP</sub>.

## 5 VIDEO DAC SPECIFICATIONS

A dual-display interface equips the OMAP3530/25 processor. This display subsystem provides the necessary control signals to interface the memory frame buffer directly to the external displays (TV-set). Two (one per channel) 10-bit current steering DACs are inserted between the DSS and the TV set to generate the video analog signal. One of the video DACs also includes TV detection and power-down mode. Figure 5-1 illustrates the OMAP3530/25 DAC architecture. For more information, see the DSS chapter of the *OMAP35x Technical Reference Manual (TRM)* [literature number [SPRUF98](#)].



030-018

Figure 5-1. Video DAC Architecture

The following paragraphs detail the 10-bit DAC interface pinout, static and dynamic specifications, and noise requirements. The operating conditions and absolute maximum ratings are detailed in [Table 5-2](#) and [Table 5-4](#).

### 5.1 Interface Description

[Table 5-1](#) summarizes the external pins of the video DAC.

Table 5-1. External Pins of 10-bit Video DAC

PIN NAME	I/O	DESCRIPTION	
tv_out1	O	TV analog output composite	DAC1 video output. An external resistor is connected between this node and tv_vfb1. The nominal value of ROUT1 is 1650 Ω. Finally, note that this is the output node that drives the load (75 Ω).

**Table 5-1. External Pins of 10-bit Video DAC (continued)**

PIN NAME	I/O	DESCRIPTION	
tv_out2	O	TV analog output S-VIDEO	DAC2 video output. An external resistor is connected between this node and tv_vfb2. The nominal value of ROUT2 is 1650 $\Omega$ . Finally, note that this is the output node that drives the load (75 $\Omega$ ).
tv_vref	I	Reference output voltage from internal bandgap	A decoupling capacitor (CBG) needs to be connected for optimum performance.
tv_vfb1	O	Amplifier feedback node	Amplifier feedback node. An external resistor is connected between this node and tv_out1. The nominal value of ROUT1 is 1650 $\Omega$ (1%).
tv_vfb2	O	Amplifier feedback node	Amplifier feedback node. An external resistor is connected between this node and tv_out2. The nominal value of ROUT2 is 1650 $\Omega$ (1%).

PRODUCT PREVIEW

## 5.2 Electrical Specifications Over Recommended Operating Conditions

( $T_{MIN}$  to  $T_{MAX}$ ,  $v_{dda\_dac} = 1.8\text{ V}$ ,  $R_{OUT1/2} = 1650\ \Omega$ ,  $R_{LOAD} = 75\ \Omega$ , unless otherwise noted)

**Table 5-2. DAC – Static Electrical Specification**

PARAMETER		CONDITIONS/ASSUMPTIONS	MIN	TYP	MAX	UNIT
R	Resolution			10		Bits
<b>DC ACCURACY</b>						
INL <sup>(1)</sup>	Integral nonlinearity		-1		1	LSB
DNL <sup>(2)</sup>	Differential nonlinearity		-1		1	LSB
<b>ANALOG OUTPUT</b>						
-	Full-scale output voltage	$R_{LOAD} = 75\ \Omega$	0.7	0.88	1	V
-	Output offset voltage			50		mV
-	Output offset voltage drift			20		mV/°C
-	Gain error		-17		19	% FS
$R_{VOUT}$	Output impedance		67.5	75	82.5	$\Omega$
<b>REFERENCE</b>						
$V_{REF}$	Reference voltage range		0.525	0.55	0.575	V
-	Reference noise density	100-kHz reference noise bandwidth		129		
$R_{SET}$	Full-scale current adjust resistor		3700	4000	4200	$\Omega$
$P_{SRR}$	Reference PSRR <sup>(3)</sup> (Up to 6 MHz)			40		dB
<b>POWER CONSUMPTION</b>						
$I_{vdda-up}$	Analog Supply Current <sup>(4)</sup>	2 channels, no load		8		mA
-	Analog supply driving a 75- $\Omega$ load (RMS)	2 channels		50		mA
$I_{vdda-up}$ (peak)	Peak analog supply current:	Lasts less than 1 ns		60		mA
$I_{vdd-up}$	Digital supply current <sup>(5)</sup>	Measured at $f_{CLK} = 54\text{ MHz}$ , $f_{OUT} = 2\text{ MHz}$ sine wave, $v_{dd} = 1.3\text{ V}$		2		mA
$I_{vdd-up}$ (peak)	Peak digital supply current <sup>(6)</sup>	Lasts less than 1 ns		2.5		mA
$I_{vdda-down}$	Analog power at power-down	$T = 30^\circ\text{C}$ , $v_{dda} = 1.8\text{ V}$		1.5		mA
$I_{vdd-down}$	Digital power at power-down	$T = 30^\circ\text{C}$ , $v_{dd} = 1.3\text{ V}$		1		mA

(1) The INL is measured at the output of the DAC (accessible at an external pin during bypass mode).

(2) The DNL is measured at the output of the DAC (accessible at an external pin during bypass mode).

(3) Assuming a capacitor of 0.1  $\mu\text{F}$  at the  $tv\_ref$  node.

(4) The analog supply current  $I_{vdda}$  is directly proportional to the full-scale output current IFS and is insensitive to  $f_{CLK}$ .

(5) The digital supply current  $I_{VDD}$  is dependent on the digital input waveform, the DAC update rate  $f_{CLK}$ , and the digital supply VDD.

(6) The peak digital supply current occurs at full-scale transition for duration less than 1 ns.

( $T_{MIN}$  to  $T_{MAX}$ ,  $vdda\_dac = 1.8 V$ ,  $R_{OUT1/2} = 1650 \Omega$ ,  $R_{LOAD} = 75 \Omega$ , unless otherwise noted)

**Table 5-3. Video DAC – Dynamic Electrical Specification**

	PARAMETER	CONDITIONS/ASSUMPTIONS	MIN	TYP	MAX	UNIT
$f_{CLK}^{(1)}$	Output update rate	Equal to input clock frequency		54		MHz
	Clock jitter	rms clock jitter required in order to assure 10-bit accuracy			40	ps
	Attenuation at 5.1 MHz	Corner frequency for signal	0.1	0.5	1.5	dB
	Attenuation at 54 MHz <sup>(1)</sup>	Image frequency	25	30	33	dB
$t_{ST}$	Output settling time	Time from the start of the output transition to output within $\pm 1$ LSB of final value.		85		ns
$t_{Rout}$	Output rise time	Measured from 10% to 90% of full-scale transition		25		ns
$t_{Fout}$	Output fall time	Measured from 10% to 90% of full-scale transition		25		ns
BW	Signal bandwidth			6		MHz
	Differential gain <sup>(2)</sup>			1.5%		
	Differential phase <sup>(2)</sup>			1		deg.
SFDR	Within bandwidth	$f_{CLK} = 54 \text{ MHz}$ , $f_{OUT} = 1 \text{ MHz}$		45		dB
SNR	Signal-to-noise ratio 1 kHz to 6 MHz bandwidth	$f_{CLK} = 54 \text{ MHz}$ , $f_{OUT} = 1 \text{ MHz}$		55 <sup>(3)</sup>		dB
PSRR	Power supply rejection ratio	Up to 6 MHz		20 <sup>(4)</sup>		dB
Crosstalk	Between the two video channels			-50	-40	dB

- (1) For internal input clock information, For more information, see the DSS chapter of the *OMAP35x Technical Reference Manual (TRM)* [literature number [SPRUJ98](#)].
- (2) The differential gain and phase value is for dc coupling. Note that there is degradation for the ac coupling.
- (3) The SNR value is for dc coupling. Note that there is a 6-dB degradation for ac coupling.
- (4) The PSRR value is for dc coupling. Note that there is a 10-dB degradation for ac coupling.

PRODUCT PREVIEW



### 5.3 Analog Supply (vdda\_dac) Noise Requirements

In order to assure 10-bit accuracy of the DAC analog output, the analog supply vdda\_dac has to meet the noise requirements stated in this section.

The DAC Power Supply Rejection Ratio is defined as the relative variation of the full-scale output current divided by the supply variation. Thus, it is expressed in percentage of Full-Scale Range (FSR) per volt of

$$PSRR_{DAC} = \frac{100 \cdot \frac{\Delta I_{OUT}}{I_{OUTFS}}}{V_{AC}} \quad \left[ \frac{\% FSR}{V} \right]$$

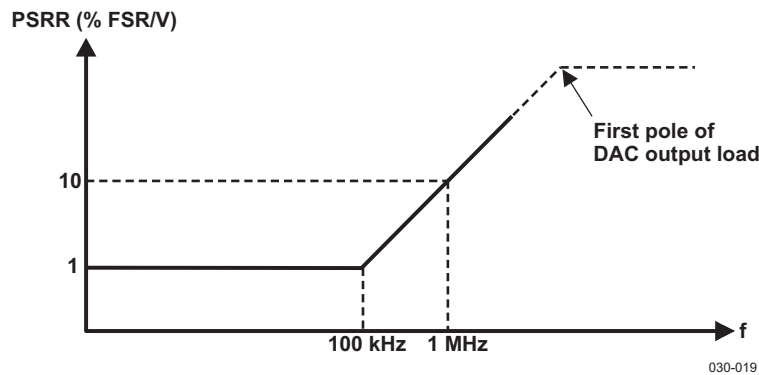
supply variation as shown in the following equation:

Depending on frequency, the PSRR is defined in [Table 5-4](#).

**Table 5-4. Video DAC – Power Supply Rejection Ratio**

Supply Noise Frequency	PSRR % FSR/V
0 to 100 kHz	1
> 100 kHz	The rejection decreases 20 dB/dec. Example: at 1 MHz the PSRR is 10% of FSR/V

A graphic representation is shown in [Figure 5-2](#).



**Figure 5-2. Video DAC – Power Supply Rejection Ratio**

To ensure that the DAC SFDR specification is met, the PSRR values and the clock jitter requirements translate to the following limits on vdda\_dac (for the Video DAC).

The maximum peak-to-peak noise on vdda (ripple) is defined in [Table 5-5](#):

**Table 5-5. Video DAC – Maximum Peak-to-Peak Noise on vdda\_dac**

Tone Frequency	Maximum Peak-to-Peak Noise on vdda_dac
0 to 100 kHz	< 30 mVpp
> 100 kHz	Decreases 20 dB/dec. Example: at 1 MHz the maximum is 3 mVpp

The maximum noise spectral density (white noise) is defined in [Table 5-6](#):

**Table 5-6. Video DAC – Maximum Noise Spectral Density**

Supply Noise Bandwidth	Maximum Supply Noise Density
0 to 100 kHz	< 20 $\mu\text{V} / \sqrt{\text{Hz}}$
> 100 kHz	Decreases 20 dB/dec. Example: at 1 MHz the maximum noise density is 2 $\mu\text{V} / \sqrt{\text{Hz}}$

Because the DAC PSRR deteriorates at a rate of 20 dB/dec after 100 kHz, it is highly recommended to have vdda\_dac low pass filtered (proper decoupling) (see the illustrated application: [Section 5.4, External Component Value Choice](#)).

### 5.4 External Component Value Choice

The full-scale output voltage  $V_{OUTMAX}$  is regulated by the reference amplifier, and is set by an internal resistor  $R_{SET}$ .  $I_{OUTMAX}$  can be expressed as:

$$I_{OUTMAX} = I_{REF} / 8 * (63 + 15/16)$$

Where:

$$V_{REF} = 0.5V$$

$$I_{REF} = V_{REF}/R_{SET}$$

The output current  $I_{OUT}$  appearing at DAC output is a function of both the input code and  $I_{OUTMAX}$  and can be expressed as:

$$I_{OUT} = (DAC\_CODE/1023) * I_{OUTMAX}$$

Where:

DAC\_CODE = 0 to 1023 is the DAC input code in decimal.

The output voltage is:

$$V_{OUT} = I_{OUT} * N * R_{CABLE}$$

Where:

$$(N = \text{amplifier gain} = 21)$$

$$R_{CABLE} = 75 \Omega \text{ (cable typical impedance)}$$

The TV-out buffer requires a per channel external resistors:  $R_{OUT1/2}$ . The equation below can be used to select different resistor values (if necessary):

$$R_{OUT} = (N+1) R_{CABLE} = 1650 \Omega$$

Recommended parameter values are:

**Table 5-7. Video DAC – Recommended External Components Values**

	Recommended Value	UNIT
$C_{BG}$	100	nF
$R_{OUT1/2}$	1650	$\Omega$

In order to limit the reference noise bandwidth and to suppress transients on  $V_{REF}$ , it is necessary to connect a large decoupling capacitor ( $C_{BG}$ ) between the tv\_vref and vssa\_dac pins.

## 6 TIMING REQUIREMENTS AND SWITCHING CHARACTERISTICS

### 6.1 Timing Test Conditions

All timing requirements and switching characteristics are valid over the recommended operating conditions of [Table 3-3](#), unless otherwise specified.

### 6.2 Interface Clock Specifications

#### 6.2.1 Interface Clock Terminology

The Interface clock is used at the system level to sequence the data and/or control transfers accordingly with the interface protocol.

#### 6.2.2 Interface Clock Frequency

The two interface clock characteristics are:

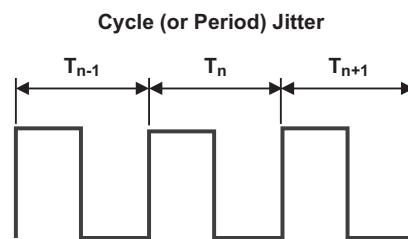
- The maximum clock frequency
- The maximum operating frequency

The interface clock frequency documented in this document is the maximum clock frequency, which corresponds to the maximum frequency programmable on this output clock. This frequency defines the maximum limit supported by the OMAP3530/25 IC and doesn't take into account any system consideration (PCB, peripherals).

The system designer will have to consider these system considerations and OMAP3530/25 IC timings characteristics as well, to define properly the maximum operating frequency, which corresponds to the maximum frequency supported to transfer the data on this interface.

#### 6.2.3 Clock Jitter Specifications

Jitter is a phase noise, which may alter different characteristics of a clock signal. The jitter specified in this document is the time difference between the typical cycle period and the actual cycle period affected by noise sources on the clock. The cycle (or period) jitter terminology identifies this type of jitter.



Max. Cycle Jitter = Max ( $T_i$ )

Min. Cycle Jitter = Min ( $T_i$ )

Jitter Standard Deviation (or rms Jitter) = Standard Deviation ( $T_i$ )

030-020

Figure 6-1. Cycle (or Period) Jitter

#### 6.2.4 Clock Duty Cycle Error

The duty cycle error is the ratio between either the high-level pulse duration or the low-level pulse duration and the cycle time of a clock signal.

### 6.3 Timing Parameters

The timing parameter symbols used in the timing requirement and switching characteristic tables are created in accordance with JEDEC Standard 100. To shorten the symbols, some pin names and other related terminologies have been abbreviated as follows:

**Table 6-1. Timing Parameters**

LOWERCASE SUBSCRIPTS	
Symbols	Parameter
c	Cycle time (period)
d	Delay time
dis	Disable time
en	Enable time
h	Hold time
su	Setup time
START	Start bit
t	Transition time
v	Valid time
w	Pulse duration (width)
X	Unknown, changing, or don't care level
H	High
L	Low
V	Valid
IV	Invalid
AE	Active Edge
FE	First Edge
LE	Last Edge
Z	High impedance

PRODUCT PREVIEW

## 6.4 External Memory Interfaces

The OMAP3530/25 processor includes the following external memory interfaces:

- General-purpose memory controller (GPMC)
- SDRAM controller (SDRC)

### 6.4.1 General-Purpose Memory Controller (GPMC)

The GPMC is the OMAP3530/25 unified memory controller used to interface external memory devices such as:

- Asynchronous SRAM-like memories and ASIC devices
- Asynchronous page mode and synchronous burst NOR flash
- NAND flash

#### 6.4.1.1 GPMC/NOR Flash Interface Synchronous Timing

Table 6-3 and Table 6-4 assume testing over the recommended operating conditions (see Figure 6-2 through Figure 6-5) and electrical characteristic conditions.

**Table 6-2. GPMC/NOR Flash Synchronous Mode Timing Conditions**

TIMING CONDITION PARAMETER		VALUE	UNIT
<b>Input Conditions</b>			
$t_R$	Input signal rise time	1.8	ns
$t_F$	Input signal fall time	1.8	ns
<b>Output Conditions</b>			
$C_{LOAD}$	Output load capacitance	15.94	pF

**Table 6-3. GPMC/NOR Flash Interface Timing Requirements – Synchronous Mode**

NO.	PARAMETER		1.15 V		1.0 V		0.9 V		UNIT
			MIN	MAX	MIN	MAX	MIN	MAX	
F12	$t_{su}(DV-CLKH)$	Setup time, read gpmc_d[15:0] valid before gpmc_clk high	1.9		1.9		3.2		ns
F13	$t_h(CLKH-DV)$	Hold time, read gpmc_d[15:0] valid after gpmc_clk high	2.5		2.5		2.5		ns
F21	$t_{su}(WAITV-CLKH)$	Setup time, gpmc_waitx <sup>(1)</sup> valid before gpmc_clk high	1.9		1.9		3.2		ns
F22	$t_h(CLKH-WAITV)$	Hold Time, gpmc_waitx <sup>(1)</sup> valid after gpmc_clk high	2.5		2.5		2.5		ns

(1) Wait monitoring support is limited to a WaitMonitoringTime value > 0. For a full description of wait monitoring feature, see the *OMAP35x Technical Reference Manual* (literature number [SPRU988](#))

**Table 6-4. GPMC/NOR Flash Interface Switching Characteristics – Synchronous Mode**

NO.	PARAMETER		1.15 V		1.0 V		0.9 V		UNIT
			MIN	MAX	MIN	MAX	MIN	MAX	
F0	$t_c(CLK)$	Cycle time <sup>(15)</sup> , output clock gpmc_clk period	10		12.05		25		ns
F1	$t_w(CLKH)$	Typical pulse duration, output clock gpmc_clk high	0.5 P <sup>(12)</sup>	0.5 P <sup>(12)</sup>	0.5 P <sup>(12)</sup>	0.5 P <sup>(12)</sup>	0.5 P <sup>(12)</sup>	0.5 P <sup>(12)</sup>	ns
F1	$t_w(CLKL)$	Typical pulse duration, output clock gpmc_clk low	0.5 P <sup>(12)</sup>	0.5 P <sup>(12)</sup>	0.5 P <sup>(12)</sup>	0.5 P <sup>(12)</sup>	0.5 P <sup>(12)</sup>	0.5 P <sup>(12)</sup>	ns
	$t_{dc}(CLK)$	Duty cycle error, output clk gpmc_clk	–500	500	–602	602	–1250	1250	ps

**Table 6-4. GPMC/NOR Flash Interface Switching Characteristics – Synchronous Mode (continued)**

NO.	PARAMETER		1.15 V		1.0 V		0.9 V		UNIT
			MIN	MAX	MIN	MAX	MIN	MAX	
	$t_{j(\text{CLK})}$	Jitter standard deviation <sup>(16)</sup> , output clock gpmc_clk		33.3		33.3		33.3	ps
	$t_{R(\text{CLK})}$	Rise time, output clock gpmc_clk		1.6		2		2	ns
	$t_{F(\text{CLK})}$	Fall time, output clock gpmc_clk		1.6		2		2	ns
	$t_{R(\text{DO})}$	Rise time, output data		2		2		2	ns
	$t_{F(\text{DO})}$	Fall time, output data		2		2		2	ns
F2	$t_{d(\text{CLKH-nCSV})}$	Delay time, gpmc_clk rising edge to gpmc_ncsx <sup>(11)</sup> transition	F <sup>(6)</sup> – 1.9	F <sup>(6)</sup> + 3.3	F <sup>(6)</sup> – 1.8	F <sup>(6)</sup> + 4.1	F <sup>(6)</sup> – 2.6	F <sup>(6)</sup> + 4.9	ns
F3	$t_{d(\text{CLKH-nCSIV})}$	Delay time, gpmc_clk rising edge to gpmc_ncsx <sup>(11)</sup> invalid	E <sup>(5)</sup> – 1.9	E <sup>(5)</sup> + 3.3	E <sup>(5)</sup> – 1.8	E <sup>(5)</sup> + 4.1	E <sup>(5)</sup> – 2.6	E <sup>(5)</sup> + 4.9	ns
F4	$t_{d(\text{ADDV-CLK})}$	Delay time, address bus valid to gpmc_clk first edge	B <sup>(2)</sup> – 4.1	B <sup>(2)</sup> + 2.1	B <sup>(2)</sup> – 4.1	B <sup>(2)</sup> + 2.1	B <sup>(2)</sup> – 4.9	B <sup>(2)</sup> + 2.6	ns
F5	$t_{d(\text{CLKH-ADDIV})}$	Delay time, gpmc_clk rising edge to gpmc_a[16:1] invalid	–2.1		–2.1		–2.6		ns
F6	$t_{d(\text{nBEV-CLK})}$	Delay time, gpmc_nbe0_cle, gpmc_nbe1 valid to gpmc_clk first edge	B <sup>(2)</sup> – 1.1	B <sup>(2)</sup> + 2.1	B <sup>(2)</sup> – 0.9	B <sup>(2)</sup> + 1.9	B <sup>(2)</sup> – 2.6	B <sup>(2)</sup> + 2.6	ns
F7	$t_{d(\text{CLKH-nBEIV})}$	Delay time, gpmc_clk rising edge to gpmc_nbe0_cle, gpmc_nbe1 invalid	D <sup>(4)</sup> – 2.1	D <sup>(4)</sup> + 1.1	D <sup>(4)</sup> – 1.9	D <sup>(4)</sup> + 0.9	D <sup>(4)</sup> – 2.6	D <sup>(4)</sup> + 2.6	ns
F8	$t_{d(\text{CLKH-nADV})}$	Delay time, gpmc_clk rising edge to gpmc_nadv_ale transition	G <sup>(7)</sup> – 1.9	G <sup>(7)</sup> + 4.1	G <sup>(7)</sup> – 2.1	G <sup>(7)</sup> + 4.1	G <sup>(7)</sup> – 2.6	G <sup>(7)</sup> + 4.9	ns
F9	$t_{d(\text{CLKH-nADVIV})}$	Delay time, gpmc_clk rising edge to gpmc_nadv_ale invalid	D <sup>(4)</sup> – 1.9	D <sup>(4)</sup> + 4.1	D <sup>(4)</sup> – 2.1	D <sup>(4)</sup> + 4.1	D <sup>(4)</sup> – 2.6	D <sup>(4)</sup> + 4.9	ns
F10	$t_{d(\text{CLKH-nOE})}$	Delay time, gpmc_clk rising edge to gpmc_noe transition	H <sup>(8)</sup> – 2.1	H <sup>(8)</sup> + 2.1	H <sup>(8)</sup> – 2.1	H <sup>(8)</sup> + 2.1	H <sup>(8)</sup> – 2.6	H <sup>(8)</sup> + 4.9	ns
F11	$t_{d(\text{CLKH-nOEIV})}$	Delay time, gpcm rising edge to gpmc_noe invalid	E <sup>(5)</sup> – 2.1	E <sup>(5)</sup> + 2.1	E <sup>(5)</sup> – 2.1	E <sup>(5)</sup> + 2.1	E <sup>(5)</sup> – 2.6	E <sup>(5)</sup> + 4.9	ns
F14	$t_{d(\text{CLKH-nWE})}$	Delay time, gpmc_clk rising edge to gpmc_nwe transition	I <sup>(9)</sup> – 1.9	I <sup>(9)</sup> + 4.1	I <sup>(9)</sup> – 2.1	I <sup>(9)</sup> + 4.1	I <sup>(9)</sup> – 2.6	I <sup>(9)</sup> + 4.9	ns
F15	$t_{d(\text{CLKH-Data})}$	Delay time, gpmc_clk rising edge to data bus transition	J <sup>(10)</sup> – 2.1	J <sup>(10)</sup> + 1.1	J <sup>(10)</sup> – 1.9	J <sup>(10)</sup> + 0.9	J <sup>(10)</sup> – 2.6	J <sup>(10)</sup> + 2.6	ns
F17	$t_{d(\text{CLKH-nBE})}$	Delay time, gpmc_clk rising edge to gpmc_nbex_cle transition	J <sup>(10)</sup> – 2.1	J <sup>(10)</sup> + 1.1	J <sup>(10)</sup> – 1.9	J <sup>(10)</sup> + 0.9	J <sup>(10)</sup> – 2.6	J <sup>(10)</sup> + 2.6	ns
F18	$t_{W(\text{nCSV})}$	Pulse duration, gpmc_ncsx <sup>(11)</sup> low	Read	A <sup>(1)</sup>		A <sup>(1)</sup>		A <sup>(1)</sup>	ns
			Write	A <sup>(1)</sup>		A <sup>(1)</sup>		A <sup>(1)</sup>	ns
F19	$t_{W(\text{nBEV})}$	Pulse duration, gpmc_nbe0_cle, gpmc_nbe1 low	Read	C <sup>(3)</sup>		C <sup>(3)</sup>		C <sup>(3)</sup>	ns
			Write	C <sup>(3)</sup>		C <sup>(3)</sup>		C <sup>(3)</sup>	ns
F20	$t_{W(\text{nADV})}$	Pulse duration, gpmc_nadv_ale low	Read	K <sup>(13)</sup>		K <sup>(13)</sup>		K <sup>(13)</sup>	ns
			Write	K <sup>(13)</sup>		K <sup>(13)</sup>		K <sup>(13)</sup>	ns

**Table 6-4. GPMC/NOR Flash Interface Switching Characteristics – Synchronous Mode (continued)**

NO.	PARAMETER		1.15 V		1.0 V		0.9 V		UNIT
			MIN	MAX	MIN	MAX	MIN	MAX	
F23	$t_{d(\text{CLKH-IODIR})}$	Delay time, gpmc_clk rising edge to gpmc_io_dir high (IN direction)	$H^{(8)} - 2.1$	$H^{(8)} + 4.1$	$H^{(8)} - 2.1$	$H^{(8)} + 4.1$	$H^{(8)} - 2.6$	$H^{(8)} + 4.9$	ns
F24	$t_{d(\text{CLKH-IODIV})}$	Delay time, gpmc_clk rising edge to gpmc_io_dir low (OUT direction)	$M^{(17)} - 2.1$	$M^{(17)} + 4.1$	$M^{(17)} - 2.1$	$M^{(17)} + 4.1$	$M^{(17)} - 2.6$	$M^{(17)} + 4.9$	ns

(1) **For single read:**  $A = (\text{CSRdOffTime} - \text{CSOnTime}) * (\text{TimeParaGranularity} + 1) * \text{GPMC\_FCLK period}$   
**For burst read:**  $A = (\text{CSRdOffTime} - \text{CSOnTime} + (n - 1) * \text{PageBurstAccessTime}) * (\text{TimeParaGranularity} + 1) * \text{GPMC\_FCLK period}$   
**For burst write:**  $A = (\text{CSWrOffTime} - \text{CSOnTime} + (n - 1) * \text{PageBurstAccessTime}) * (\text{TimeParaGranularity} + 1) * \text{GPMC\_FCLK period}$   
with n being the page burst access number.

(2)  $B = \text{ClkActivationTime} * \text{GPMC\_FCLK}$

(3) **For single read:**  $C = \text{RdCycleTime} * (\text{TimeParaGranularity} + 1) * \text{GPMC\_FCLK}$

**For burst read:**  $C = (\text{RdCycleTime} + (n - 1) * \text{PageBurstAccessTime}) * (\text{TimeParaGranularity} + 1) * \text{GPMC\_FCLK}$

**For burst write:**  $C = (\text{WrCycleTime} + (n - 1) * \text{PageBurstAccessTime}) * (\text{TimeParaGranularity} + 1) * \text{GPMC\_FCLK}$  with n being the page burst access number.

(4) **For single read:**  $D = (\text{RdCycleTime} - \text{AccessTime}) * (\text{TimeParaGranularity} + 1) * \text{GPMC\_FCLK}$

**For burst read:**  $D = (\text{RdCycleTime} - \text{AccessTime}) * (\text{TimeParaGranularity} + 1) * \text{GPMC\_FCLK}$

**For burst write:**  $D = (\text{WrCycleTime} - \text{AccessTime}) * (\text{TimeParaGranularity} + 1) * \text{GPMC\_FCLK}$

(5) **For single read:**  $E = (\text{CSRdOffTime} - \text{AccessTime}) * (\text{TimeParaGranularity} + 1) * \text{GPMC\_FCLK}$

**For burst read:**  $E = (\text{CSRdOffTime} - \text{AccessTime}) * (\text{TimeParaGranularity} + 1) * \text{GPMC\_FCLK}$

**For burst write:**  $E = (\text{CSWrOffTime} - \text{AccessTime}) * (\text{TimeParaGranularity} + 1) * \text{GPMC\_FCLK}$

(6) **For nCS falling edge (CS activated):**

– **Case GpmcFCLKDivider = 0:**

–  $F = 0.5 * \text{CSExtraDelay} * \text{GPMC\_FCLK}$

– **Case GpmcFCLKDivider = 1:**

–  $F = 0.5 * \text{CSExtraDelay} * \text{GPMC\_FCLK}$  if (ClkActivationTime and CSOnTime are odd) or (ClkActivationTime and CSOnTime are even)

–  $F = (1 + 0.5 * \text{CSExtraDelay}) * \text{GPMC\_FCLK}$  otherwise

– **Case GpmcFCLKDivider = 2:**

–  $F = 0.5 * \text{CSExtraDelay} * \text{GPMC\_FCLK}$  if ((CSOnTime – ClkActivationTime) is a multiple of 3)

–  $F = (1 + 0.5 * \text{CSExtraDelay}) * \text{GPMC\_FCLK}$  if ((CSOnTime – ClkActivationTime – 1) is a multiple of 3)

–  $F = (2 + 0.5 * \text{CSExtraDelay}) * \text{GPMC\_FCLK}$  if ((CSOnTime – ClkActivationTime – 2) is a multiple of 3)

(7) **For ADV falling edge (ADV activated):**

– **Case GpmcFCLKDivider = 0:**

–  $G = 0.5 * \text{ADVExtraDelay} * \text{GPMC\_FCLK}$

– **Case GpmcFCLKDivider = 1:**

–  $G = 0.5 * \text{ADVExtraDelay} * \text{GPMC\_FCLK}$  if (ClkActivationTime and ADVOnTime are odd) or (ClkActivationTime and ADVOnTime are even)

–  $G = (1 + 0.5 * \text{ADVExtraDelay}) * \text{GPMC\_FCLK}$  otherwise

– **Case GpmcFCLKDivider = 2:**

–  $G = 0.5 * \text{ADVExtraDelay} * \text{GPMC\_FCLK}$  if ((ADVOnTime – ClkActivationTime) is a multiple of 3)

–  $G = (1 + 0.5 * \text{ADVExtraDelay}) * \text{GPMC\_FCLK}$  if ((ADVOnTime – ClkActivationTime – 1) is a multiple of 3)

–  $G = (2 + 0.5 * \text{ADVExtraDelay}) * \text{GPMC\_FCLK}$  if ((ADVOnTime – ClkActivationTime – 2) is a multiple of 3)

**For ADV rising edge (ADV deactivated) in Reading mode:**

– **Case GpmcFCLKDivider = 0:**

–  $G = 0.5 * \text{ADVExtraDelay} * \text{GPMC\_FCLK}$

– **Case GpmcFCLKDivider = 1:**

–  $G = 0.5 * \text{ADVExtraDelay} * \text{GPMC\_FCLK}$  if (ClkActivationTime and ADVRdOffTime are odd) or (ClkActivationTime and ADVRdOffTime are even)

–  $G = (1 + 0.5 * \text{ADVExtraDelay}) * \text{GPMC\_FCLK}$  otherwise

– **Case GpmcFCLKDivider = 2:**

–  $G = 0.5 * \text{ADVExtraDelay} * \text{GPMC\_FCLK}$  if ((ADVRdOffTime – ClkActivationTime) is a multiple of 3)

–  $G = (1 + 0.5 * \text{ADVExtraDelay}) * \text{GPMC\_FCLK}$  if ((ADVRdOffTime – ClkActivationTime – 1) is a multiple of 3)

–  $G = (2 + 0.5 * \text{ADVExtraDelay}) * \text{GPMC\_FCLK}$  if ((ADVRdOffTime – ClkActivationTime – 2) is a multiple of 3)

**For ADV rising edge (ADV deactivated) in Writing mode:**

– **Case GpmcFCLKDivider = 0:**

–  $G = 0.5 * \text{ADVExtraDelay} * \text{GPMC\_FCLK}$

– **Case GpmcFCLKDivider = 1:**

–  $G = 0.5 * \text{ADVExtraDelay} * \text{GPMC\_FCLK}$  if (ClkActivationTime and ADVWrOffTime are odd) or (ClkActivationTime and ADVWrOffTime are even)

–  $G = (1 + 0.5 * \text{ADVExtraDelay}) * \text{GPMC\_FCLK}$  otherwise

– **Case GpmcFCLKDivider = 2:**

- $G = 0.5 * ADVExtraDelay * GPMC\_FCLK$  if  $((ADVWrOffTime - ClkActivationTime)$  is a multiple of 3)
- $G = (1 + 0.5 * ADVExtraDelay) * GPMC\_FCLK$  if  $((ADVWrOffTime - ClkActivationTime - 1)$  is a multiple of 3)
- $G = (2 + 0.5 * ADVExtraDelay) * GPMC\_FCLK$  if  $((ADVWrOffTime - ClkActivationTime - 2)$  is a multiple of 3)

**(8) For OE falling edge (OE activated) / IO DIR rising edge (Data Bus input direction):**

- **Case GpmcFCLKDivider = 0:**
  - $H = 0.5 * OEEExtraDelay * GPMC\_FCLK$
- **Case GpmcFCLKDivider = 1:**
  - $H = 0.5 * OEEExtraDelay * GPMC\_FCLK$  if  $(ClkActivationTime$  and  $OEOntime$  are odd) or  $(ClkActivationTime$  and  $OEOntime$  are even)
  - $H = (1 + 0.5 * OEEExtraDelay) * GPMC\_FCLK$  otherwise
- **Case GpmcFCLKDivider = 2:**
  - $H = 0.5 * OEEExtraDelay * GPMC\_FCLK$  if  $((OEOntime - ClkActivationTime)$  is a multiple of 3)
  - $H = (1 + 0.5 * OEEExtraDelay) * GPMC\_FCLK$  if  $((OEOntime - ClkActivationTime - 1)$  is a multiple of 3)
  - $H = (2 + 0.5 * OEEExtraDelay) * GPMC\_FCLK$  if  $((OEOntime - ClkActivationTime - 2)$  is a multiple of 3)

**For OE rising edge (OE deactivated):**

- **GpmcFCLKDivider = 0:**
  - $H = 0.5 * OEEExtraDelay * GPMC\_FCLK$
- **Case GpmcFCLKDivider = 1:**
  - $H = 0.5 * OEEExtraDelay * GPMC\_FC$  if  $(ClkActivationTime$  and  $OEOffTime$  are odd) or  $(ClkActivationTime$  and  $OEOffTime$  are even)
  - $H = (1 + 0.5 * OEEExtraDelay) * GPMC\_FCLK$  otherwise
- **Case GpmcFCLKDivider = 2:**
  - $H = 0.5 * OEEExtraDelay * GPMC\_FCLK$  if  $((OEOffTime - ClkActivationTime)$  is a multiple of 3)
  - $H = (1 + 0.5 * OEEExtraDelay) * GPMC\_FCLK$  if  $((OEOffTime - ClkActivationTime - 1)$  is a multiple of 3)
  - $H = (2 + 0.5 * OEEExtraDelay) * GPMC\_FCLK$  if  $((OEOffTime - ClkActivationTime - 2)$  is a multiple of 3)

**(9) For WE falling edge (WE activated):**

- **Case GpmcFCLKDivider = 0:**
  - $I = 0.5 * WEEExtraDelay * GPMC\_FCLK$
- **Case GpmcFCLKDivider = 1:**
  - $I = 0.5 * WEEExtraDelay * GPMC\_FCLK$  if  $(ClkActivationTime$  and  $WEOnTime$  are odd) or  $(ClkActivationTime$  and  $WEOnTime$  are even)
  - $I = (1 + 0.5 * WEEExtraDelay) * GPMC\_FCLK$  otherwise
- **Case GpmcFCLKDivider = 2:**
  - $I = 0.5 * WEEExtraDelay * GPMC\_FCLK$  if  $((WEOnTime - ClkActivationTime)$  is a multiple of 3)
  - $I = (1 + 0.5 * WEEExtraDelay) * GPMC\_FCLK$  if  $((WEOnTime - ClkActivationTime - 1)$  is a multiple of 3)
  - $I = (2 + 0.5 * WEEExtraDelay) * GPMC\_FCLK$  if  $((WEOnTime - ClkActivationTime - 2)$  is a multiple of 3)

**For WE rising edge (WE deactivated):**

- **Case GpmcFCLKDivider = 0:**
  - $I = 0.5 * WEEExtraDelay * GPMC\_FCLK$
- **Case GpmcFCLKDivider = 1:**
  - $I = 0.5 * WEEExtraDelay * GPMC\_FCLK$  if  $(ClkActivationTime$  and  $WEOffTime$  are odd) or  $(ClkActivationTime$  and  $WEOffTime$  are even)
  - $I = (1 + 0.5 * WEEExtraDelay) * GPMC\_FCLK$  otherwise
- **Case GpmcFCLKDivider = 2:**
  - $I = 0.5 * WEEExtraDelay * GPMC\_FCLK$  if  $((WEOffTime - ClkActivationTime)$  is a multiple of 3)
  - $I = (1 + 0.5 * WEEExtraDelay) * GPMC\_FCLK$  if  $((WEOffTime - ClkActivationTime - 1)$  is a multiple of 3)
  - $I = (2 + 0.5 * WEEExtraDelay) * GPMC\_FCLK$  if  $((WEOffTime - ClkActivationTime - 2)$  is a multiple of 3)

(10)  $J = GPMC\_FCLK$  period

(11) In  $gpmc\_ncsx$ ,  $x$  is equal to 0, 1, 2, 3, 4, 5, 6, or 7. In  $gpmc\_waitx$ ,  $x$  is equal to 0, 1, 2, or 3.

(12)  $P = gpmc\_clk$  period

(13) **For read:**  $K = (ADVrdOffTime - ADVOnTime) * (TimeParaGranularity + 1) * GPMC\_FCLK$   
**For write:**  $K = (ADVWrOffTime - ADVOnTime) * (TimeParaGranularity + 1) * GPMC\_FCLK$

(14)  $GPMC\_FCLK$  is General-Purpose Memory Controller internal functional clock.

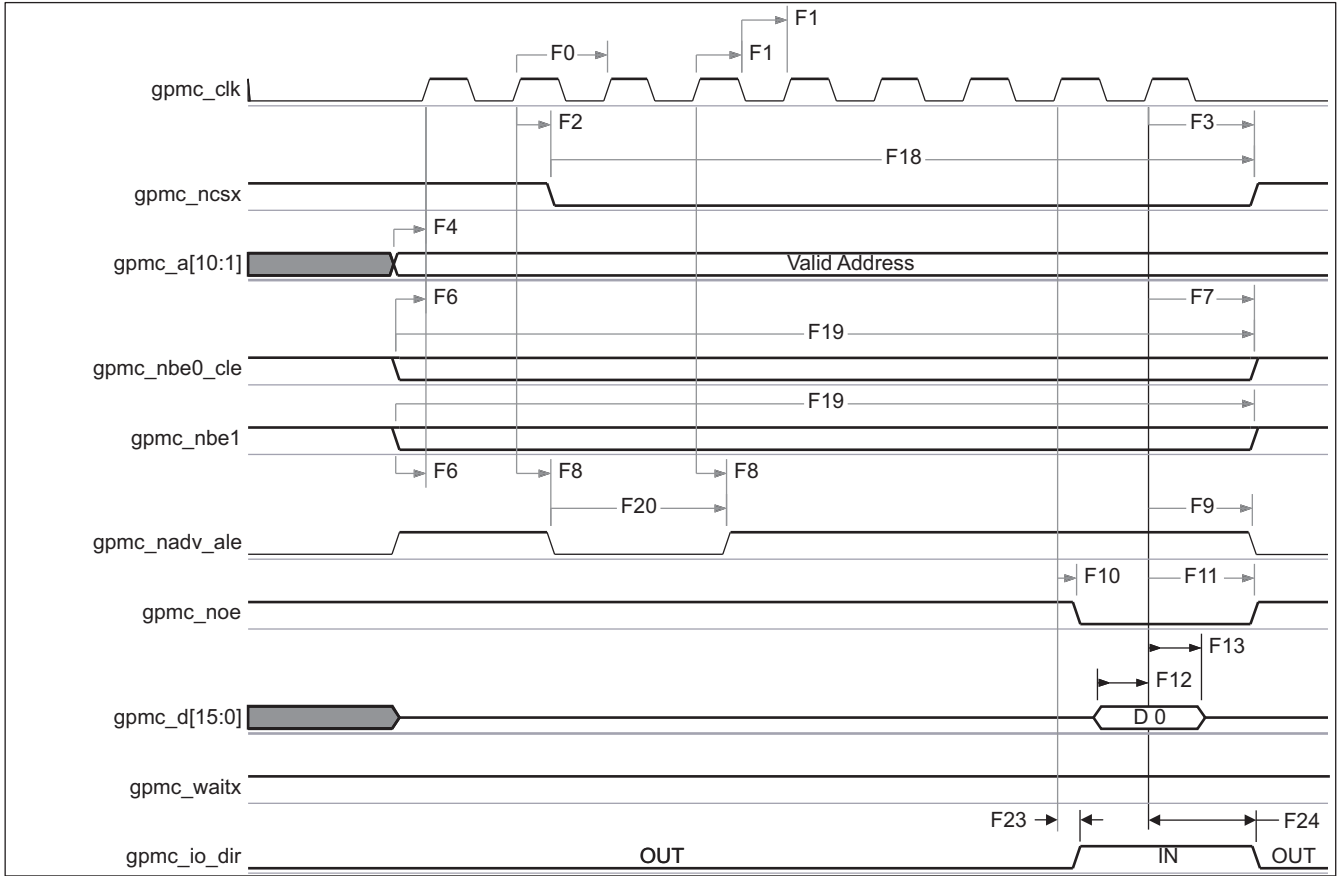
(15) Related to the  $gpmc\_clk$  output clock maximum and minimum frequencies programmable in the I/F module by setting the  $GPMC\_CONFIG1\_CSx$  configuration register bit field  $GpmcFCLKDivider$ .

(16) The jitter probability density can be approximated by a Gaussian function.

(17)  $M = (RdCycleTime - AccessTime) * (TimeParaGranularity + 1) * GPMC\_FCLK$

Above  $M$  parameter expression is given as one example of GPMC programming. IO DIR signal will go from IN to OUT after both  $RdCycleTime$  and  $BusTurnAround$  completion. Behavior of IO direction signal does depend on kind of successive Read/Write accesses performed to Memory and multiplexed or non-multiplexed memory addressing scheme, bus keeping feature enabled or not. IO DIR behavior is automatically handled by GPMC controller. For a full description of the  $gpmc\_io\_dir$  feature, see the *OMAP35x Technical Reference Manual (TRM)* [literature number [SPRUF98](#)].

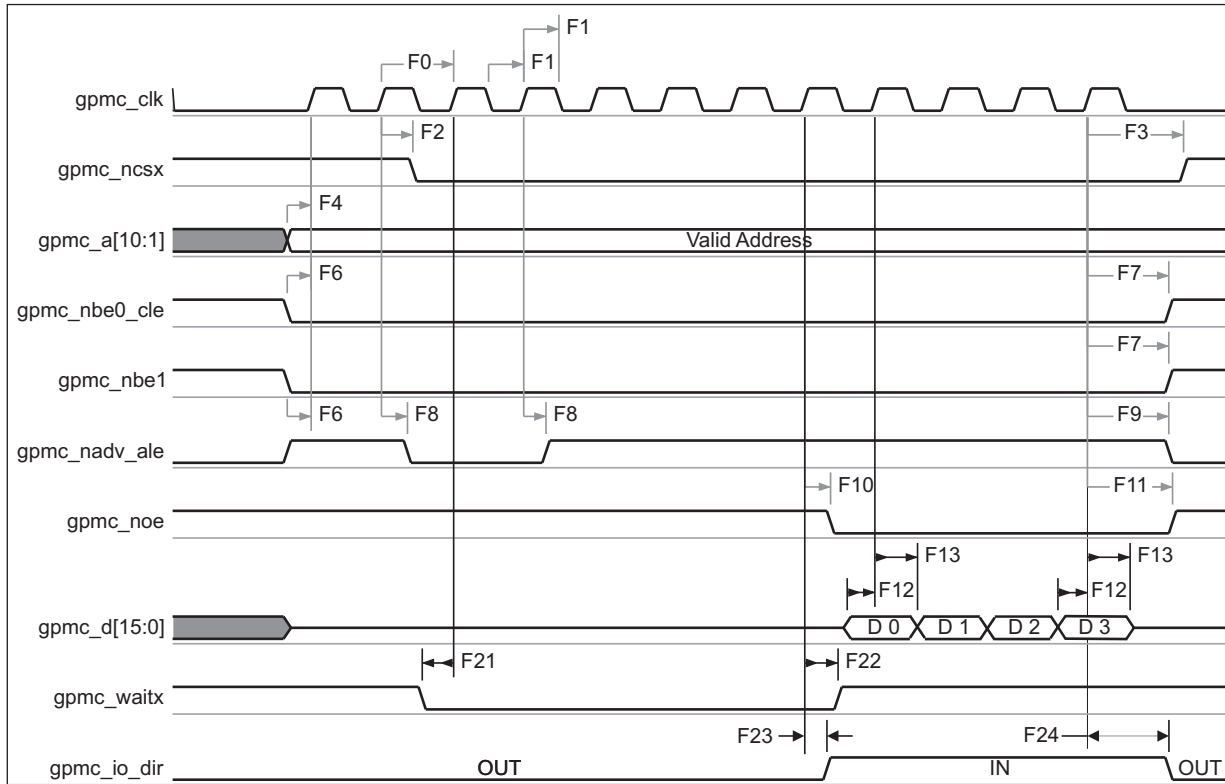




030-021

In gpmc\_ncsx, x is equal to 0, 1, 2, 3, 4, 5, 6, or 7. In gpmc\_waitx, x is equal to 0, 1, 2, or 3.

**Figure 6-2. GPMC/NOR Flash – Synchronous Single Read – (GpmcFCLKDivider = 0)**

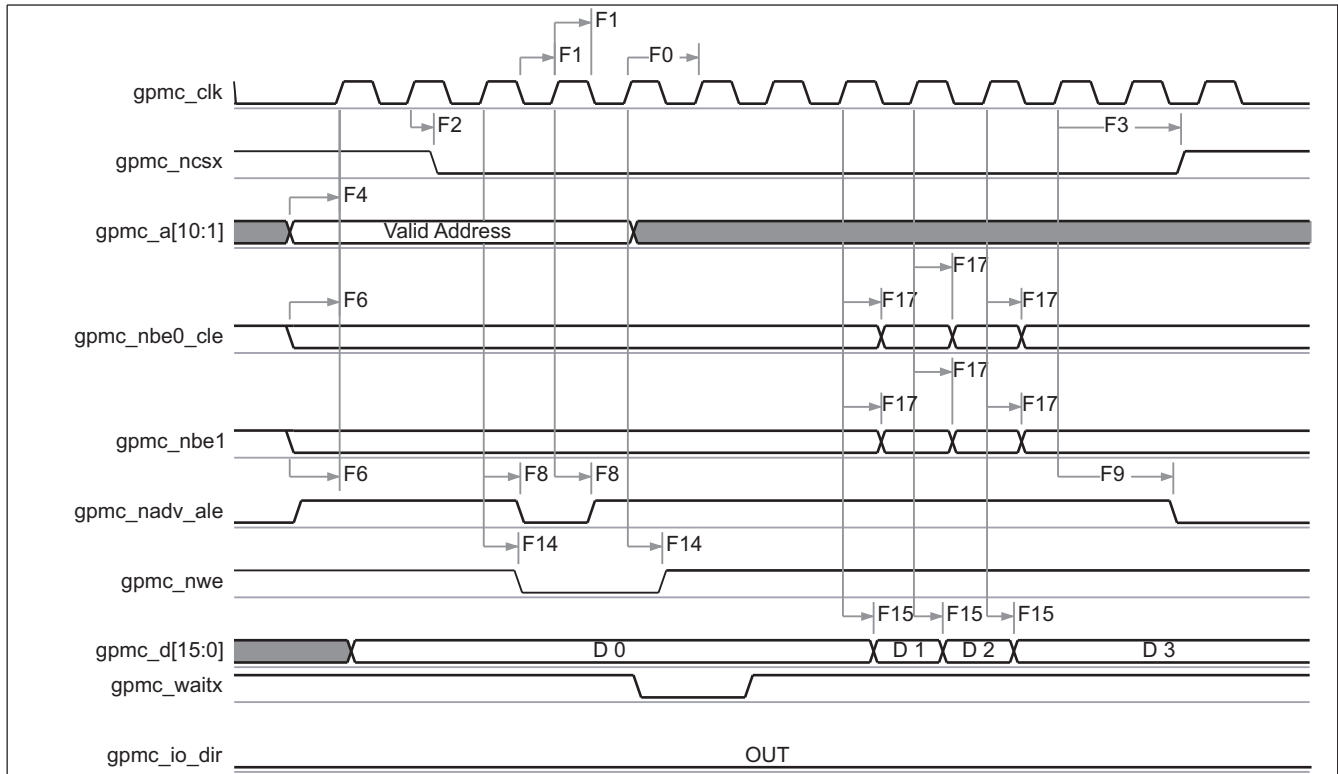


030-022

In gpmc\_ncsx, x is equal to 0, 1, 2, 3, 4, 5, 6, or 7. In gpmc\_waitx, x is equal to 0, 1, 2, or 3.

**Figure 6-3. GPMC/NOR Flash – Synchronous Burst Read – 4x16-bit (GpmcFCLKDivider = 0)**

PRODUCT PREVIEW

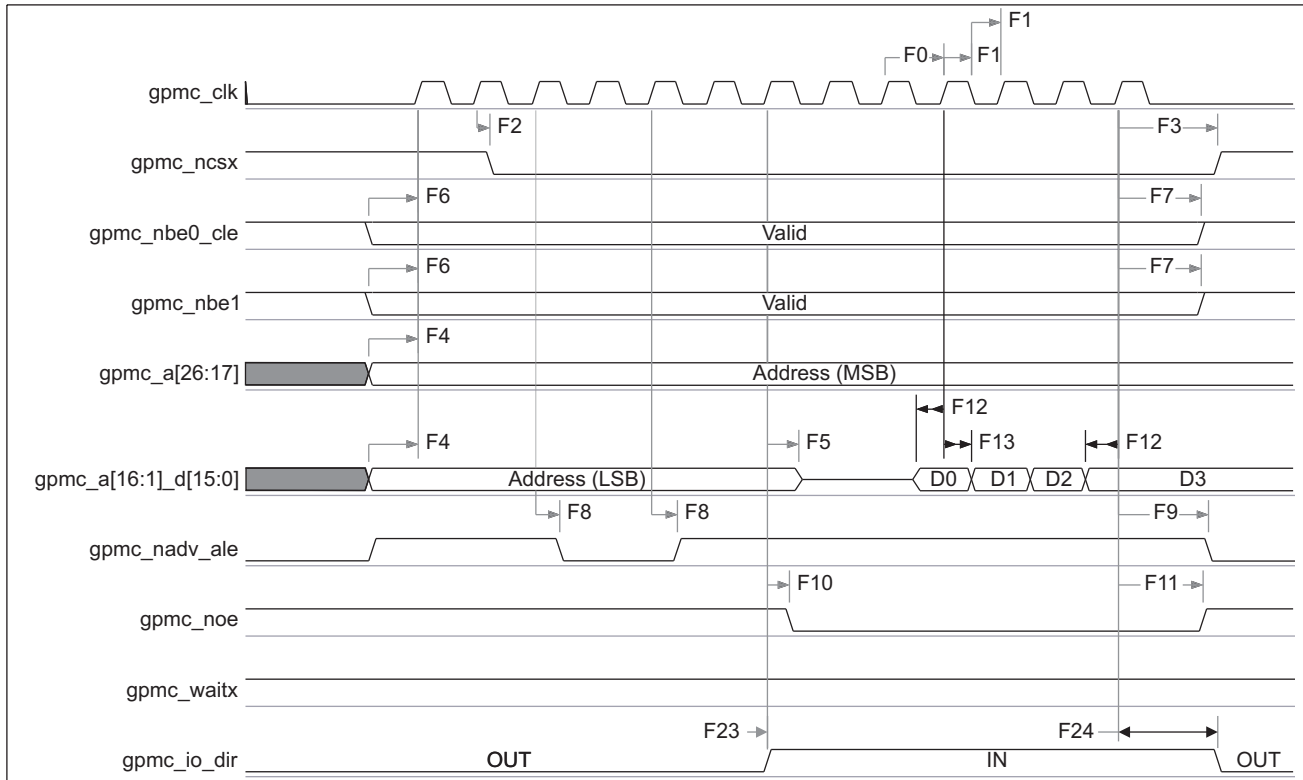


030-023

In gpmc\_ncsx, x is equal to 0, 1, 2, 3, 4, 5, 6, or 7. In gpmc\_waitx, x is equal to 0, 1, 2, or 3.

**Figure 6-4. GPMC/NOR Flash – Synchronous Burst Write – (GpmcFCLKDivider = 0)**

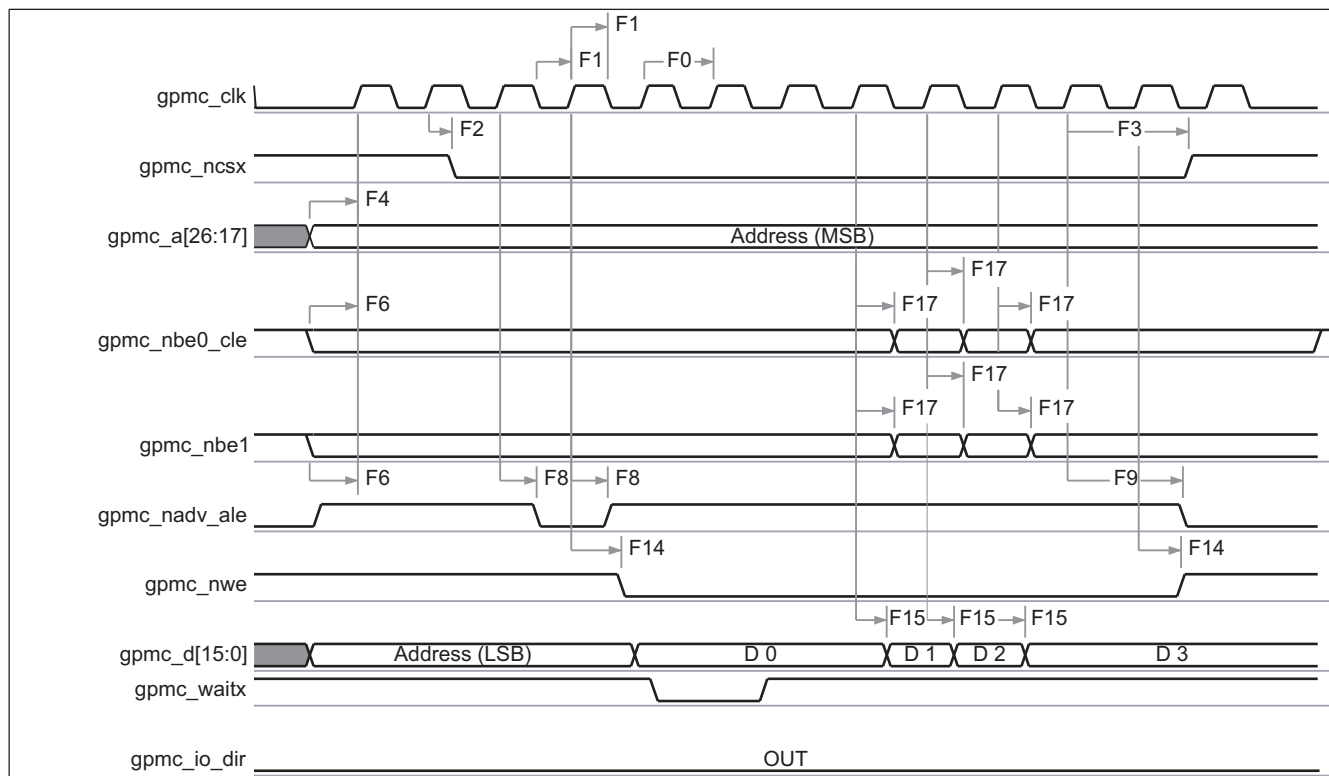
PRODUCT PREVIEW



030-024

In gpmc\_ncsx, x is equal to 0, 1, 2, 3, 4, 5, 6, or 7. In gpmc\_waitx, x is equal to 0, 1, 2, or 3.

**Figure 6-5. GPMC/Multiplexed NOR Flash – Synchronous Burst Read**



030-025

In gpmc\_ncsx, x is equal to 0, 1, 2, 3, 4, 5, 6, or 7. In gpmc\_waitx, x is equal to 0, 1, 2, or 3.

Figure 6-6. GPMC/Multiplexed NOR Flash – Synchronous Burst Write

PRODUCT PREVIEW

6.4.1.2 GPMC/NOR Flash Interface Asynchronous Timing

Table 6-7 and Table 6-8 assume testing over the recommended operating conditions (see Figure 6-7 through Figure 6-12) and electrical characteristic conditions.

Table 6-5. GPMC/NOR Flash Asynchronous Mode Timing Conditions

TIMING CONDITION PARAMETER		VALUE	UNIT
<b>Input Conditions</b>			
$t_R$	Input signal rise time	1.8	ns
$t_F$	Input signal fall time	1.8	ns
<b>Output Conditions</b>			
$C_{LOAD}$	Output load capacitance	15.94	pF

Table 6-6. GPMC/NOR Flash Interface Asynchronous Timing – Internal Parameters<sup>(1)(2)</sup>

NO.	PARAMETER	1.15 V		1.0 V		0.9 V		UNIT
		MIN	MAX	MIN	MAX	MIN	MAX	
F11	Maximum output data generation delay from internal functional clock		6.5		9.1		13.7	ns
F12	Maximum input data capture delay by internal functional clock		4		5.6		8.1	ns
F13	Maximum device select generation delay from internal functional clock		6.5		9.1		13.7	ns

(1) The internal parameters table must be used to calculate Data Access Time stored in the corresponding CS register bit field.

(2) Internal parameters are referred to the GPMC functional internal clock which is not provided externally.

**Table 6-6. GPMC/NOR Flash Interface Asynchronous Timing – Internal Parameters (continued)**

NO.	PARAMETER	1.15 V		1.0 V		0.9 V		UNIT
		MIN	MAX	MIN	MAX	MIN	MAX	
FI4	Maximum address generation delay from internal functional clock		6.5		9.1		13.7	ns
FI5	Maximum address valid generation delay from internal functional clock		6.5		9.1		13.7	ns
FI6	Maximum byte enable generation delay from internal functional clock		6.5		9.1		13.7	ns
FI7	Maximum output enable generation delay from internal functional clock		6.5		9.1		13.7	ns
FI8	Maximum write enable generation delay from internal functional clock		6.5		9.1		13.7	ns
FI9	Maximum functional clock skew		100		170		200	ps

**Table 6-7. GPMC/NOR Flash Interface Timing Requirements – Asynchronous Mode**

NO.	PARAMETER		1.15 V		1.0 V		0.9 V		UNIT
			MIN	MAX	MIN	MAX	MIN	MAX	
FA5 <sup>(1)</sup>	t <sub>acc(DAT)</sub>	Data maximum access time		H <sup>(2)</sup>		H <sup>(2)</sup>		H <sup>(2)</sup>	GPMC_FCLK cycles
FA20 <sup>(3)</sup>	t <sub>acc1-pgmode(DAT)</sub>	Page mode successive data maximum access time		P <sup>(4)</sup>		P <sup>(4)</sup>		P <sup>(4)</sup>	GPMC_FCLK cycles
FA21 <sup>(5)</sup>	t <sub>acc2-pgmode(DAT)</sub>	Page mode first data maximum access time		H <sup>(2)</sup>		H <sup>(2)</sup>		H <sup>(2)</sup>	GPMC_FCLK cycles

- (1) The FA5 parameter illustrates the amount of time required to internally sample input Data. It is expressed in number of GPMC functional clock cycles. From start of read cycle and after FA5 functional clock cycles, input Data is internally sampled by active functional clock edge. FA5 value must be stored inside the AccessTime register bit field.
- (2) H = AccessTime \* (TimeParaGranularity + 1)
- (3) The FA20 parameter illustrates amount of time required to internally sample successive input Page Data. It is expressed in number of GPMC functional clock cycles. After each access to input Page Data, next input Page Data is internally sampled by active functional clock edge after FA20 functional clock cycles. The FA20 value must be stored in the PageBurstAccessTime register bit field.
- (4) P = PageBurstAccessTime \* (TimeParaGranularity + 1)
- (5) The FA21 parameter illustrates amount of time required to internally sample first input Page Data. It is expressed in number of GPMC functional clock cycles. From start of read cycle and after FA21 functional clock cycles, First input Page Data is internally sampled by active functional clock edge. FA21 value must be stored inside the AccessTime register bit field.

**Table 6-8. GPMC/NOR Flash Interface Switching Characteristics – Asynchronous Mode**

NO.	PARAMETER		1.15 V		1.0 V		0.9 V		UNIT	
			MIN	MAX	MIN	MAX	MIN	MAX		
	t <sub>R(DO)</sub>	Rise time, output data		2.0		2.0		2.0	ns	
	t <sub>F(DO)</sub>	Fall time, output data		2.0		2.0		2.0	ns	
FA0	t <sub>W(nBEV)</sub>	Pulse duration, gpmc_nbe0_cl e, gpmc_nbe1 valid time	Read	N <sup>(12)</sup>		N <sup>(12)</sup>		N <sup>(12)</sup>	ns	
			Write	N <sup>(12)</sup>		N <sup>(12)</sup>		N <sup>(12)</sup>	ns	
FA1	t <sub>W(nCSV)</sub>	Pulse duration, gpmc_ncsx <sup>(13)</sup> v low	Read	A <sup>(1)</sup>		A <sup>(1)</sup>		A <sup>(1)</sup>	ns	
			Write	A <sup>(1)</sup>		A <sup>(1)</sup>		A <sup>(1)</sup>	ns	
FA3	t <sub>d(nCSV-nADVIV)</sub>	Delay time, gpmc_ncsx <sup>(13)</sup> valid to gpmc_nadv_al e invalid	Read	B <sup>(2)</sup> – 0.2	B <sup>(2)</sup> + 2.0	B <sup>(2)</sup> – 0.2	B <sup>(2)</sup> + 2.6	B <sup>(2)</sup> – 0.2	B <sup>(2)</sup> + 3.7	ns
			Write	B <sup>(2)</sup> – 0.2	B <sup>(2)</sup> + 2.0	B <sup>(2)</sup> – 0.2	B <sup>(2)</sup> + 2.6	B <sup>(2)</sup> – 0.2	B <sup>(2)</sup> + 3.7	ns
FA4	t <sub>d(nCSV-nOEIV)</sub>	Delay time, gpmc_ncsx <sup>(13)</sup> valid to gpmc_noe invalid (Single read)		C <sup>(3)</sup> – 0.2	C <sup>(3)</sup> + 2.0	C <sup>(3)</sup> – 0.2	C <sup>(3)</sup> + 2.6	C <sup>(3)</sup> – 0.2	C <sup>(3)</sup> + 3.7	ns

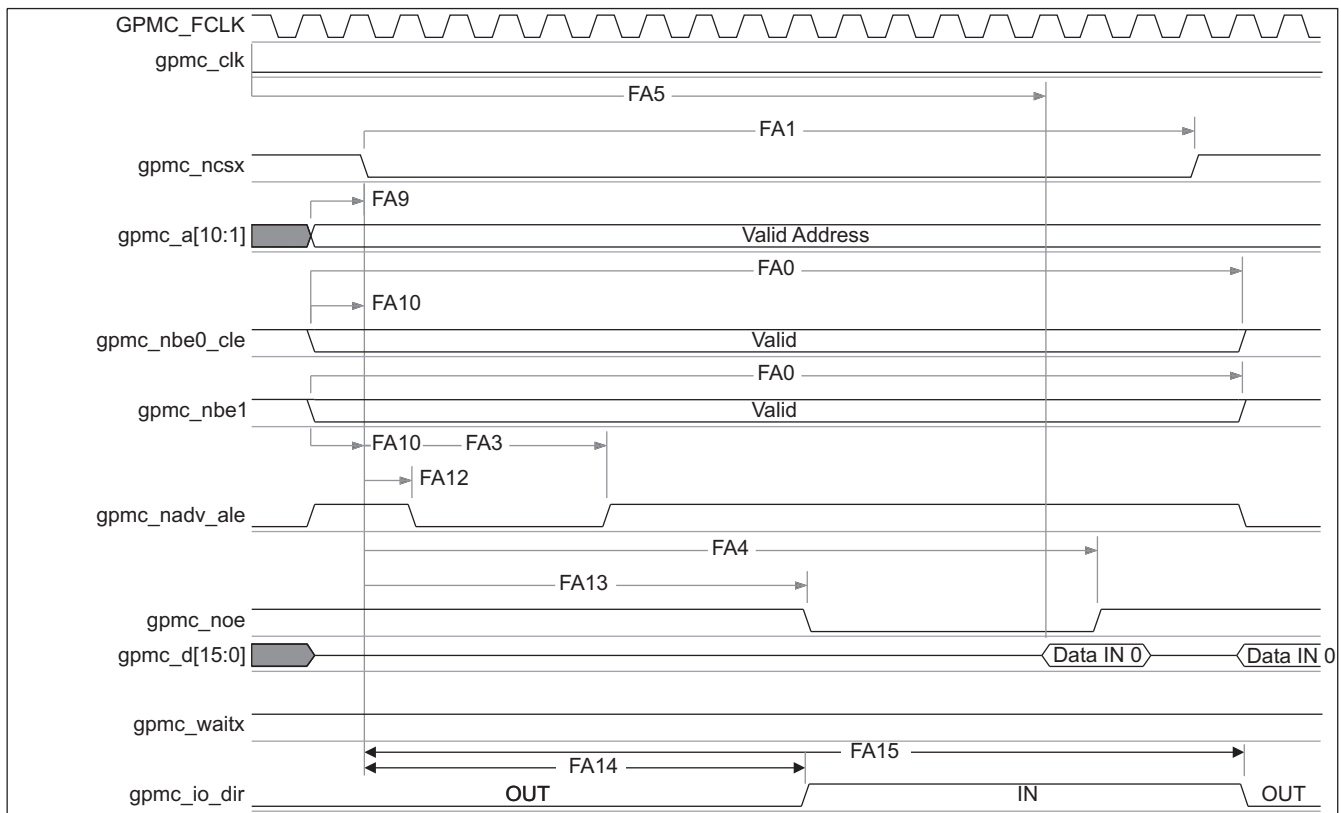
**Table 6-8. GPMC/NOR Flash Interface Switching Characteristics – Asynchronous Mode (continued)**

NO.	PARAMETER		1.15 V		1.0 V		0.9 V		UNIT
			MIN	MAX	MIN	MAX	MIN	MAX	
FA9	$t_{d(AV-nCSV)}$	Delay time, address bus valid to gpmc_ncsx <sup>(13)</sup> valid	J <sup>(9)</sup> – 0.2	J <sup>(9)</sup> + 2.0	J <sup>(9)</sup> – 0.2	J <sup>(9)</sup> + 2.6	J <sup>(9)</sup> – 0.2	J <sup>(9)</sup> + 3.7	ns
FA10	$t_{d(nBEV-nCSV)}$	Delay time, gpmc_nbe0_cle, gpmc_nbe1 valid to gpmc_ncsx <sup>(13)</sup> valid	J <sup>(9)</sup> – 0.2	J <sup>(9)</sup> + 2.0	J <sup>(9)</sup> – 0.2	J <sup>(9)</sup> + 2.6	J <sup>(9)</sup> – 0.2	J <sup>(9)</sup> + 3.7	ns
FA12	$t_{d(nCSV-nADV)}$	Delay time, gpmc_ncsx <sup>(13)</sup> valid to gpmc_nadv_ale valid	K <sup>(10)</sup> – 0.2	K <sup>(10)</sup> + 2.0	K <sup>(10)</sup> – 0.2	K <sup>(10)</sup> + 2.6	K <sup>(10)</sup> – 0.2	K <sup>(10)</sup> + 3.7	ns
FA13	$t_{d(nCSV-nOEV)}$	Delay time, gpmc_ncsx <sup>(13)</sup> valid to gpmc_noe valid	L <sup>(11)</sup> – 0.2	L <sup>(11)</sup> + 2.0	L <sup>(11)</sup> – 0.2	L <sup>(11)</sup> + 2.6	L <sup>(11)</sup> – 0.2	L <sup>(11)</sup> + 3.7	ns
FA14	$t_{d(nCSV-IODIR)}$	Delay time, gpmc_ncsx <sup>(13)</sup> valid to gpmc_io_dir high	L <sup>(11)</sup> – 0.2	L <sup>(11)</sup> + 2.0	L <sup>(11)</sup> – 0.2	L <sup>(11)</sup> + 2.6	L <sup>(11)</sup> – 0.2	L <sup>(11)</sup> + 3.7	ns
FA15	$t_{d(nCSV-IODIR)}$	Delay time, gpmc_ncsx <sup>(13)</sup> valid to gpmc_io_dir low	M <sup>(14)</sup> – 0.2	M <sup>(14)</sup> + 2.0	M <sup>(14)</sup> – 0.2	M <sup>(14)</sup> + 2.6	M <sup>(14)</sup> – 0.2	M <sup>(14)</sup> + 3.7	ns
FA16	$t_{w(AIV)}$	Address invalid duration between 2 successive R/W accesses	G <sup>(7)</sup>		G <sup>(7)</sup>		G <sup>(7)</sup>		ns
FA18	$t_{d(nCSV-nOEIV)}$	Delay time, gpmc_ncsx <sup>(13)</sup> valid to gpmc_noe invalid (Burst read)	I <sup>(8)</sup> – 0.2	I <sup>(8)</sup> + 2.0	I <sup>(8)</sup> – 0.2	I <sup>(8)</sup> + 2.6	I <sup>(8)</sup> – 0.2	I <sup>(8)</sup> + 3.7	ns
FA20	$t_{w(AV)}$	Pulse duration, address valid – 2nd, 3rd, and 4th accesses	D <sup>(4)</sup>		D <sup>(4)</sup>		D <sup>(4)</sup>		ns
FA25	$t_{d(nCSV-nWEV)}$	Delay time, gpmc_ncsx <sup>(13)</sup> valid to gpmc_nwe valid	E <sup>(5)</sup> – 0.2	E <sup>(5)</sup> + 2.0	E <sup>(5)</sup> – 0.2	E <sup>(5)</sup> + 2.6	E <sup>(5)</sup> – 0.2	E <sup>(5)</sup> + 3.7	ns
FA27	$t_{d(nCSV-nWEIV)}$	Delay time, gpmc_ncsx <sup>(13)</sup> valid to gpmc_nwe invalid	F <sup>(6)</sup> – 0.2	F <sup>(6)</sup> + 2.0	F <sup>(6)</sup> – 0.2	F <sup>(6)</sup> + 2.6	F <sup>(6)</sup> – 0.2	F <sup>(6)</sup> + 3.7	ns
FA28	$t_{d(nWEV-DV)}$	Delay time, gpmc_new valid to data bus valid		2.0		2.6		3.7	ns
FA29	$t_{d(DV-nCSV)}$	Delay time, data bus valid to gpmc_ncsx <sup>(13)</sup> valid	J <sup>(9)</sup> – 0.2	J <sup>(9)</sup> + 2.0	J <sup>(9)</sup> – 0.2	J <sup>(9)</sup> + 2.6	J <sup>(9)</sup> – 0.2	J <sup>(9)</sup> + 3.7	ns
FA37	$t_{d(nOEV-AIV)}$	Delay time, gpmc_noe valid to gpmc_a[16:1]_d[15:0] address phase end		2.0		2.6		3.7	ns

- (1) **For single read:** A = (CSRdOffTime – CSONTime) \* (TimeParaGranularity + 1) \* GPMC\_FCLK  
**For single write:** A = (CSWrOffTime – CSONTime) \* (TimeParaGranularity + 1) \* GPMC\_FCLK  
**For burst read:** A = (CSRdOffTime – CSONTime + (n – 1) \* PageBurstAccessTime) \* (TimeParaGranularity + 1) \* GPMC\_FCLK  
**For burst write:** A = (CSWrOffTime – CSONTime + (n – 1) \* PageBurstAccessTime) \* (TimeParaGranularity + 1) \* GPMC\_FCLK with n being the page burst access number
- (2) **For reading:** B = ((ADVRdOffTime – CSONTime) \* (TimeParaGranularity + 1) + 0.5 \* (ADVExtraDelay – CSEExtraDelay)) \* GPMC\_FCLK  
**For writing:** B = ((ADVWrOffTime – CSONTime) \* (TimeParaGranularity + 1) + 0.5 \* (ADVExtraDelay – CSEExtraDelay)) \* GPMC\_FCLK
- (3) C = ((OEOffTime – CSONTime) \* (TimeParaGranularity + 1) + 0.5 \* (OEEExtraDelay – CSEExtraDelay)) \* GPMC\_FCLK
- (4) D = PageBurstAccessTime \* (TimeParaGranularity + 1) \* GPMC\_FCLK
- (5) E = ((WEOnTime – CSONTime) \* (TimeParaGranularity + 1) + 0.5 \* (WEEExtraDelay – CSEExtraDelay)) \* GPMC\_FCLK
- (6) F = ((WEOffTime – CSONTime) \* (TimeParaGranularity + 1) + 0.5 \* (WEEExtraDelay – CSEExtraDelay)) \* GPMC\_FCLK
- (7) G = Cycle2CycleDelay \* GPMC\_FCLK
- (8) I = ((OEOffTime + (n – 1) \* PageBurstAccessTime – CSONTime) \* (TimeParaGranularity + 1) + 0.5 \* (OEEExtraDelay – CSEExtraDelay)) \* GPMC\_FCLK

- (9)  $J = (CSONTime * (TimeParaGranularity + 1) + 0.5 * CSEExtraDelay) * GPMC\_FCLK$
- (10)  $K = ((ADVOnTime - CSONTime) * (TimeParaGranularity + 1) + 0.5 * (ADVExtraDelay - CSEExtraDelay)) * GPMC\_FCLK$
- (11)  $L = ((OEOnTime - CSONTime) * (TimeParaGranularity + 1) + 0.5 * (OEEExtraDelay - CSEExtraDelay)) * GPMC\_FCLK$
- (12) **For single read:**  $N = RdCycleTime * (TimeParaGranularity + 1) * GPMC\_FCLK$   
**For single write:**  $N = WrCycleTime * (TimeParaGranularity + 1) * GPMC\_FCLK$   
**For burst read:**  $N = (RdCycleTime + (n - 1) * PageBurstAccessTime) * (TimeParaGranularity + 1) * GPMC\_FCLK$   
**For burst write:**  $N = (WrCycleTime + (n - 1) * PageBurstAccessTime) * (TimeParaGranularity + 1) * GPMC\_FCLK$
- (13) In  $gpmc\_ncsx$ , x is equal to 0, 1, 2, 3, 4, 5, 6, or 7.
- (14)  $M = ((RdCycleTime - CSONTime) * (TimeParaGranularity + 1) - 0.5 * CSEExtraDelay) * GPMC\_FCLK$   
 Above M parameter expression is given as one example of GPMC programming. IO DIR signal will go from IN to OUT after both RdCycleTime and BusTurnAround completion. Behavior of IO direction signal does depend on kind of successive Read/Write accesses performed to Memory and multiplexed or non-multiplexed memory addressing scheme, bus keeping feature enabled or not. IO DIR behavior is automatically handled by GPMC controller. For a full description of the  $gpmc\_io\_dir$  feature, see the *OMAP35x Technical Reference Manual (TRM)* [literature number [SPRU98](#)].

PRODUCT PREVIEW

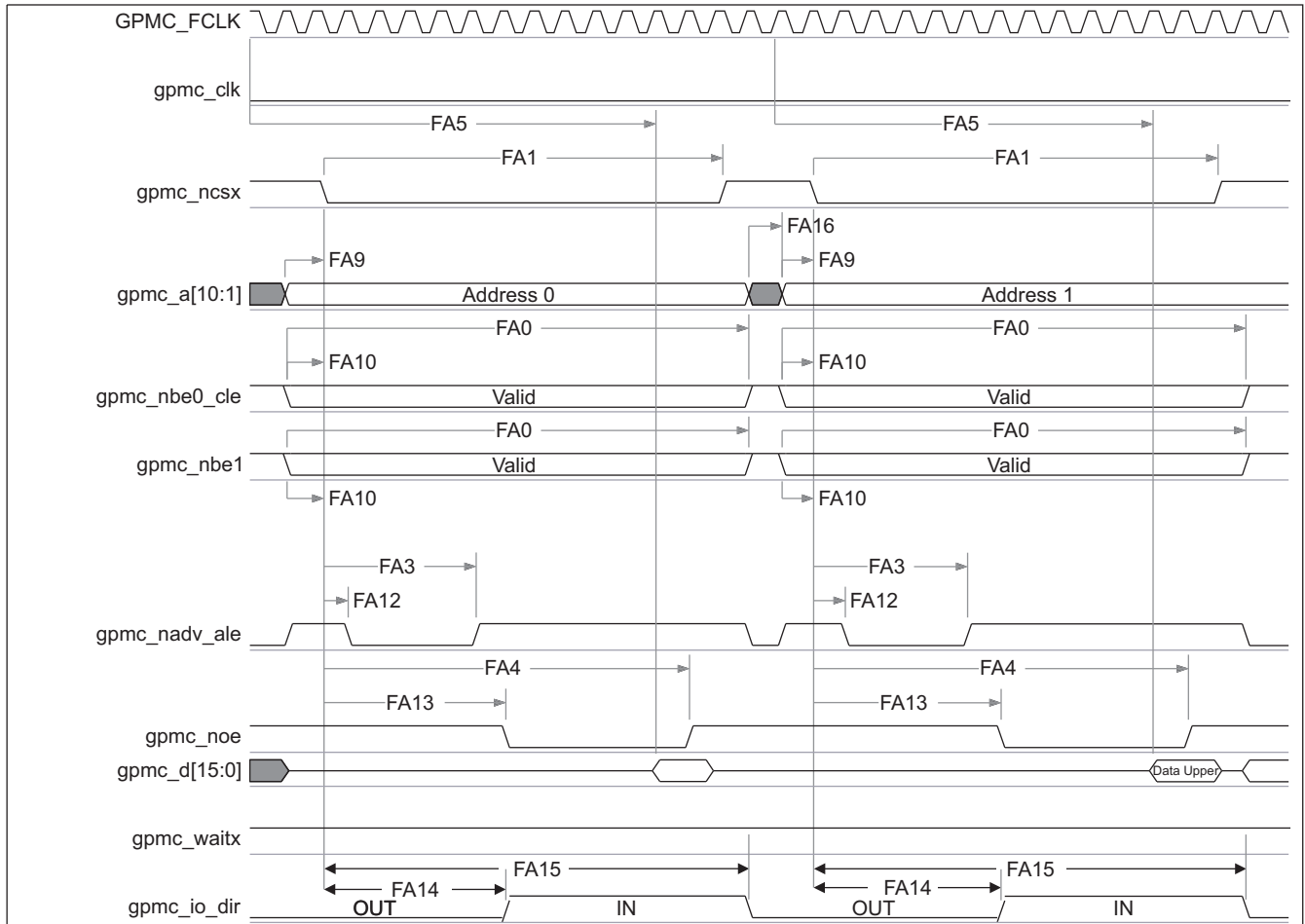


030-026

**Figure 6-7. GPMC/NOR Flash – Asynchronous Read – Single Word Timing<sup>(1)(2)(3)</sup>**

- (1) In  $gpmc\_ncsx$ , x is equal to 0, 1, 2, 3, 4, 5, 6, or 7. In  $gpmc\_waitx$ , x is equal to 0, 1, 2, or 3.
- (2) FA5 parameter illustrates amount of time required to internally sample input data. It is expressed in number of GPMC functional clock cycles. From start of read cycle and after FA5 functional clock cycles, input data is internally sampled by active functional clock edge. FA5 value must be stored inside AccessTime register bit field.
- (3) GPMC\_FCLK is an internal clock (GPMC functional clock) not provided externally.



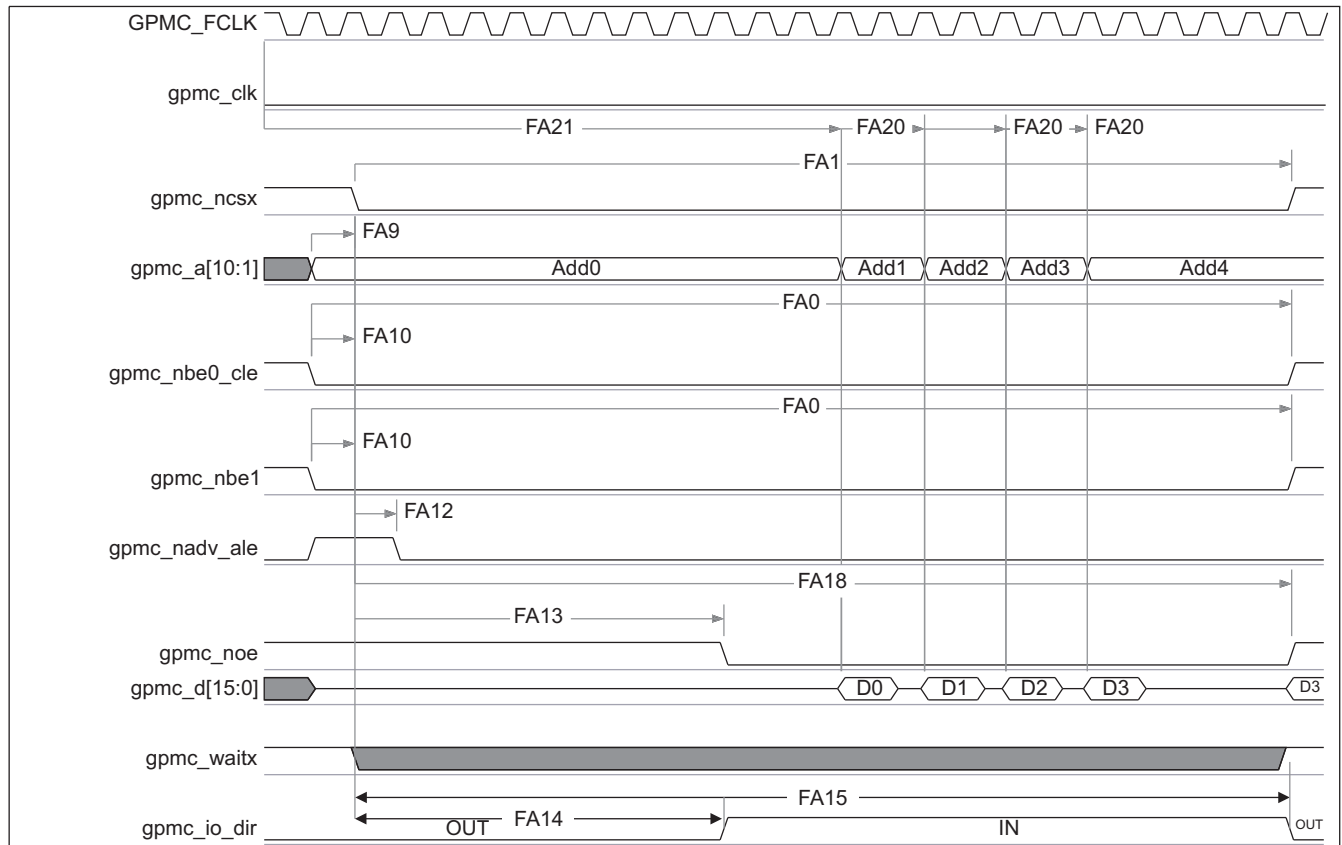


030-027

**Figure 6-8. GPMC/NOR Flash – Asynchronous Read – 32-bit Timing<sup>(1)(2)(3)</sup>**

- (1) In gpmc\_ncsx, x is equal to 0, 1, 2, 3, 4, 5, 6, or 7. In gpmc\_waitx, x is equal to 0, 1, 2, or 3.
- (2) FA5 parameter illustrates amount of time required to internally sample input data. It is expressed in number of GPMC functional clock cycles. From start of read cycle and after FA5 functional clock cycles, input data is internally sampled by active functional clock edge. FA5 value must be stored inside AccessTime register bit field.
- (3) GPMC\_FCLK is an internal clock (GPMC functional clock) not provided externally.

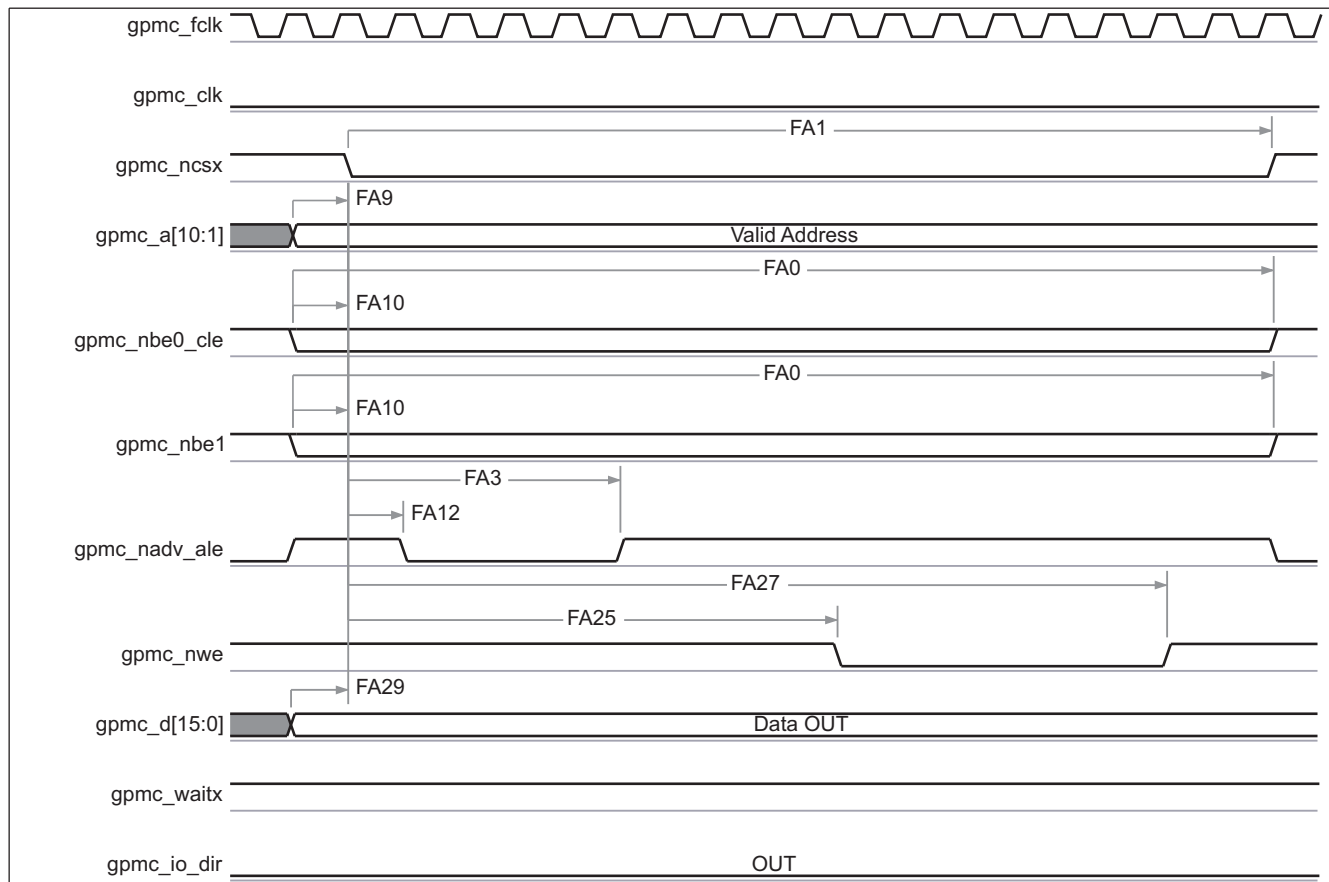
PRODUCT PREVIEW



030-028

**Figure 6-9. GPMC/NOR Flash – Asynchronous Read – Page Mode 4x16-bit Timing<sup>(1)(2)(3)(4)</sup>**

- (1) In gpmc\_ncsx, x is equal to 0, 1, 2, 3, 4, 5, 6, or 7. In gpmc\_waitx, x is equal to 0, 1, 2, or 3.
- (2) FA21 parameter illustrates amount of time required to internally sample first input page data. It is expressed in number of GPMC functional clock cycles. From start of read cycle and after FA21 functional clock cycles, first input page data is internally sampled by active functional clock edge. FA21 value must be stored inside AccessTime register bit field.
- (3) FA20 parameter illustrates amount of time required to internally sample successive input page data. It is expressed in number of GPMC functional clock cycles. After each access to input page data, next input page data is internally sampled by active functional clock edge after FA20 functional clock cycles. FA20 is also the duration of address phases for successive input page data (excluding first input page data). FA20 value must be stored in PageBurstAccessTime register bit field.
- (4) GPMC\_FCLK is an internal clock (GPMC functional clock) not provided externally.

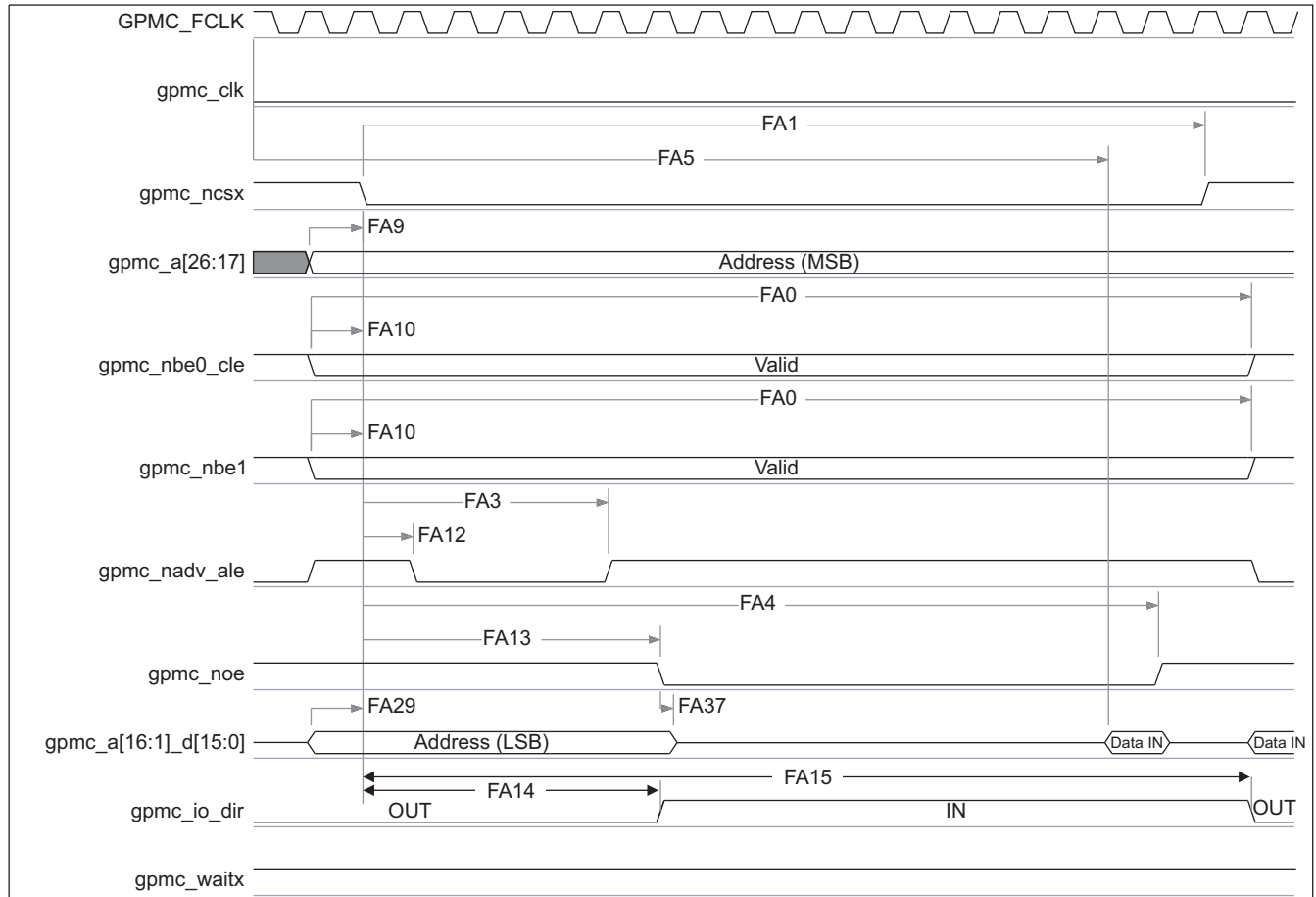


030-029

In gpmc\_ncsx, x is equal to 0, 1, 2, 3, 4, 5, 6, or 7. In gpmc\_waitx, x is equal to 0, 1, 2, or 3.

**Figure 6-10. GPMC/NOR Flash – Asynchronous Write – Single Word Timing**

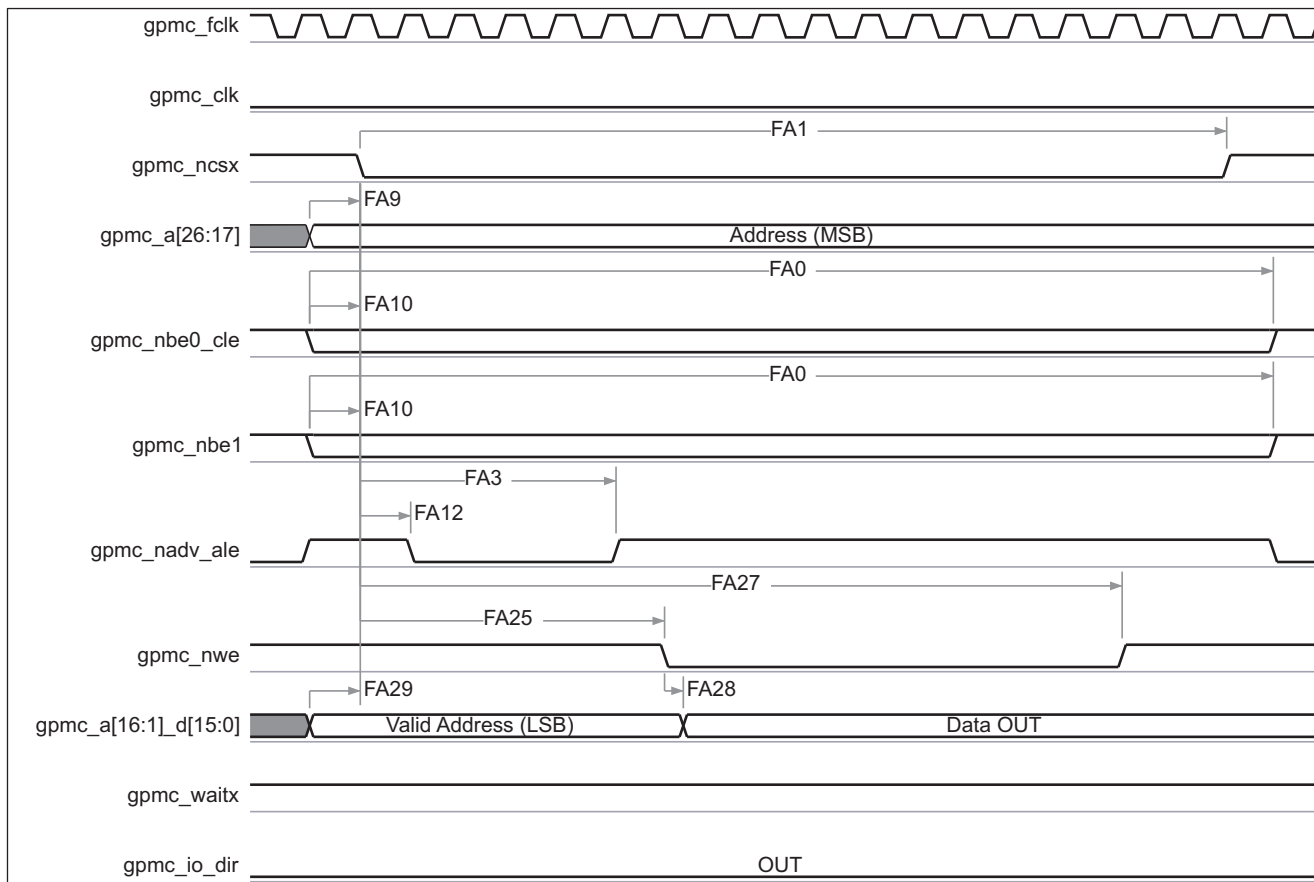
PRODUCT PREVIEW



030-030

**Figure 6-11. GPMC/Multiplexed NOR Flash – Asynchronous Read – Single Word Timing<sup>(1)(2)(3)</sup>**

- (1) In gpmc\_ncsx, x is equal to 0, 1, 2, 3, 4, 5, 6, or 7. In gpmc\_waitx, x is equal to 0, 1, 2, or 3.
- (2) FA5 parameter illustrates amount of time required to internally sample input data. It is expressed in number of GPMC functional clock cycles. From start of read cycle and after FA5 functional clock cycles, input data is internally sampled by active functional clock edge. FA5 value must be stored inside AccessTime register bit field.
- (3) GPMC\_FCLK is an internal clock (GPMC functional clock) not provided externally.



030-031

In gpmc\_ncsx, x is equal to 0, 1, 2, 3, 4, 5, 6, or 7. In gpmc\_waitx, x is equal to 0, 1, 2, or 3.

**Figure 6-12. GPMC/Multiplexed NOR Flash – Asynchronous Write – Single Word Timing**

**6.4.1.3 GPMC/NAND Flash Interface Timing**

Table 6-10 through Table 6-12 assume testing over the recommended operating conditions (see Figure 6-13 through Figure 6-16) and electrical characteristic conditions.

**Table 6-9. GPMC/NAND Flash Asynchronous Mode Timing Conditions**

TIMING CONDITION PARAMETER		VALUE	UNIT
<b>Input Conditions</b>			
t <sub>R</sub>	Input signal rise time	1.8	ns
t <sub>F</sub>	Input signal fall time	1.8	ns
<b>Output Conditions</b>			
C <sub>LOAD</sub>	Output load capacitance	15.94	pF

**Table 6-10. GPMC/NAND Flash Interface Asynchronous Timing – Internal Parameters<sup>(1)(2)</sup>**

NO.	PARAMETER	1.15 V		1.0 V		0.9 V		UNIT
		MIN	MAX	MIN	MAX	MIN	MAX	
GNFI1	Maximum output data generation delay from internal functional clock		6.5		9.1		13.7	ns
GNFI2	Maximum input data capture delay by internal functional clock		4		5.6		8.1	ns

(1) Internal parameters table must be used to calculate data access time stored in the corresponding CS register bit field.

(2) Internal parameters are referred to the GPMC functional internal clock which is not provided externally.

**Table 6-10. GPMC/NAND Flash Interface Asynchronous Timing – Internal Parameters (continued)**

NO.	PARAMETER	1.15 V		1.0 V		0.9 V		UNIT
		MIN	MAX	MIN	MAX	MIN	MAX	
GNF13	Maximum device select generation delay from internal functional clock		6.5		9.1		13.7	ns
GNF14	Maximum address latch enable generation delay from internal functional clock		6.5		9.1		13.7	ns
GNF15	Maximum command latch enable generation delay from internal functional clock		6.5		9.1		13.7	ns
GNF16	Maximum output enable generation delay from internal functional clock		6.5		9.1		13.7	ns
GNF17	Maximum write enable generation delay from internal functional clock		6.5		9.1		13.7	ns
GNF18	Maximum functional clock skew		100		170		200	ps

**Table 6-11. GPMC/NAND Flash Interface Timing Requirements**

NO.	PARAMETER		1.15 V		1.0 V		0.9 V		UNIT
			MIN	MAX	MIN	MAX	MIN	MAX	
GNF12 <sup>(1)</sup>	t <sub>acc(DAT)</sub>	Data maximum access time		J <sup>(2)</sup>		J <sup>(2)</sup>		J <sup>(2)</sup>	GPMC_FCLK cycles

(1) The GNF12 parameter illustrates the amount of time required to internally sample input data. It is expressed in number of GPMC functional clock cycles. From start of the read cycle and after GNF12 functional clock cycles, input data is internally sampled by the active functional clock edge. The GNF12 value must be stored inside AccessTime register bit field.

(2) J = AccessTime \* (TimeParaGranularity + 1)

**Table 6-12. GPMC/NAND Flash Interface Switching Characteristics**

NO.	PARAMETER		1.15 V		1.0 V		0.9 V		UNIT
			MIN	MAX	MIN	MAX	MIN	MAX	
	t <sub>R(DO)</sub>	Rise time, output data		2.0		2.0		2.0	ns
	t <sub>F(DO)</sub>	Fall time, output data		2.0		2.0		2.0	ns
GNF0	t <sub>w(nWEV)</sub>	Pulse duration, gpmc_nwe valid time	A <sup>(1)</sup>		A <sup>(1)</sup>		A <sup>(1)</sup>		ns
GNF1	t <sub>d(nCSV-nWEV)</sub>	Delay time, gpmc_ncsx <sup>(13)</sup> valid to gpmc_nwe valid	B <sup>(2)</sup> – 0.2	B <sup>(2)</sup> + 2.0	B <sup>(2)</sup> – 0.2	B <sup>(2)</sup> + 2.6	B <sup>(2)</sup> – 0.2	B <sup>(2)</sup> + 3.7	ns
GNF2	t <sub>w(CLEH-nWEV)</sub>	Delay time, gpmc_nbe0_cle high to gpmc_nwe valid	C <sup>(3)</sup> – 0.2	C <sup>(3)</sup> + 2.0	C <sup>(3)</sup> – 0.2	C <sup>(3)</sup> + 2.6	C <sup>(3)</sup> – 0.2	C <sup>(3)</sup> + 3.7	ns
GNF3	t <sub>w(nWEV-DV)</sub>	Delay time, gpmc_d[15:0] valid to gpmc_nwe valid	D <sup>(4)</sup> – 0.2	D <sup>(4)</sup> + 2.0	D <sup>(4)</sup> – 0.2	D <sup>(4)</sup> + 2.6	D <sup>(4)</sup> – 0.2	D <sup>(4)</sup> + 3.7	ns
GNF4	t <sub>w(nWEIV-DIV)</sub>	Delay time, gpmc_nwe invalid to gpmc_d[15:0] invalid	E <sup>(5)</sup> – 0.2	E <sup>(5)</sup> + 2.0	E <sup>(5)</sup> – 0.2	E <sup>(5)</sup> + 2.6	E <sup>(5)</sup> – 0.2	E <sup>(5)</sup> + 3.7	ns
GNF5	t <sub>w(nWEIV-CLEIV)</sub>	Delay time, gpmc_nwe invalid to gpmc_nbe0_cle invalid	F <sup>(6)</sup> – 0.2	F <sup>(6)</sup> + 2.0	F <sup>(6)</sup> – 0.2	F <sup>(6)</sup> + 2.6	F <sup>(6)</sup> – 0.2	F <sup>(6)</sup> + 3.7	ns

**Table 6-12. GPMC/NAND Flash Interface Switching Characteristics (continued)**

NO.	PARAMETER		1.15 V		1.0 V		0.9 V		UNIT
			MIN	MAX	MIN	MAX	MIN	MAX	
GNF6	$t_{w(nWEIV-nCSIV)}$	Delay time, gpmc_nwe invalid to gpmc_ncsx <sup>(13)</sup> invalid	$G^{(7)} - 0.2$	$G^{(7)} + 2.0$	$G^{(7)} - 0.2$	$G^{(7)} + 2.6$	$G^{(7)} - 0.2$	$G^{(7)} + 3.7$	ns
GNF7	$t_{w(ALEH-nWEV)}$	Delay time, gpmc_nadv_ale High to gpmc_nwe valid	$C^{(3)} - 0.2$	$C^{(3)} + 2.0$	$C^{(3)} - 0.2$	$C^{(3)} + 2.6$	$C^{(3)} - 0.2$	$C^{(3)} + 3.7$	ns
GNF8	$t_{w(nWEIV-ALEIV)}$	Delay time, gpmc_nwe invalid to gpmc_nadv_ale invalid	$F^{(6)} - 0.2$	$F^{(6)} + 2.0$	$F^{(6)} - 0.2$	$F^{(6)} + 2.6$	$F^{(6)} - 0.2$	$F^{(6)} + 3.7$	ns
GNF9	$t_{c(nWE)}$	Cycle time, Write cycle time	$H^{(8)}$		$H^{(8)}$		$H^{(8)}$		ns
GNF10	$t_{d(nCSV-nOEV)}$	Delay time, gpmc_ncsx <sup>(13)</sup> valid to gpmc_noe valid	$I^{(9)} - 0.2$	$I^{(9)} + 2.0$	$I^{(9)} - 0.2$	$I^{(9)} + 2.6$	$I^{(9)} - 0.2$	$I^{(9)} + 3.7$	ns
GNF13	$t_{w(nOEV)}$	Pulse duration, gpmc_noe valid time	$K^{(10)}$		$K^{(10)}$		$K^{(10)}$		ns
GNF14	$t_{c(nOE)}$	Cycle time, Read cycle time	$L^{(11)}$		$L^{(11)}$		$L^{(11)}$		ns
GNF15	$t_{w(nOEIV-nCSIV)}$	Delay time, gpmc_noe invalid to gpmc_ncsx <sup>(13)</sup> invalid	$M^{(12)} - 0.2$	$M^{(12)} + 2.0$	$M^{(12)} - 0.2$	$M^{(12)} + 2.6$	$M^{(12)} - 0.2$	$M^{(12)} + 3.7$	ns

(1)  $A = (WEOffTime - WEOnTime) * (TimeParaGranularity + 1) * GPMC\_FCLK$

(2)  $B = ((WEOnTime - CSONTime) * (TimeParaGranularity + 1) + 0.5 * (WEEExtraDelay - CSEExtraDelay)) * GPMC\_FCLK$

(3)  $C = ((WEOnTime - ADVOnTime) * (TimeParaGranularity + 1) + 0.5 * (WEEExtraDelay - ADVExtraDelay)) * GPMC\_FCLK$

(4)  $D = (WEOnTime * (TimeParaGranularity + 1) + 0.5 * WEEExtraDelay) * GPMC\_FCLK$

(5)  $E = (WrCycleTime - WEOffTime * (TimeParaGranularity + 1) - 0.5 * WEEExtraDelay) * GPMC\_FCLK$

(6)  $F = (ADVWrOffTime - WEOffTime * (TimeParaGranularity + 1) + 0.5 * (ADVExtraDelay - WEEExtraDelay)) * GPMC\_FCLK$

(7)  $G = (CSWrOffTime - WEOffTime * (TimeParaGranularity + 1) + 0.5 * (CSEExtraDelay - WEEExtraDelay)) * GPMC\_FCLK$

(8)  $H = WrCycleTime * (1 + TimeParaGranularity) * GPMC\_FCLK$

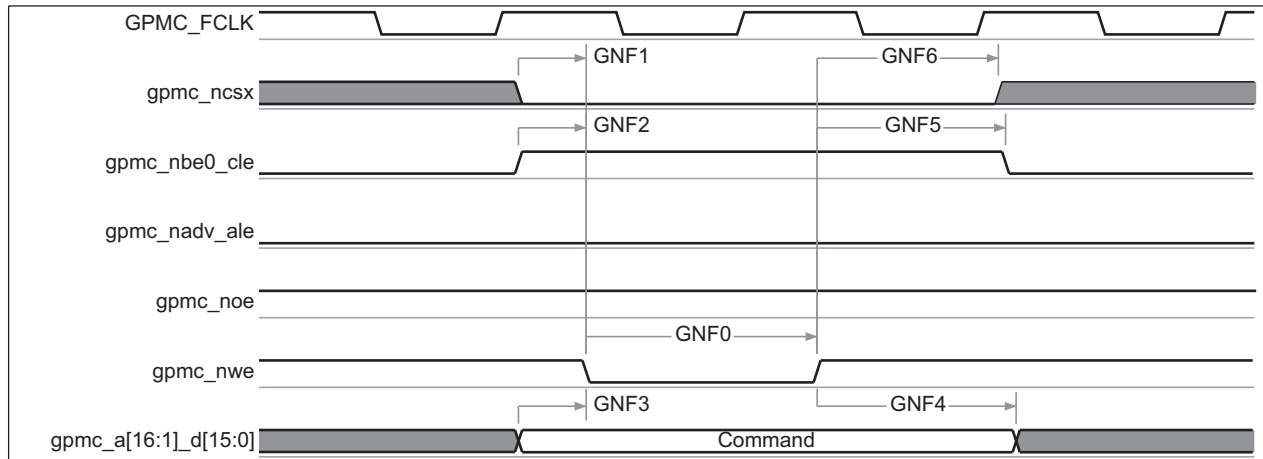
(9)  $I = ((OEOnTime - CSONTime) * (TimeParaGranularity + 1) + 0.5 * (OEEExtraDelay - CSEExtraDelay)) * GPMC\_FCLK$

(10)  $K = (OEOffTime - OEOnTime) * (1 + TimeParaGranularity) * GPMC\_FCLK$

(11)  $L = RdCycleTime * (1 + TimeParaGranularity) * GPMC\_FCLK$

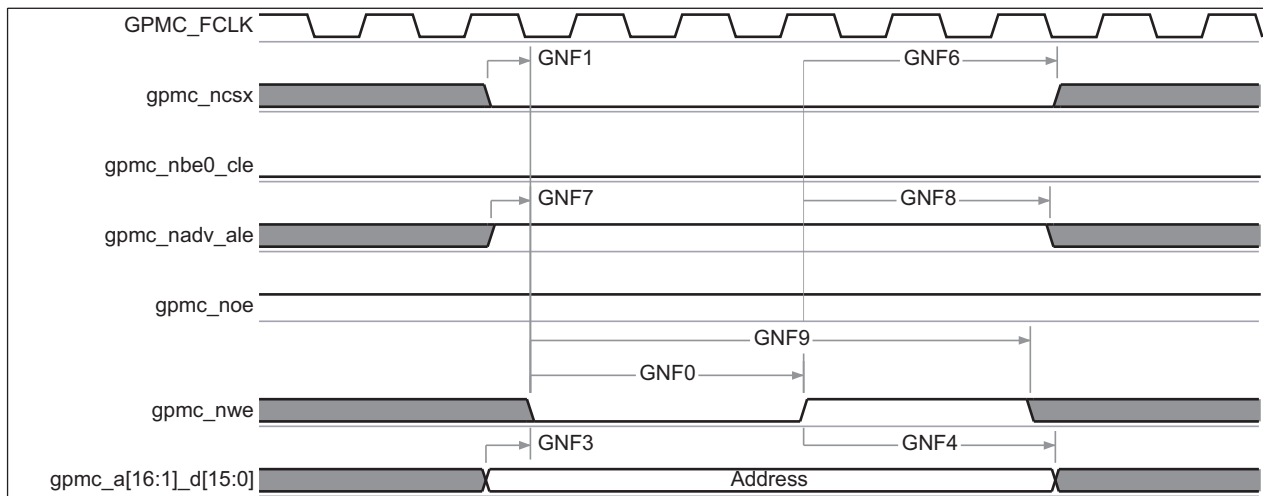
(12)  $M = (CSRdOffTime - OEOffTime * (TimeParaGranularity + 1) + 0.5 * (CSEExtraDelay - OEEExtraDelay)) * GPMC\_FCLK$

(13) In gpmc\_ncsx, x is equal to 0, 1, 2, 3, 4, 5, 6, or 7.



In gpmc\_ncsx, x is equal to 0, 1, 2, 3, 4, 5, 6, or 7.

**Figure 6-13. GPMC/NAND Flash – Command Latch Cycle Timing**

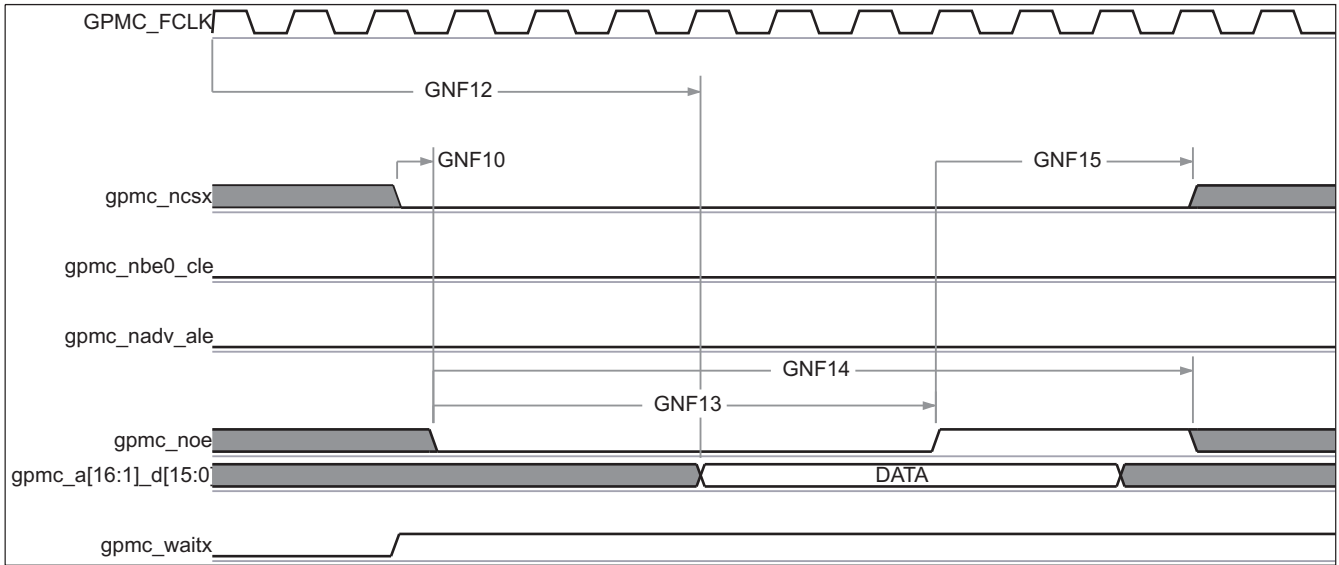


In gpmc\_ncsx, x is equal to 0, 1, 2, 3, 4, 5, 6, or 7.

**Figure 6-14. GPMC/NAND Flash – Address Latch Cycle Timing**

PRODUCT PREVIEW

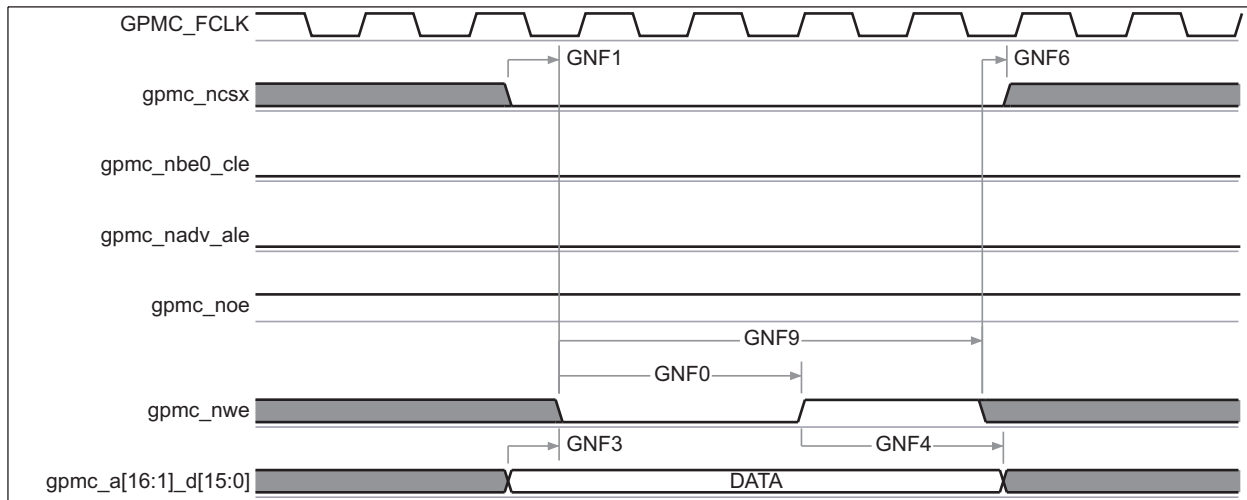




030-034

Figure 6-15. GPMC/NAND Flash – Data Read Cycle Timing<sup>(1)(2)(3)</sup>

- (1) The GNF12 parameter illustrates amount of time required to internally sample input data. It is expressed in number of GPMC functional clock cycles. From start of read cycle and after GNF12 functional clock cycles, input data is internally sampled by active functional clock edge. The GNF12 value must be stored inside AccessTime register bit field.
- (2) GPMC\_FCLK is an internal clock (GPMC functional clock) not provided externally.
- (3) In gpmc\_ncsx, x is equal to 0, 1, 2, 3, 4, 5, 6, or 7. In gpmc\_waitx, x is equal to 0, 1, 2, or 3.



030-035

In gpmc\_ncsx, x is equal to 0, 1, 2, 3, 4, 5, 6, or 7. In gpmc\_waitx, x is equal to 0 or 1.

Figure 6-16. GPMC/NAND Flash – Data Write Cycle Timing

## 6.4.2 SDRAM Controller Subsystem (SDRC)

The SDRAM controller subsystem (SDRC) module provides connectivity between the OMAP3530/2530/2530/2530/25 Applications Processor and external DRAM memory components. The SDRC module only supports low-power double-data-rate (LPDDR) SDRAM devices. Memory devices can be interfaced to the SDRC using a stacked-memory approach or through the printed circuit board (PCB). The stacked-memory approach uses the package-on-package memory interface pins (available only on CBB package).

### 6.4.2.1 SDRAM Controller Subsystem Device-Specific Information

The approach to specifying interface timing for the SDRC memory bus is different than on other interfaces such as the general-purpose memory controller (GPMC) and the multi-channel buffered serial ports (McBSPs). For these other interfaces the device timing was specified in terms of data manual specifications and I/O buffer information specification (IBIS) models.

For the SDRC memory bus, the approach is to specify compatible memory devices and provide the printed circuit board (PCB) solution and guidelines directly to the user. Texas Instruments (TI) has performed the simulation and system characterization to ensure all interface timings in this solution are met.

### 6.4.2.2 LPDDR Interface

The LPDDR interface is balled out on the bottom side of all OMAP35x packages and on the top side of OMAP35x POP packages. The LPDDR interface on the top of the POP package has been designed for compatibility any POP LPDDR device with a matching footprint and compliance with the JEDEC LPDDR-266 specification.

This section provides the timing specification for the bottom-side LPDDR interface as a PCB design and manufacturing specification. The design rules constrain PCB trace length, PCB trace skew, signal integrity, cross-talk, and signal timing. These rules, when followed, result in a reliable LPDDR memory system without the need for a complex timing closure process. For more information regarding guidelines for using this LPDDR specification, see the *Understanding TI's PCB Routing Rule-Based DDR Timing Specification* Application Report (literature number [SPRAAV0](#)).

#### 6.4.2.2.1 LPDDR Interface Schematic

[Figure 6-17](#) and [Figure 6-18](#) show the LPDDR interface schematics for a LPDDR memory system. The 1 x16 LPDDR system schematic is identical to [Figure 6-17](#) except that the high word LPDDR device is deleted.

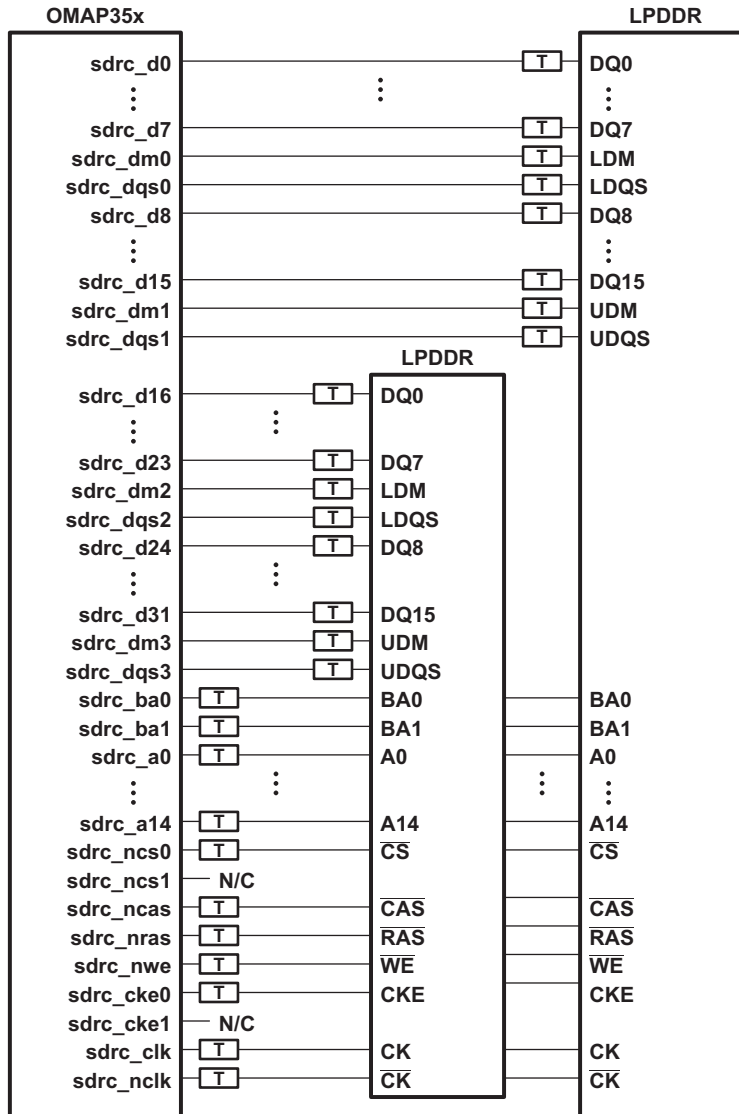


Figure 6-17. OMAP35x LPDDR High Level Schematic (x16 memories)

PRODUCT PREVIEW

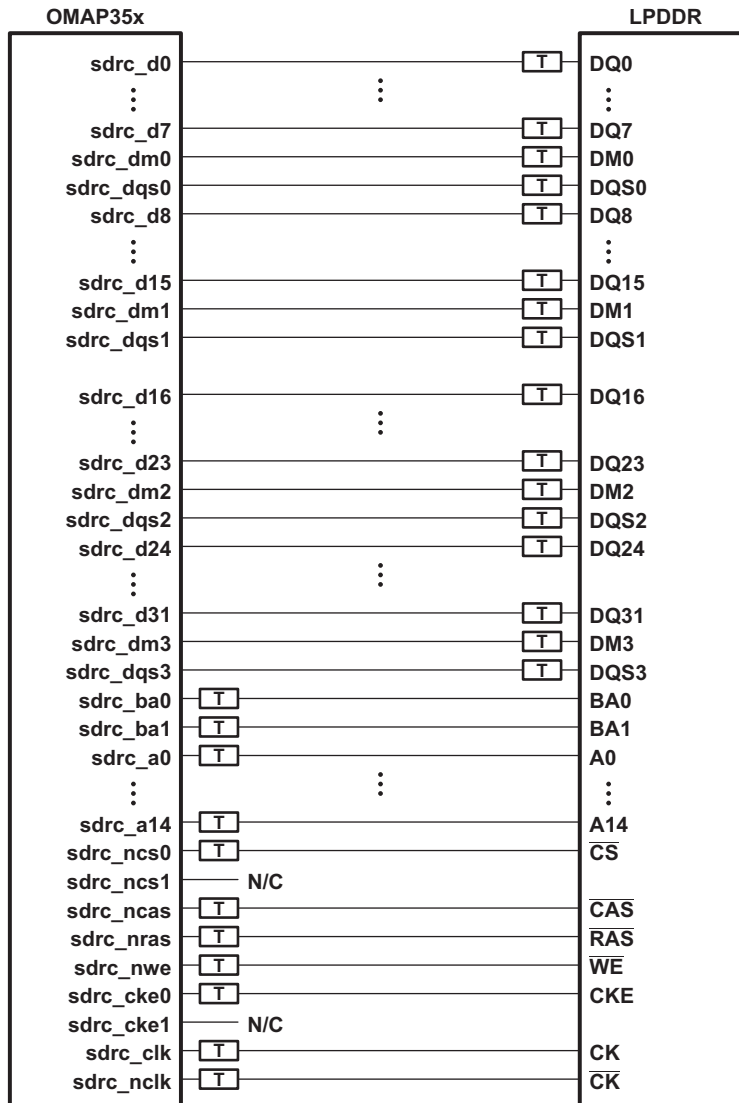


Figure 6-18. OMAP35x LPDDR High Level Schematic (x32 memory)

6.4.2.2.2 Compatible JEDEC LPDDR Devices

Table 6-13 shows the parameters of the JEDEC LPDDR devices that are compatible with this interface. Generally, the LPDDR interface is compatible with x16 and x32 LPDDR266 and LPDDR333 speed grade LPDDR devices.

Table 6-13. Compatible JEDEC LPDDR Devices

NO.	PARAMETER	MIN	MAX	UNIT	NOTES
1	JEDEC LPDDR Device Speed Grade	LPDDR-266			See Note (1)
2	JEDEC LPDDR Device Bit Width	16	32	Bits	
3	JEDEC LPDDR Device Count	1	2	Devices	See Note (2)
4	JEDEC LPDDR Device Ball Count	60	90	Balls	

(1) Higher LPDDR speed grades are supported due to inherent JEDEC LPDDR backwards compatibility.

(2) 1 x16 LPDDR device is used for 16 bit LPDDR memory system. 1x32 or 2x16 LPDDR devices are used for a 32-bit LPDDR memory system.

### 6.4.2.2.3 PCB Stackup

The minimum stackup required for routing the OMAP35x is a six layer stack as shown in [Table 6-14](#). Additional layers may be added to the PCB stack up to accommodate other circuitry or to reduce the size of the PCB footprint.

**Table 6-14. OMAP35x Minimum PCB Stack Up**

LAYER	TYPE	DESCRIPTION
1	Signal	Top Routing Mostly Horizontal
2	Plane	Ground
3	Plane	Power
4	Signal	Internal Routing
5	Plane	Ground
6	Signal	Bottom Routing Mostly Vertical

**Table 6-15. PCB Stack Up Specifications**

NO.	PARAMETER	MIN	TYP	MAX	UNIT	NOTES
1	PCB Routing/Plane Layers	6				
2	Signal Routing Layers	3				
3	Full ground layers under LPDDR routing region	2				
4	Number of ground plane cuts allowed within LPDDR routing region			0		
5	Number of ground reference planes required for each LPDDR routing 1 layer	1				
6	Number of layers between LPDDR routing layer and reference ground 0 plane			0		
7	PCB Routing Feature Size		4		Mils	
8	PCB Trace Width w		4		Mils	
9	PCB BGA escape via pad size		18		Mils	
10	PCB BGA escape via hole size		8		Mils	
11	Device BGA Pad Size					See Note <sup>(1)</sup>
12	LPDDR Device BGA Pad Size					See Note <sup>(2)</sup>
13	Single Ended Impedance, ZO	50		75	Ω	
14	Impedance Control	Z-5	Z	Z + 5	Ω	See Note <sup>(3)</sup>

(1) Please see the *Flip Chip Ball Grid Array Package Reference Guide* (literature number [SPRU811](#)) for device BGA pad size.

(2) Please see the LPDDR device manufacturer documentation for the LPDDR device BGA pad size.

(3) Z is the nominal singled ended impedance selected for the PCB specified by item 12.

### 6.4.2.3 Placement

[Figure 6-19](#) shows the required placement for the OMAP35x device as well as the LPDDR devices. The dimensions for [Figure 6-19](#) are defined in [Table 6-16](#). The placement does not restrict the side of the PCB that the devices are mounted on. The ultimate purpose of the placement is to limit the maximum trace lengths and allow for proper routing space. For 1x16 and 1x32 LPDDR memory systems, the second LPDDR device is omitted from the placement.

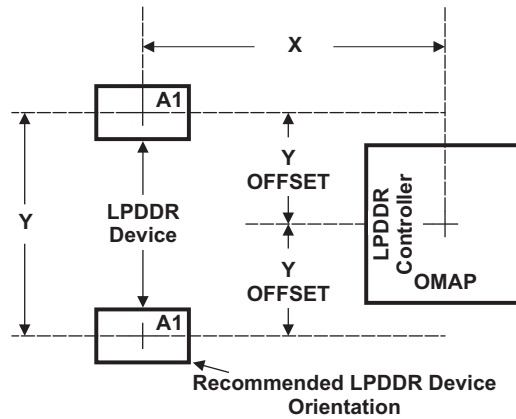


Figure 6-19. OMAP35x and LPDDR Device Placement

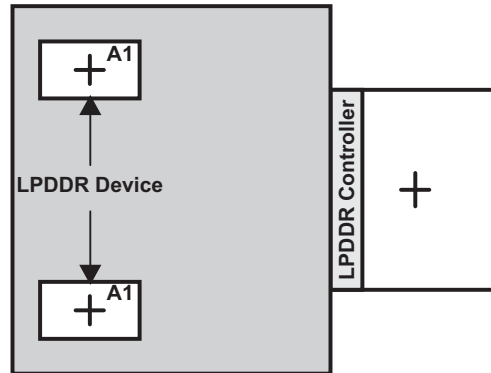
Table 6-16. Placement Specifications

NO.	PARAMETER	MIN	MAX	UNIT	NOTES
1	X		1440	Mils	See Notes <sup>(1)</sup> , <sup>(2)</sup>
2	Y		1030	Mils	See Notes <sup>(1)</sup> , <sup>(2)</sup>
3	Y Offset		525	Mils	See Notes <sup>(1)</sup> , <sup>(2)</sup> , <sup>(3)</sup>
4	LPDDR Keepout Region				See Note <sup>(4)</sup>
5	Clearance from non-LPDDR signal to LPDDR Keepout Region	4		w	See Note <sup>(5)</sup>

- (1) See Figure 6-17 for dimension definitions.
- (2) Measurements from center of device to center of LPDDR device.
- (3) For 16 bit memory systems it is recommended that Y Offset be as small as possible.
- (4) LPDDR keepout region to encompass entire LPDDR routing area.
- (5) Non-LPDDR signals allowed within LPDDR keepout region provided they are separated from LPDDR routing layers by a ground plane.

#### 6.4.2.4 LPDDR Keep Out Region

The region of the PCB used for the LPDDR circuitry must be isolated from other signals. The LPDDR keep out region is defined for this purpose and is shown in Figure 6-20. The size of this region varies with the placement and LPDDR routing. Additional clearances required for the keep out region are shown in Table 6-16.



Region should encompass all LPDDR circuitry and varies depending on placement. Non-LPDDR signals should not be routed on the LPDDR signal layers within the LPDDR keep out region. Non-LPDDR signals may be routed in the region provided they are routed on layers separated from LPDDR signal layers by a ground layer. No breaks should be allowed in the reference ground layers in this region. In addition, the 1.8 V power plane should cover the entire keep out region.

Figure 6-20. LPDDR Keepout Region

6.4.2.5 Net Classes

Table 6-17 lists the clock net classes for the LPDDR interface. Table 6-18 lists the signal net classes, and associated clock net classes, for the signals in the LPDDR interface. These net classes are used for the termination and routing rules that follow.

Table 6-17. Clock Net Class Definitions

CLOCK NET CLASS	OMAP PIN NAMES
CK	sdrc_clk/sdrc_nclk
DQS0	sdrc_dqs0
DQS1	sdrc_dqs1
DQS2	sdrc_dqs2
DQS3	sdrc_dqs3

Table 6-18. Signal Net Class Definitions

CLOCK NET CLASS	ASSOCIATED CLOCK NET CLASS	OMAP PIN NAMES
ADDR_CTRL	CK	sdrc_ba, sdrc_a, sdrc_ncs0, sdrc_ncas, sdrc_nras, sdrc_nwe, sdrc_cke0
DQ0	DQS0	sdrc_d, sdrc_dm0
DQ1	DQS1	sdrc_d, sdrc_dm1
DQ2	DQS2	sdrc_d, sdrc_dm2
DQ3	DQS3	sdrc_d, sdrc_dm3

6.4.2.6 LPDDR Signal Termination

No terminations of any kind are required in order to meet signal integrity and overshoot requirements. Serial terminators are permitted, if desired, to reduce EMI risk; however, serial terminations are the only type permitted. Table 6-19 shows the specifications for the series terminators.

Table 6-19. LPDDR Signal Terminations

NO.	PARAMETER	MIN	TYP	MAX	UNIT	NOTES
1	CK Net Class	0		10	Ω	See Note (1)

(1) Only series termination is permitted, parallel or SST specifically disallowed.

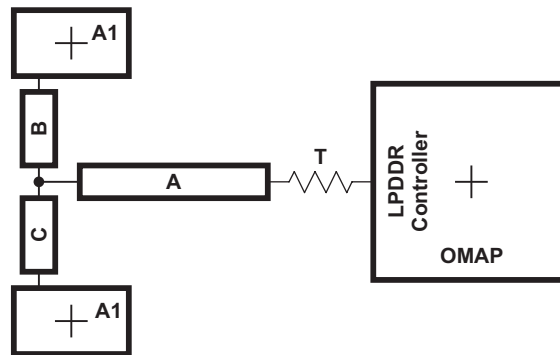
**Table 6-19. LPDDR Signal Terminations (continued)**

NO.	PARAMETER	MIN	TYP	MAX	UNIT	NOTES
2	ADDR_CTRL Net Class	0	22	Zo	$\Omega$	See Notes <sup>(1), (2), (3)</sup>
3	Data Byte Net Classes (DQS0-DQS3, DQ0-DQ3)	0	22	Zo	$\Omega$	See Notes <sup>(1), (2), (3)</sup>

- (2) Terminator values larger than typical only recommended to address EMI issues.
- (3) Termination value should be uniform across net class.

**6.4.2.7 LPDDR CK and ADDR\_CTRL Routing**

Figure 6-21 shows the topology of the routing for the CK and ADDR\_CTRL net classes. The route is a balanced T as it is intended that the length of segments B and C be equal. In addition, the length of A should be maximized.



**Figure 6-21. CK and ADDR\_CTRL Routing and Topology**

**Table 6-20. CK and ADDR\_CTRL Routing Specification**

NO.	PARAMETER	MIN	TYP	MAX	UNIT	NOTES
1	Center to Center CK-CK spacing			2w		
2	CK A to B/A to C Skew Length Mismatch			25	Mils	See Note <sup>(1)</sup>
3	CK B to C Skew Length Mismatch			25	Mils	
4	Center to Center CK to other LPDDR trace spacing	4w				See Note <sup>(2)</sup>
5	CK/ADDR_CTRL nominal trace length	CACLM-50	CACLM	CACLM+50	Mils	See Note <sup>(3)</sup>
6	ADDR_CTRL to CK Skew Length Mismatch			100	Mils	
7	ADDR_CTRL to ADDR_CTRL Skew Length Mismatch			100	Mils	
8	Center to Center ADDR_CTRL to other LPDDR trace 4w spacing	4w				See Note <sup>(2)</sup>
9	Center to Center ADDR_CTRL to other ADDR_CTRL 3w trace spacing	3w				See Note <sup>(2)</sup>
10	ADDR_CTRL A to B/A to C Skew Length Mismatch			100	Mils	See Note <sup>(1)</sup>
11	ADDR_CTRL B to C Skew Length Mismatch			100	Mils	

- (1) Series terminator, if used, should be located closest to device.
- (2) Center to center spacing is allowed to fall to minimum (w) for up to 500 mils of routed length to accommodate BGA escape and routing congestion.
- (3) CACLM is the longest Manhattan distance of the CK and ADDR\_CTRL net classes.

PRODUCT PREVIEW



Figure 6-22 shows the topology and routing for the DQS and DQ net classes; the routes are point to point. Skew matching across bytes is not needed nor recommended.

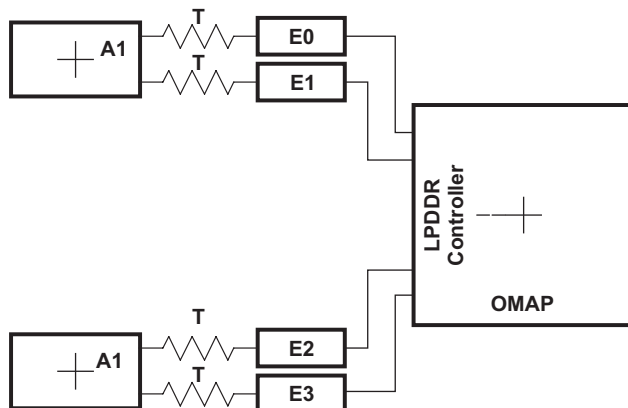


Figure 6-22. DQS and DQ Routing and Topology

Table 6-21. DQS and DQ Routing Specification<sup>(1)</sup>

NO.	PARAMETER	MIN	TYP	MAX	UNIT	NOTES
2	DQS E Skew Length Mismatch			25	Mils	
3	Center to Center DQS to other LPDDR trace spacing	4w				See Note <sup>(2)</sup>
4	DQS/DQ nominal trace length	DQLM - 50	DQLM	DQLM + 50	Mils	See Note <sup>(3)</sup>
5	DQ to DQS Skew Length Mismatch			100	Mils	
6	DQ to DQ Skew Length Mismatch			100	Mils	
7	Center to Center DQ to other LPDDR trace spacing	4w				See Note <sup>(2)</sup>
8	Center to Center DQ to other DQ trace spacing	3w				See Note <sup>(2), (4)</sup>
9	DQ E Skew Length Mismatch			100	Mils	

- (1) Series terminator, if used, should be located closest to LPDDR.
- (2) Center to center spacing is allowed to fall to minimum (w) for up to 500 mils of routed length to accommodate BGA escape and routing congestion.
- (3) Center to center spacing is allowed to fall to minimum (w) for up to 500 mils of routed length to accommodate BGA escape and routing congestion.
- (4) DQLM is the longest Manhattan distance of the DQS and DQ net classes.

## 6.5 Video Interfaces

### 6.5.1 Camera Interface

The camera subsystem provides the system interfaces and the processing capability to connect raw, YUV, or JPEG image sensor modules to the OMAP3530/25 device for video-preview, video-record, and still-image-capture applications. The camera subsystem supports up to two simultaneous pixel flows but only one of them can use the video processing hardware:

- **PARALLEL:** the parallel interface data must go through the video processing hardware.

#### 6.5.1.1 Parallel Camera Interface Timing

The parallel camera interface is a 12-bit interface which can be used in two modes:

1. **SYNC mode:** progressive and interlaced image sensor modules for 8-, 10-, 11-, and 12-bit data. The pixel clock can be up to 75 MHz in 12-bit mode. The pixel clock can be up to 130 MHz in 8-bit packed mode.
2. **ITU mode** provides an ITU-R BT 656 compatible data stream with progressive image sensor modules only in 8- and 10-bit configurations. The pixel clock can be up to 75 MHz.

##### 6.5.1.1.1 SYNC Normal Mode

##### 6.5.1.1.1.1 12-Bit SYNC Normal – Progressive Mode

Table 6-23 and Table 6-24 assume testing over the recommended operating conditions and electrical characteristic conditions (see Figure 6-23).

**Table 6-22. ISP Timing Conditions – 12-Bit SYNC Normal – Progressive Mode**

TIMING CONDITION PARAMETER		VALUE	UNIT
<b>Input Conditions</b>			
$t_R$	Input signal rise time	2.7	ns
$t_F$	Input signal fall time	2.7	ns
<b>Output Condition</b>			
$C_{LOAD}$	Output load capacitance	8.6	pF

**Table 6-23. ISP Timing Requirements – 12-Bit SYNC Normal – Progressive Mode<sup>(1)</sup>**

NO.	PARAMETER		1.15 V		1.0 V		UNIT
			MIN	MAX	MIN	MAX	
ISP17	$t_{c(pclk)}$	Cycle time <sup>(2)</sup> , cam_pclk period	13.3		22.2		ns
ISP18	$t_{W(pclkH)}$	Typical pulse duration, cam_pclk high	0.5*P <sup>(3)</sup>		0.5*P <sup>(3)</sup>		ns
ISP18	$t_{W(pclkL)}$	Typical pulse duration, cam_pclk low	0.5*P <sup>(3)</sup>		0.5*P <sup>(3)</sup>		ns
	$t_{dc(pclk)}$	Duty cycle error, cam_pclk		667		1111	ps
	$t_{j(pclk)}$	Cycle jitter <sup>(4)</sup> , cam_pclk		133		200	ps
ISP19	$t_{su(dV-pclkH)}$	Setup time, cam_d[11:0] valid before cam_pclk rising edge	1.82		3.25		ns
ISP20	$t_{h(pclkH-dV)}$	Hold time, cam_d[11:0] valid after cam_pclk rising edge	1.82		3.25		ns
ISP21	$t_{su(dV-vsH)}$	Setup time, cam_vs valid before cam_pclk rising edge	1.82		3.25		ns
ISP22	$t_{h(pclkH-vsV)}$	Hold time, cam_vs valid after cam_pclk rising edge	1.82		3.25		ns
ISP23	$t_{su(dV-hsH)}$	Setup time, cam_hs valid before cam_pclk rising edge	1.82		3.25		ns

(1) The timing requirements are assured for the cycle jitter and duty cycle error conditions specified.

(2) Related with the input maximum frequency supported by the ISP module.

(3) P = cam\_pclk period in ns

(4) Maximum cycle jitter supported by cam\_pclk input clock.

**Table 6-23. ISP Timing Requirements – 12-Bit SYNC Normal – Progressive Mode (continued)**

NO.	PARAMETER		1.15 V		1.0 V		UNIT
			MIN	MAX	MIN	MAX	
ISP24	$t_{h(pclkH-hsV)}$	Hold time, cam_hs valid after cam_pclk rising edge	1.82		3.25		ns
ISP25	$t_{su(dV-hsH)}$	Setup time, cam_wen valid before cam_pclk rising edge	1.82		3.25		ns
ISP26	$t_{h(pclkH-hsV)}$	Hold time, cam_wen valid after cam_pclk rising edge	1.82		3.25		ns

**Table 6-24. ISP Switching Characteristics – 12-Bit SYNC Normal – Progressive Mode**

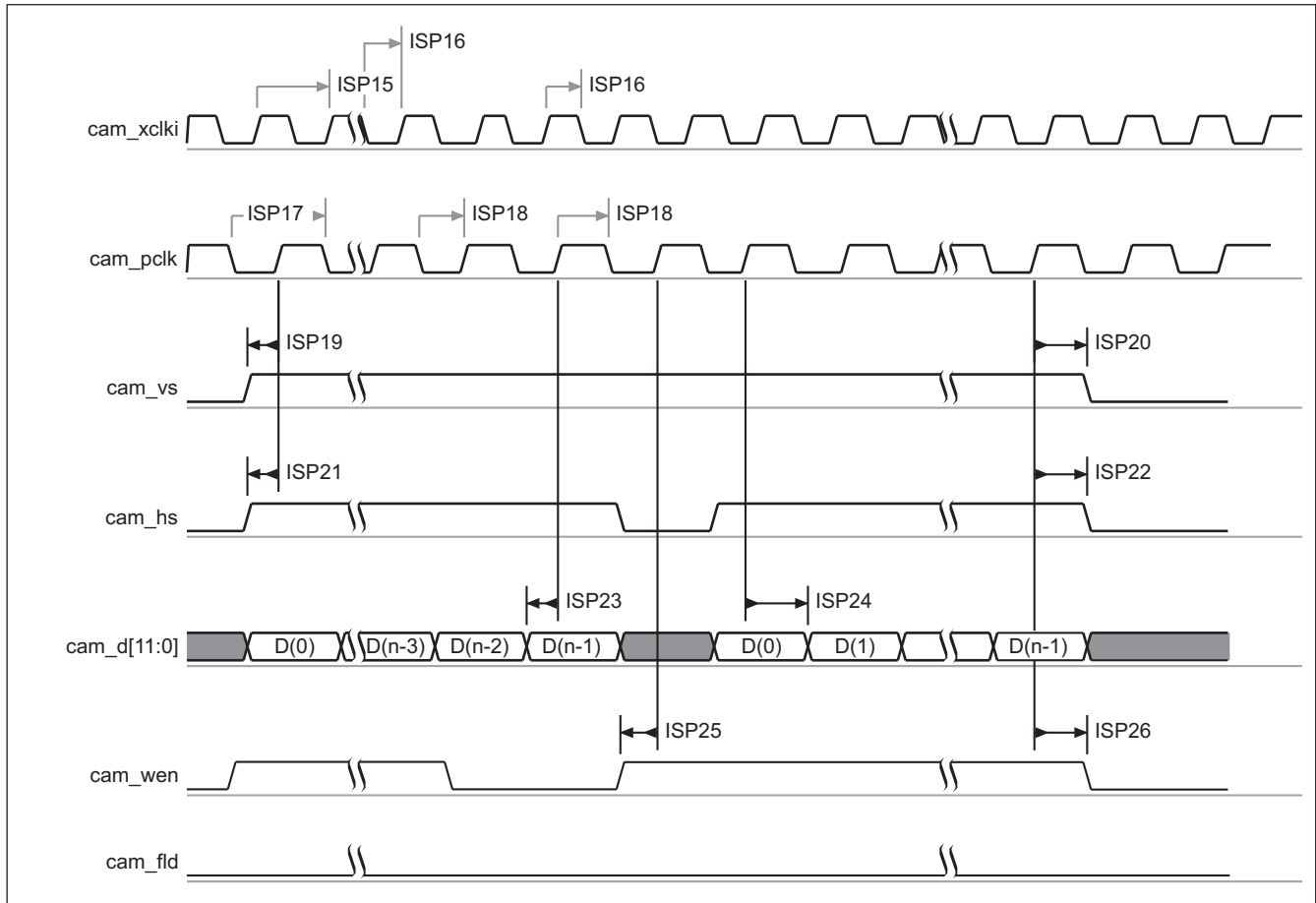
NO.	PARAMETER		1.15 V		1.0 V		UNIT
			MIN	MAX	MIN	MAX	
ISP15	$t_{c(xclk)}$	Cycle time <sup>(1)</sup> , cam_xclk period	4.6		4.6		ns
ISP16	$t_{W(xclkH)}$	Typical pulse duration, cam_xclk high	0.5*PO <sup>(2)</sup>		0.5*PO <sup>(2)</sup>		ns
ISP16	$t_{W(xclkL)}$	Typical pulse duration, cam_xclk low	0.5*PO <sup>(2)</sup>		0.5*PO <sup>(2)</sup>		ns
	$t_{dc(xclk)}$	Duty cycle error, cam_xclk		231		231	ps
	$t_{j(xclk)}$	Jitter standard deviation <sup>(3)</sup> , cam_xclk		33		33	ps
	$t_{R(xclk)}$	Rise time, cam_xclk		0.93		0.93	ns
	$t_{F(xclk)}$	Fall time, cam_xclk		0.93		0.93	ns

(1) Related with the cam\_xclk maximum and minimum frequencies programmable in the ISP module.

**Warning:** The camera sensor or the camera module must be disabled to change the frequency configuration. For more information, see the *OMAP35x Technical Reference Manual (TRM)* [literature number [SPRUF98](#)]

(2) PO = cam\_xclk period in ns

(3) The jitter probability density can be approximated by a Gaussian function.



030-056

Figure 6-23. ISP – 12-Bit SYNC Normal – Progressive Mode<sup>(1)(2)(3)(4)(5)(6)(7)(8)</sup>

- (1) The polarity of cam\_pclk, cam\_fld, cam\_vs, and cam\_hs are configurable. If the cam\_hs, cam\_vs, and cam\_fld signals are output, the signal length can be set.
- (2) The parallel camera in SYNC mode supports progressive image sensor modules and 8-, 10-, 11-, or 12-bit data.
- (3) When the image sensor has fewer than 12 data lines, it must be connected to the lower data lines and the unused lines must be grounded.
- (4) However, it is possible to shift the data to 0, 2, or 4 data internal lanes.
- (5) The bit configurations are: cam\_d[11:4] or cam\_d[7:0] in 8-bit mode, cam\_d[11:2] or cam\_d[9:0] in 10-bit mode, cam\_d[10:0] in 11-bit mode, and cam\_d[11:0] in 12-bit mode.
- (6) Optionally, the data write to memory can be qualified by the external cam\_wen signal.
- (7) The cam\_wen signal can be used as a external memory write-enable signal. The data is stored to memory only if cam\_hs, cam\_vs, and cam\_wen signals are asserted.
- (8) In cam\_xclki; I is equal to a or b.

6.5.1.1.1.2 8-bit Packed SYNC – Progressive Mode

Table 6-26 and Table 6-27 assume testing over the recommended operating conditions and electrical characteristic conditions (see Figure 6-24).

Table 6-25. ISP Timing Conditions – 8-bit Packed SYNC – Progressive Mode

TIMING CONDITION PARAMETER		VALUE	UNIT
<b>Input Conditions</b>			
t <sub>R</sub>	Input signal rise time	2.5	ns
t <sub>F</sub>	Input signal fall time	2.5	ns
<b>Output Conditions</b>			

**Table 6-25. ISP Timing Conditions – 8-bit Packed SYNC – Progressive Mode (continued)**

TIMING CONDITION PARAMETER		VALUE	UNIT
C <sub>LOAD</sub>	Output load capacitance	8.6	pF

**Table 6-26. ISP Timing Requirements – 8-bit Packed SYNC – Progressive Mode<sup>(1)</sup>**

NO.	PARAMETER		1.15 V		1.0 V		UNIT
			MIN	MAX	MIN	MAX	
ISP3	t <sub>c</sub> (pclk)	Cycle time <sup>(2)</sup> , cam_pclk period	7.7		15.4		ns
ISP4	t <sub>W</sub> (pclkH)	Typical pulse duration, cam_pclk high	0.5*P <sup>(3)</sup>		0.5*P <sup>(3)</sup>		ns
ISP4	t <sub>W</sub> (pclkL)	Typical pulse duration, cam_pclk low	0.5*P <sup>(3)</sup>		0.5*P <sup>(3)</sup>		ns
	t <sub>dc</sub> (pclk)	Duty cycle error, cam_pclk		385		769	ps
	t <sub>j</sub> (pclk)	Cycle jitter <sup>(4)</sup> , cam_pclk		83		167	ps
ISP5	t <sub>su</sub> (dV-pclkH)	Setup time, cam_d[11:0] valid before cam_pclk rising edge	1.08		2.27		ns
ISP6	t <sub>h</sub> (pclkH-dV)	Hold time, cam_d[11:0] valid after cam_pclk rising edge	1.08		2.27		ns
ISP7	t <sub>su</sub> (dV-vsH)	Setup time, cam_vs valid before cam_pclk rising edge	1.08		2.27		ns
ISP8	t <sub>h</sub> (pclkH-vsV)	Hold time, cam_vs valid after cam_pclk rising edge	1.08		2.27		ns
ISP9	t <sub>su</sub> (dV-hsH)	Setup time, cam_hs valid before cam_pclk rising edge	1.08		2.27		ns
ISP10	t <sub>h</sub> (pclkH-hsV)	Hold time, cam_hs valid after cam_pclk rising edge	1.08		2.27		ns
ISP11	t <sub>su</sub> (dV-hsH)	Setup time, cam_wen valid before cam_pclk rising edge	1.08		2.27		ns
ISP12	t <sub>h</sub> (pclkH-hsV)	Hold time, cam_wen valid after cam_pclk rising edge	1.08		2.27		ns

(1) The timing requirements are assured for the cycle jitter and duty cycle error conditions specified.

(2) Related with the input maximum frequency supported by the ISP module.

(3) P = cam\_pclk period in ns.

(4) Maximum cycle jitter supported by cam\_pclk input clock.

**Table 6-27. ISP Switching Characteristics – 8-bit packed SYNC – Progressive Mode**

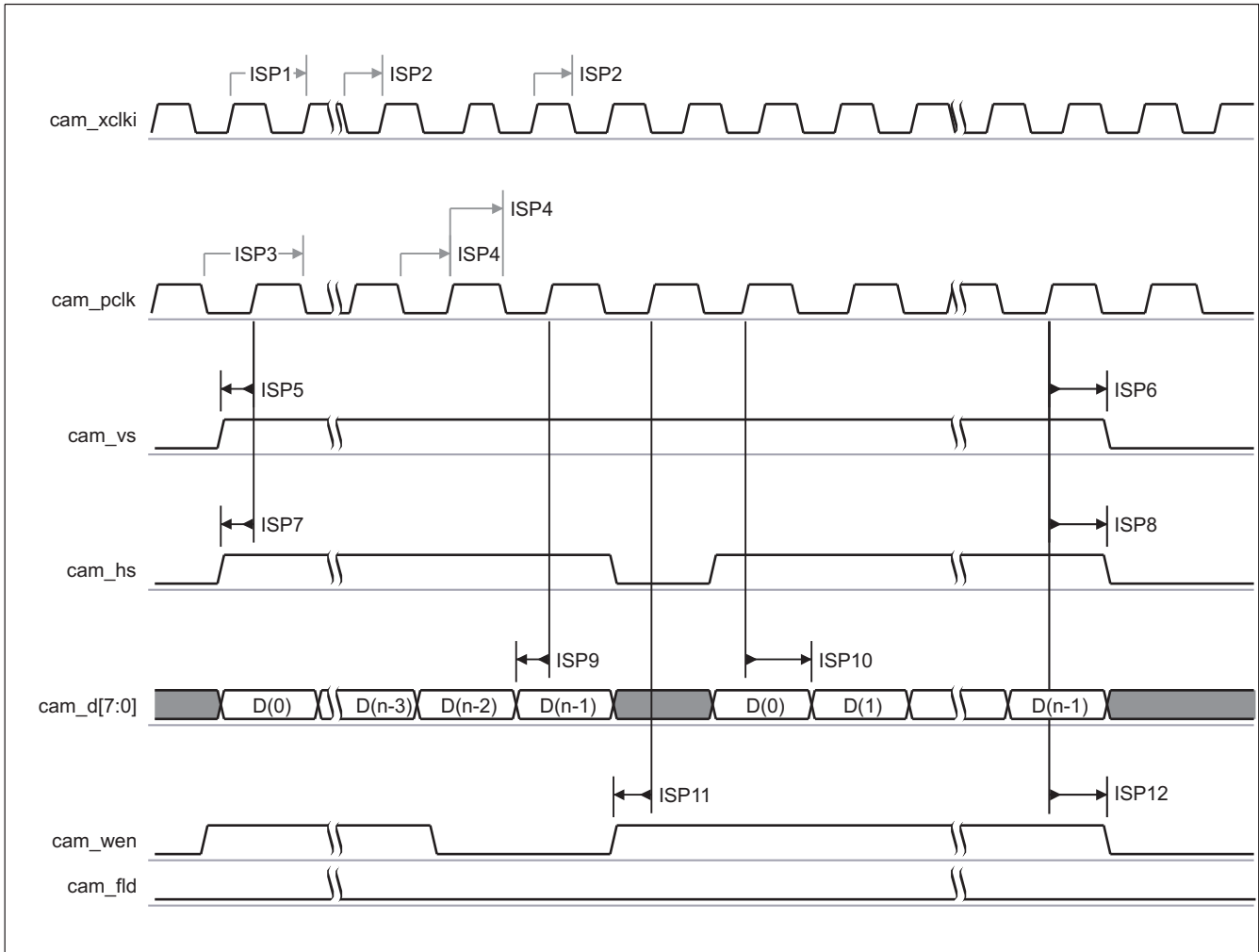
NO.	PARAMETER		1.15 V		1.0 V		UNIT
			MIN	MAX	MIN	MAX	
ISP1	t <sub>c</sub> (xclk)	Cycle time <sup>(1)</sup> , cam_xclk period	4.6		4.6		ns
ISP2	t <sub>W</sub> (xclkH)	Typical pulse duration, cam_xclk high	0.5*PO <sup>(2)</sup>		0.5*PO <sup>(2)</sup>		ns
ISP2	t <sub>W</sub> (xclkL)	Typical pulse duration, cam_xclk low	0.5*PO <sup>(2)</sup>		0.5*PO <sup>(2)</sup>		ns
	t <sub>dc</sub> (xclk)	Duty cycle error, cam_xclk		231		231	ps
	t <sub>j</sub> (xclk)	Jitter standard deviation <sup>(3)</sup> , cam_xclk		67		67	ps
	t <sub>R</sub> (xclk)	Rise time, cam_xclk		0.93		0.93	ns
	t <sub>F</sub> (xclk)	Fall time, cam_xclk		0.93		0.93	ns

(1) Related with the cam\_xclk maximum and minimum frequencies programmable in the ISP module.

**Warning:** You must disable the camera sensor or the camera module to change the frequency configuration. For more information, see the *OMAP35x Technical Reference Manual (TRM)* [literature number [SPRUJ98](#)]

(2) PO = cam\_xclk period in ns

(3) The jitter probability density can be approximated by a Gaussian function.



030-059

**Figure 6-24. ISP – 8-bit Packed SYNC – Progressive Mode<sup>(1)(2)(3)(4)(5)</sup>**

- (1) The polarity of cam\_pclk, cam\_fld, cam\_vs, and cam\_hs are configurable.
- (2) The image sensor must be connected to the lower data lines and the unused lines must be grounded. However, it is possible to shift the data to 0, 2, or 4 data internal lanes. The bit configurations are: cam\_d[11:4] or cam\_d[7:0] in 8-bit packed mode.
- (3) Optionally, the data write to memory can be qualified by the external cam\_wen signal. The cam\_wen signal can be used as a external memory write-enable signal. The data is stored to memory only if cam\_hs, cam\_vs, and cam\_wen signals are asserted. The polarity of cam\_fld is programmable.
- (4) The camera module can pack 8-bit data into 16 bits. It doubles the maximum pixel clock. This mode can be particularly useful to transfer a YCbCr data stream or compressed stream to memory at very high speed.
- (5) In cam\_xclki; I is equal to a or b.

**6.5.1.1.1.3 12-Bit SYNC Normal – Interlaced Mode**

Table 6-29 and Table 6-30 assume testing over the recommended operating conditions and electrical characteristic conditions (see Figure 6-25).

**Table 6-28. ISP Timing Conditions – 12-Bit SYNC Normal – Interlaced Mode**

TIMING CONDITION PARAMETER		VALUE	UNIT
<b>Input Conditions</b>			
t <sub>R</sub>	Input signal rise time	2.7	ns
t <sub>F</sub>	Input signal fall time	2.7	ns
<b>Output Conditions</b>			

**Table 6-28. ISP Timing Conditions – 12-Bit SYNC Normal – Interlaced Mode (continued)**

TIMING CONDITION PARAMETER		VALUE	UNIT
C <sub>LOAD</sub>	Output load capacitance	8.6	pF

**Table 6-29. ISP Timing Requirements – 12-Bit SYNC Normal – Interlaced Mode<sup>(1)</sup>**

NO.	PARAMETER		1.15 V		1.0 V		UNIT
			MIN	MAX	MIN	MAX	
ISP17	t <sub>c</sub> (pclk)	Cycle time <sup>(2)</sup> , cam_pclk period	13.3		22.2		ns
ISP18	t <sub>W</sub> (pclkH)	Typical pulse duration, cam_pclk high	0.5*P <sup>(3)</sup>		0.5*P <sup>(3)</sup>		ns
ISP18	t <sub>W</sub> (pclkL)	Typical pulse duration, cam_pclk low	0.5*P <sup>(3)</sup>		0.5*P <sup>(3)</sup>		ns
	t <sub>dc</sub> (pclk)	Duty cycle error, cam_pclk		667		1111	ps
	t <sub>j</sub> (pclk)	Cycle jitter <sup>(4)</sup> , cam_pclk		133		200	ps
ISP19	t <sub>su</sub> (dV-pclkH)	Setup time, cam_d[11:0] valid before cam_pclk rising edge	1.82		3.25		ns
ISP20	t <sub>h</sub> (pclkH-dV)	Hold time, cam_d[11:0] valid after cam_pclk rising edge	1.82		3.25		ns
ISP21	t <sub>su</sub> (dV-vsH)	Setup time, cam_vs valid before cam_pclk rising edge	1.82		3.25		ns
ISP22	t <sub>h</sub> (pclkH-vsV)	Hold time, cam_vs valid after cam_pclk rising edge	1.82		3.25		ns
ISP23	t <sub>su</sub> (dV-hsH)	Setup time, cam_hs valid before cam_pclk rising edge	1.82		3.25		ns
ISP24	t <sub>h</sub> (pclkH-hsV)	Hold time, cam_hs valid after cam_pclk rising edge	1.82		3.25		ns
ISP25	t <sub>su</sub> (dV-hsH)	Setup time, cam_wen valid before cam_pclk rising edge	1.82		3.25		ns
ISP26	t <sub>h</sub> (pclkH-hsV)	Hold time, cam_wen valid after cam_pclk rising edge	1.82		3.25		ns
ISP27	t <sub>su</sub> (dV-fldH)	Setup time, cam_fld valid before cam_pclk rising edge	1.82		3.25		ns
ISP28	t <sub>h</sub> (pclkH-fldV)	Hold time, cam_fld valid after cam_pclk rising edge	1.82		3.25		ns

(1) The timing requirements are assured for the cycle jitter and duty cycle error conditions specified.

(2) Related with the input maximum frequency supported by the ISP module.

(3) P = cam\_lclk period in ns.

(4) Maximum cycle jitter supported by cam\_pclk input clock.

**Table 6-30. ISP Switching Characteristics – 12-Bit SYNC Normal – Interlaced Mode**

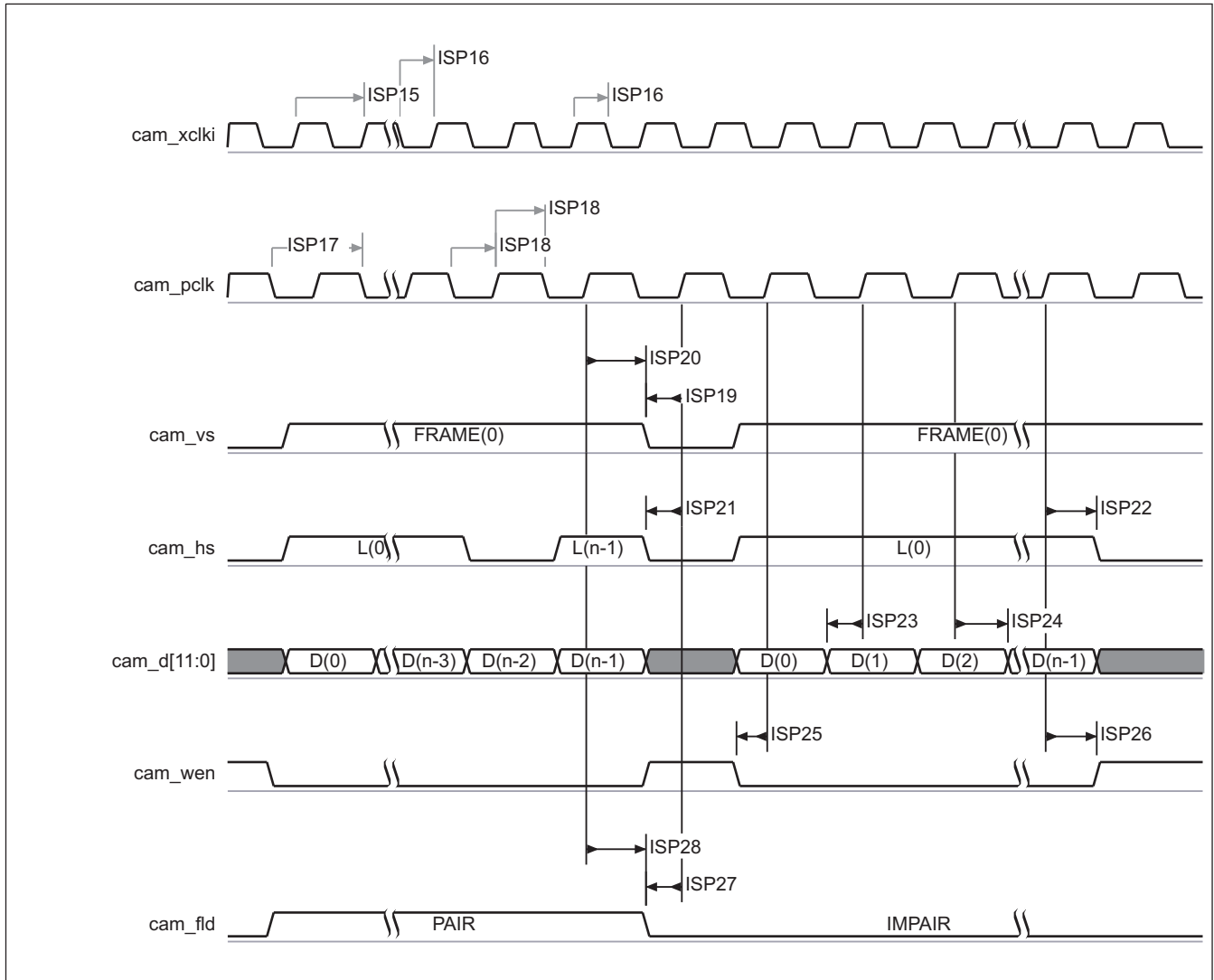
NO.	PARAMETER		1.15 V		1.0 V		UNIT
			MIN	MAX	MIN	MAX	
ISP15	t <sub>c</sub> (xclk)	Cycle time <sup>(1)</sup> , cam_xclk period	4.6		4.6		ns
ISP16	t <sub>W</sub> (xclkH)	Typical pulse duration, cam_xclk high	0.5*PO <sup>(2)</sup>		0.5*PO <sup>(2)</sup>		ns
ISP16	t <sub>W</sub> (xclkL)	Typical pulse duration, cam_xclk low	0.5*PO <sup>(2)</sup>		0.5*PO <sup>(2)</sup>		ns
	t <sub>dc</sub> (xclk)	Duty cycle error, cam_xclk		231		231	ps
	t <sub>j</sub> (xclk)	Jitter standard deviation <sup>(3)</sup> , cam_xclk		33		33	ps
	t <sub>R</sub> (xclk)	Rise time, cam_xclk		0.93		0.93	ns
	t <sub>F</sub> (xclk)	Fall time, cam_xclk		0.93		0.93	ns

(1) Related with the cam\_xclk maximum and minimum frequencies programmable in the ISP module.

**Warning:** You must disable the camera sensor or the camera module to change the frequency configuration. For more information, see the *OMAP35x Technical Reference Manual (TRM)* [literature number [SPRUF98](#)]

(2) PO = cam\_xclk period in ns.

(3) The jitter probability density can be approximated by a Gaussian function.



030-057

**Figure 6-25. ISP – 12-Bit SYNC Normal – Interlaced Mode<sup>(1)(2)(3)(4)(5)(6)(7)(8)</sup>**

- (1) The polarity of cam\_pclk, cam\_fld, cam\_vs, and cam\_hs are configurable. If the cam\_hs, cam\_vs, and cam\_fld signals are output, the signal length can be set.
- (2) The parallel camera in SYNC mode supports interlaced image sensor modules and 8-, 10-, 11-, or 12-bit data.
- (3) When the image sensor has fewer than 12 data lines, it must be connected to the lower data lines and the unused lines must be grounded.
- (4) It is possible to shift the data to 0, 2, or 4 data internal lanes.
- (5) The bit configurations are: cam\_d[11:4] or cam\_d[7:0] in 8-bit mode, cam\_d[11:2] or cam\_d[9:0] in 10-bit mode, cam\_d[10:0] in 11-bit mode, and cam\_d[11:0] in 12-bit mode.
- (6) Optionally, the data write to memory can be qualified by the external cam\_wen signal.
- (7) The cam\_wen signal can be used as a external memory write-enable signal. The data is stored to memory only if cam\_hs, cam\_vs, and cam\_wen signals are asserted.
- (8) In cam\_xclki; I is equal to a or b.

**6.5.1.1.1.4 8-bit Packed SYNC – Interlaced Mode**

Table 6-32 and Table 6-33 assume testing over the recommended operating conditions and electrical characteristic conditions (see Figure 6-26).



**Table 6-31. ISP Timing Conditions – 8-bit Packed SYNC – Interlaced Mode**

TIMING CONDITION PARAMETER		VALUE	UNIT
<b>Input Conditions</b>			
$t_R$	Input signal rise time	2.5	ns
$t_F$	Input signal fall time	2.5	ns
<b>Output Conditions</b>			
$C_{LOAD}$	Output load capacitance	8.6	pF

**Table 6-32. ISP Timing Requirements – 8-bit Packed SYNC – Interlaced Mode<sup>(1)</sup>**

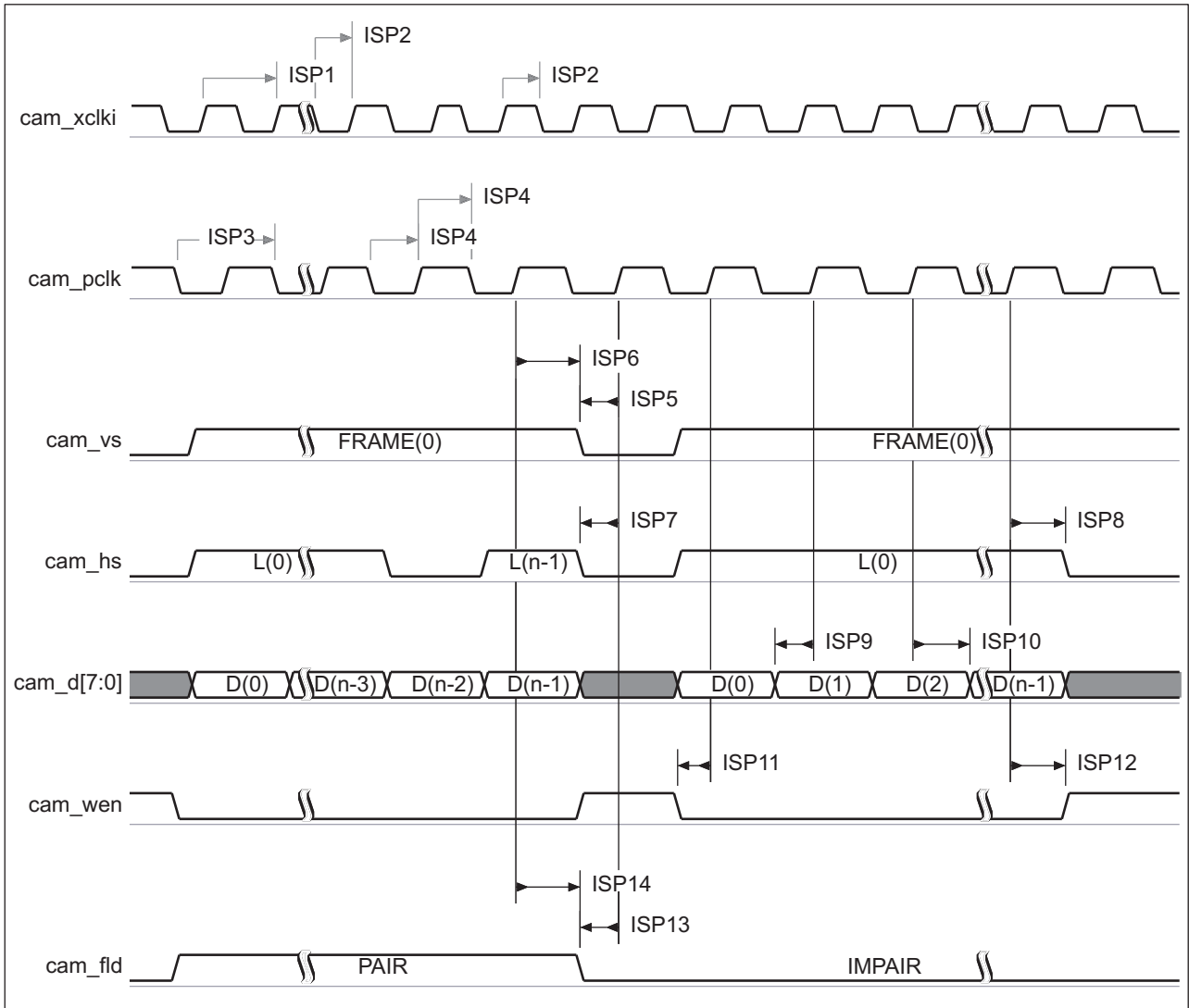
NO.	PARAMETER		1.15 V		1.0 V		UNIT
			MIN	MAX	MIN	MAX	
ISP3	$t_{c(pclk)}$	Cycle time <sup>(2)</sup> , cam_pclk period	7.7		15.4		ns
ISP4	$t_{W(pclkH)}$	Typical pulse duration, cam_pclk high	0.5*P <sup>(3)</sup>		0.5*P <sup>(3)</sup>		ns
ISP4	$t_{W(pclkL)}$	Typical pulse duration, cam_pclk low	0.5*P <sup>(3)</sup>		0.5*P <sup>(3)</sup>		ns
	$t_{dc(pclk)}$	Duty cycle error, cam_pclk		385		769	ps
	$t_{j(pclk)}$	Cycle jitter <sup>(4)</sup> , cam_pclk		83		167	ps
ISP5	$t_{su(dV-pclkH)}$	Setup time, cam_d[11:0] valid before cam_pclk rising edge	1.08		2.27		ns
ISP6	$t_{h(pclkH-dV)}$	Hold time, cam_d[11:0] valid after cam_pclk rising edge	1.08		2.27		ns
ISP7	$t_{su(dV-vsH)}$	Setup time, cam_vs valid before cam_pclk rising edge	1.08		2.27		ns
ISP8	$t_{h(pclkH-vsV)}$	Hold time, cam_vs valid after cam_pclk rising edge	1.08		2.27		ns
ISP9	$t_{su(dV-hsH)}$	Setup time, cam_hs valid before cam_pclk rising edge	1.08		2.27		ns
ISP10	$t_{h(pclkH-hsV)}$	Hold time, cam_hs valid after cam_pclk rising edge	1.08		2.27		ns
ISP11	$t_{su(dV-hsH)}$	Setup time, cam_wen valid before cam_pclk rising edge	1.08		2.27		ns
ISP12	$t_{h(pclkH-hsV)}$	Hold time, cam_wen valid after cam_pclk rising edge	1.08		2.27		ns
ISP13	$t_{su(dV-flidH)}$	Setup time, cam_fld valid before cam_pclk rising edge	1.08		2.27		ns
ISP14	$t_{h(pclkH-flidV)}$	Hold time, cam_fld valid after cam_pclk rising edge	1.08		2.27		ns

- (1) The timing requirements are assured for the cycle jitter and duty cycle error conditions specified.  
(2) Related with the input maximum frequency supported by the ISP module.  
(3) P = cam\_lclk period in ns.  
(4) Maximum cycle jitter supported by cam\_pclk input clock.

**Table 6-33. ISP Switching Characteristics – 8-bit Packed SYNC – Interlaced Mode**

NO.	PARAMETER		1.15 V		1.0 V		UNIT
			MIN	MAX	MIN	MAX	
ISP16	$t_{c(xclk)}$	Cycle time <sup>(1)</sup> , cam_xclk period	4.6		4.6		ns
ISP2	$t_{W(xclkH)}$	Typical pulse duration, cam_xclk high	0.5*PO <sup>(2)</sup>		0.5*PO <sup>(2)</sup>		ns
ISP2	$t_{W(xclkL)}$	Typical pulse duration, cam_xclk low	0.5*PO <sup>(2)</sup>		0.5*PO <sup>(2)</sup>		ns
	$t_{dc(xclk)}$	Duty cycle error, cam_xclk		231		231	ps
	$t_{j(xclk)}$	Jitter standard deviation <sup>(3)</sup> , cam_xclk		67		67	ps
	$t_{R(xclk)}$	Rise time, cam_xclk		0.93		0.93	ns
	$t_{F(xclk)}$	Fall time, cam_xclk		0.93		0.93	ns

- (1) Related with the cam\_xclk maximum and minimum frequencies programmable in the ISP module.  
**Warning:** You must disable the camera sensor or the camera module to change the frequency configuration. For more information, see the *OMAP35x Technical Reference Manual (TRM)* [literature number [SPRUJ98](#)]  
(2) PO = cam\_xclk period in ns.  
(3) The jitter probability density can be approximated by a Gaussian function.



030-060

Figure 6-26. ISP – 8-bit Packed SYNC – Interlaced Mode<sup>(1)(2)(3)(4)(5)</sup>

- (1) The polarity of cam\_pclk, cam\_fld, cam\_vs, and cam\_hs are configurable.
- (2) The image sensor must be connected to the lower data lines and the unused lines must be grounded. However, it is possible to shift the data to 0, 2, or 4 data internal lanes. The bit configurations are: cam\_d[11:4] or cam\_d[7:0] in 8-bit packed mode.
- (3) Optionally, the data write to memory can be qualified by the external cam\_wen signal. The cam\_wen signal can be used as a external memory write-enable signal. The data is stored to memory only if cam\_hs, cam\_vs, and cam\_wen signals are asserted.
- (4) The camera module can pack 8-bit data into 16 bits. It doubles the maximum pixel clock. This mode can be particularly useful to transfer a YCbCr data stream or compressed stream to memory at very high speed.
- (5) In cam\_xclk\_i; I is equal to a or b.

6.5.1.1.2 ITU Mode

Table 6-35 and Table 6-36 assume testing over the recommended operating conditions and electrical characteristic conditions (see Figure 6-27).

Table 6-34. ISP Timing Conditions – ITU Mode

TIMING CONDITION PARAMETER		VALUE	UNIT
<b>Input Conditions</b>			
t <sub>R</sub>	Input signal rise time	2.7	ns

**Table 6-34. ISP Timing Conditions – ITU Mode (continued)**

TIMING CONDITION PARAMETER		VALUE	UNIT
$t_F$	Input signal fall time	2.7	ns
<b>Output Conditions</b>			
$C_{LOAD}$	Output load capacitance	8.6	pF

**Table 6-35. ISP Timing Requirements – ITU Mode<sup>(1)</sup>**

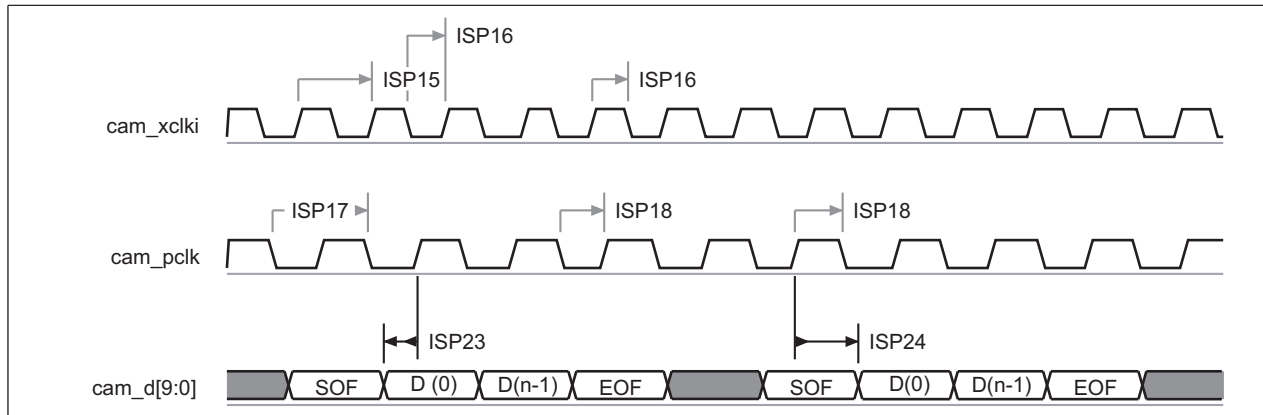
NO.	PARAMETER		1.15 V		1.0 V		UNIT
			MIN	MAX	MIN	MAX	
ISP17	$t_{c(pclk)}$	Cycle time <sup>(2)</sup> , cam_pclk period	13.3		22.2		ns
ISP18	$t_{W(pclkH)}$	Typical pulse duration, cam_pclk high	0.5*P <sup>(3)</sup>		0.5*P <sup>(3)</sup>		ns
ISP18	$t_{W(pclkL)}$	Typical pulse duration, cam_pclk low	0.5*P <sup>(3)</sup>		0.5*P <sup>(3)</sup>		ns
	$t_{dc(pclk)}$	Duty cycle error, cam_pclk		667		1111	ps
	$t_{j(pclk)}$	Cycle jitter <sup>(4)</sup> , cam_pclk		133		200	ps
ISP23	$t_{su(dV-pclkH)}$	Setup time, cam_d[9:0] valid before cam_pclk rising edge	1.82		3.25		ns
ISP24	$t_{h(pclkH-dV)}$	Hold time, cam_d[9:0] valid after cam_pclk rising edge	1.82		3.25		ns

- (1) The timing requirements are assured for the cycle jitter and duty cycle error conditions specified.  
(2) Related with the input maximum frequency supported by the ISP module.  
(3) P = cam\_lclk period in ns.  
(4) Maximum cycle jitter supported by cam\_lclk input clock.

**Table 6-36. ISP Switching Characteristics – ITU Mode**

NO.	PARAMETER		1.15 V		1.0 V		UNIT
			MIN	MAX	MIN	MAX	
ISP15	$t_{c(xclk)}$	Cycle time <sup>(1)</sup> , cam_xclk period	4.6		4.6		ns
ISP16	$t_{W(xclkH)}$	Typical pulse duration, cam_xclk high	0.5*PO <sup>(2)</sup>		0.5*PO <sup>(2)</sup>		ns
ISP16	$t_{W(xclkL)}$	Typical pulse duration, cam_xclk low	0.5*PO <sup>(2)</sup>		0.5*PO <sup>(2)</sup>		ns
	$t_{dc(xclk)}$	Duty cycle error, cam_xclk		231		231	ps
	$t_{j(xclk)}$	Jitter standard deviation <sup>(3)</sup> , cam_xclk		33		33	ps
	$t_{R(xclk)}$	Rise time, cam_xclk		0.93		0.93	ns
	$t_{F(xclk)}$	Fall time, cam_xclk		0.93		0.93	ns

- (1) Related with the cam\_xclk maximum and minimum frequencies programmable in the ISP module.  
**Warning:** The camera sensor or the camera module must be disabled to change the frequency configuration. For more information, see the *OMAP35x Technical Reference Manual (TRM)* [literature number [SPRUJ98](#)]  
(2) PO = cam\_xclk period in ns  
(3) The jitter probability density can be approximated by a Gaussian function.



030-058

Figure 6-27. ISP – ITU Mode<sup>(1)(2)</sup>

- (1) The unused lines must be grounded and the data bus must be connected to the lower data lines. It is possible to shift the data to 0, 2, or 4 data internal lanes. The different configurations are: cam\_d[11:4] or cam\_d[7:0] in 8-bit mode and cam\_d[11:2] or cam\_d[9:0] in 10-bit mode.
- (2) The parallel camera in ITU mode supports progressive camera modules.

## 6.5.2 Display Subsystem (DSS)

The display subsystem (DSS) provides the logic to display the video frame from external (SDRAM) or internal (SRAM) memory on an LCD panel or a TV set. The DSS integrates a display controller, a remote frame buffer module (RFBI), and a TV-out module. It can be used in two configurations:

- LCD display support in:
  - Bypass mode (RFBI module bypassed)
  - RFBI mode (through RFBI module)
- TV display support (not discussed in this document because of its analog IO signals)

The two display supports can be active at the same time.

### 6.5.2.1 LCD Display Support in Bypass Mode

Two types of LCD panel are supported:

- Thin film transistor (TFT) or active matrix technology
- Supertwisted nematic (STN) or passive matrix technology

Both configurations are discussed in the following paragraphs.

#### 6.5.2.1.1 LCD Display in TFT Mode

Table 6-37 assumes testing over the recommended operating conditions (see Figure 6-28).

**Table 6-37. LCD Display Interface Switching Characteristics in TFT Mode<sup>(1)(2)</sup>**

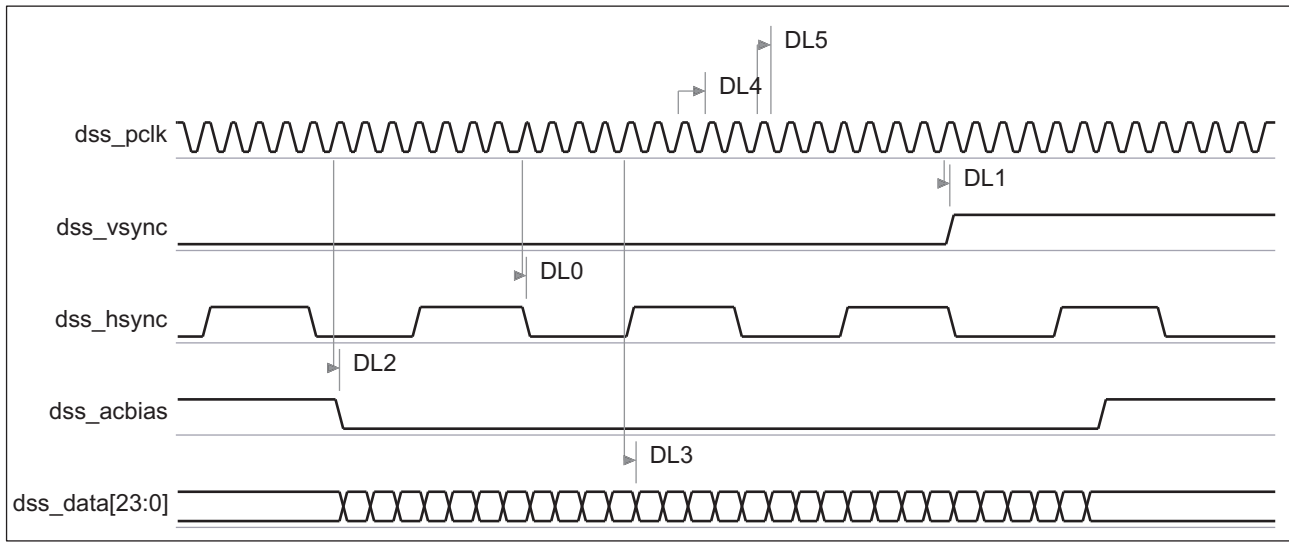
NO.	PARAMETER		1.15 V		1.0 V		UNIT
			MIN	MAX	MIN	MAX	
DL0	$t_{d(PCLKA-HSYNCT)}$	Delay time, dss_pclk active edge to dss_hsync transition	–3.9	3.9	–4.6	4.6	ns
DL1	$t_{d(PCLKA-VSYNCT)}$	Delay time, dss_pclk active edge to dss_vsync transition	–3.9	3.9	–4.6	4.6	ns
DL2	$t_{d(PCLKA-ACBIASA)}$	Delay time, dss_pclk active edge to dss_acbias active level	–3.9	3.9	–4.6	4.6	ns
DL3	$t_{d(PCLKA-DATAV)}$	Delay time, dss_pclk active edge to dss_data bus valid	–3.9	3.9	–4.6	4.6	ns
DL4	$t_{c(PCLK)}$	Cycle time <sup>(3)</sup> , dss_pclk	13.5		13.5		ns
DL5	$t_{w(PCLK)}$	Pulse duration, dss_pclk low or high	0.45*P <sup>(4)</sup>	0.55*P <sup>(4)</sup>	0.45*P <sup>(4)</sup>	0.55*P <sup>(4)</sup>	ns

(1) The capacitive load is equivalent to 25 pF at 1.15 V and 30 pF at 1.0 V.

(2) For more information, see the DSS chapter of the *OMAP35x Technical Reference Manual (TRM)* [literature number [SPRUF98](#)].

(3) The pixel clock frequency is software programmable via the pixel clock divider configuration from 1 to 255 division range in the DISPC\_DIVISOR register.

(4) P = dss\_pclk period.



030-061

Figure 6-28. LCD Display in TFT Mode<sup>(1)(2)(3)(4)</sup>

- (1) The pixel data bus depends on the use of 8-, 9-, 12-, 16-, 18-, or 24-bit per pixel data output pins.
- (2) The pixel clock frequency is programmable.
- (3) All timings not illustrated in the waveform are programmable by software, control signal polarity, and driven edge of dss\_pclk.
- (4) For more information, see the DSS chapter of the *OMAP35x Technical Reference Manual (TRM)* [literature number [SPRUF98](#)].

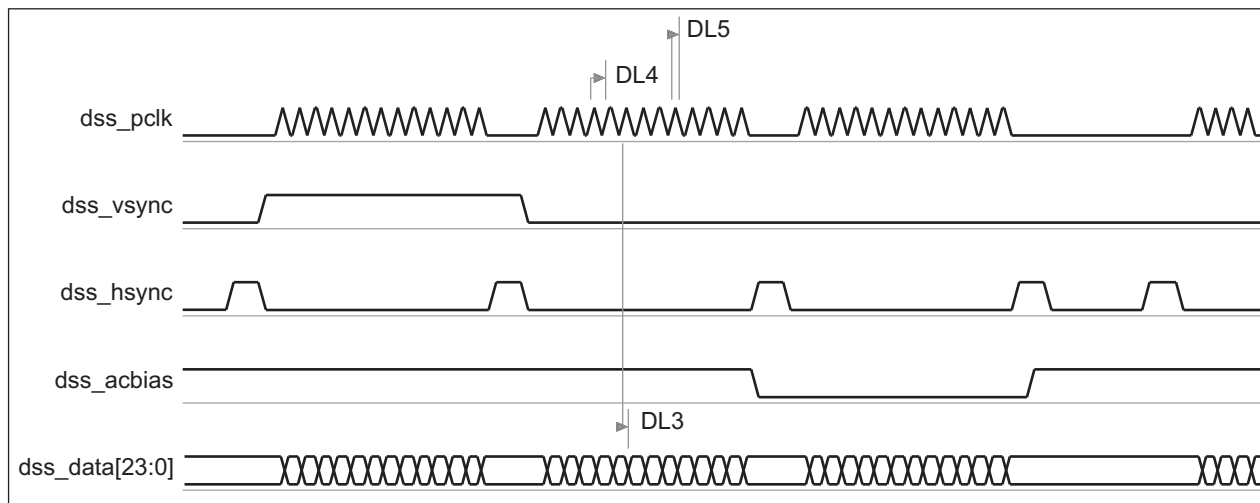
### 6.5.2.1.2 LCD Display in STN Mode

Table 6-38 assumes testing over the recommended operating conditions (see [Figure 6-29](#)).

Table 6-38. LCD Display Interface Switching Characteristics in STN Mode<sup>(1)(2)(3)</sup>

NO.	PARAMETER		1.15 V		1.0 V		UNIT
			MIN	MAX	MIN	MAX	
DL3	$t_{d(PCLKA-DATAV)}$	Delay time, dss_pclk active edge to dss_data bus valid	-7	7	-7	7	ns
DL4	$t_{c(PCLK)}$	Cycle time <sup>(4)</sup> , dss_pclk	22.7		22.7		ns
DL5	$t_{w(PCLK)}$	Pulse duration, dss_pclk low or high	$0.45 \cdot P^{(5)}$	$0.55 \cdot P^{(5)}$	$0.45 \cdot P^{(5)}$	$0.55 \cdot P^{(5)}$	ns

- (1) The DSS in STN mode is used with 4 or 8 pins only; unused pixel data bits always remain low.
- (2) The capacitive load is equivalent to 40 pF.
- (3) For more information, see the DSS chapter of the *OMAP35x Technical Reference Manual (TRM)* [literature number [SPRUF98](#)].
- (4) The pixel clock frequency is software programmable via the pixel clock divider configuration from 1 to 255 division range in the DISPC\_DIVISOR register.
- (5) P = dss\_pclk period.



030-062

Figure 6-29. LCD Display in STN Mode<sup>(1)(2)(3)(4)(5)</sup>

- (1) The pixel data bus depends on the use 4-, 8-, 12-, 16-, 18-, or 24-bit per pixel data output pins.
- (2) All timings not illustrated in the waveform are programmable by software, control signal polarity, and driven edge of dss\_pclk.
- (3) dss\_vsync width must be programmed to be as small as possible.
- (4) The pixel clock frequency is programmable.
- (5) For more information, see the DSS chapter of the OMAP35x Technical Reference Manual (TRM) [literature number [SPRUF98](#)].

### 6.5.2.2 LCD Display Support in RFBI Mode

Table 6-40 and Table 6-41 assume testing over the recommended operating conditions (see Figure 6-30 through Figure 6-32).

Table 6-39. LCD Timing Conditions – RFBI Mode

TIMING CONDITION PARAMETER		VALUE		UNIT
Input Conditions		MIN	MAX	
t <sub>R</sub>	Input signal rise time		15	ns
t <sub>F</sub>	Input signal fall time		15	ns
Output Conditions				
C <sub>LOAD</sub>	Output load capacitance		30	pF

Table 6-40. LCD Display Interface Timing Requirements in RFBI Mode

NO.	PARAMETER		1.15 V		1.0 V		0.95 V		UNIT
			MIN	MAX	MIN	MAX	MIN	MAX	
DR1 6	t <sub>s(DAV-RDH)</sub>	Setup time, rfb <sub>i</sub> _da[15:0] valid to rfb <sub>i</sub> _rd high	2.5	2.5 + I <sup>(1)</sup>	2.5	2.5 + I <sup>(1)</sup>	TBD	TBD	ns
DR1 7	t <sub>h(RDH-DAIV)</sub>	Hold time, rfb <sub>i</sub> _rd high to rfb <sub>i</sub> _da[15:0] invalid	2.5	2.5 + I <sup>(1)</sup>	2.5	2.5 + I <sup>(1)</sup>	TBD	TBD	ns

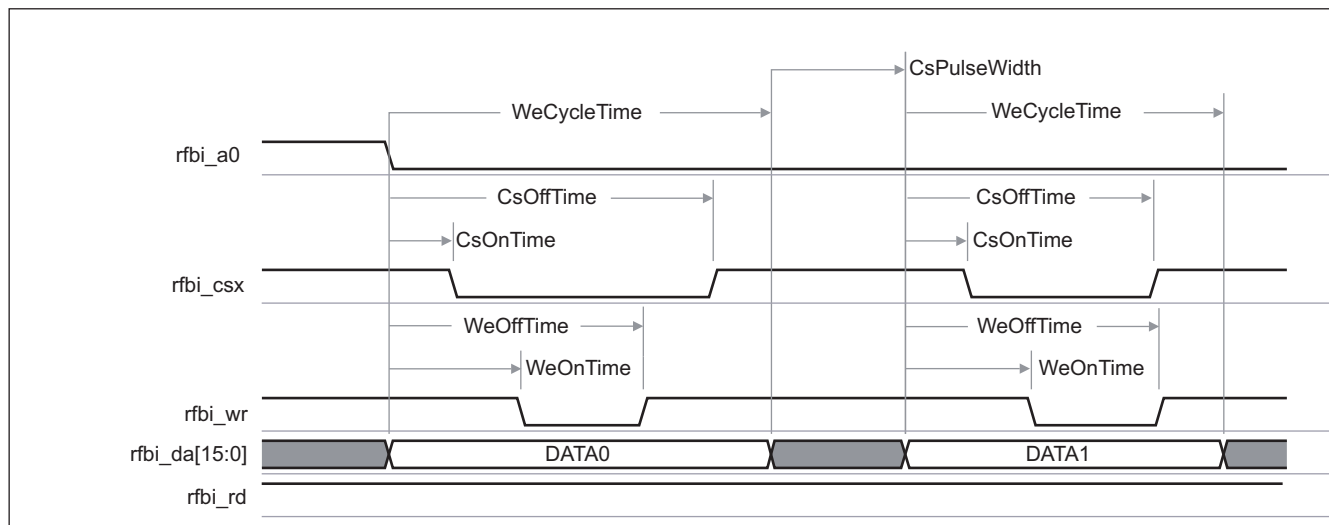
(1) I = ((REOffTime – AccessTime) \* (TimeParaGranularity + 1) \* L4CLK

**Table 6-41. LCD Display Interface Switching Characteristics in RFBI Mode**

NO.	PARAMETER		1.15 V		1.0 V		0.95 V		UNIT
			MIN	MAX	MIN	MAX	MIN	MAX	
DR2	$t_{w(rfbi\_wrH)}$	Pulse duration, rfbi_wr high	A <sup>(1)</sup>		A <sup>(1)</sup>				ns
DR3	$t_{w(rfbi\_wrL)}$	Pulse duration, rfbi_wr low	B <sup>(2)</sup>		B <sup>(2)</sup>				ns
DR4	$t_{d(rfbi\_a0-rfbi\_wrL)}$	Delay time, rfbi_a0 transition to rfbi_wr low	A <sup>(1)</sup> – 2.5	A <sup>(1)</sup> + 2.5	A <sup>(1)</sup> – 2.5	A <sup>(1)</sup> + 2.5			ns
DR5	$t_{d(rfbi\_a0-rfbi\_wrH)}$	Delay time, rfbi_a0 transition to rfbi_wr high	C <sup>(3)</sup> – 2.5	C <sup>(3)</sup> + 2.5	C <sup>(3)</sup> – 2.5	C <sup>(3)</sup> + 2.5			ns
DR6	$t_{d(rfbi\_csx-rfbi\_wrL)}$	Delay time, rfbi_csx <sup>(4)</sup> low to rfbi_wr low	C <sup>(3)</sup> – 2.5	C <sup>(3)</sup> + 2.5	C <sup>(3)</sup> – 2.5	C <sup>(3)</sup> + 2.5			ns
DR7	$t_{d(rfbi\_wrH-rfbi\_csxH)}$	Delay time, rfbi_wr high to rfbi_csx <sup>(4)</sup> high	D <sup>(5)</sup> – 2.5	D <sup>(5)</sup> + 2.5	D <sup>(5)</sup> – 2.5	D <sup>(5)</sup> + 2.5			ns
DR8	$t_{d(rfbi\_wrL-rfbi\_daV)}$	Delay time, rfbi_wr low to rfbi_da[15:0] valid	B <sup>(2)</sup> – 2.5	B <sup>(2)</sup> + 2.5	B <sup>(2)</sup> – 2.5	B <sup>(2)</sup> + 2.5			ns
DR9	$t_{d(rfbi\_a0H-rfbi\_rdL)}$	Delay time, rfbi_a0 high to rfbi_rd low	F <sup>(6)</sup> – 2.5	F <sup>(6)</sup> + 2.5	F <sup>(6)</sup> – 2.5	F <sup>(6)</sup> + 2.5			ns
DR10	$t_{d(rfbi\_csxL-rfbi\_rdL)}$	Delay time, rfbi_csx <sup>(4)</sup> low to rfbi_rd low	G <sup>(7)</sup> – 2.5	G <sup>(7)</sup> + 2.5	G <sup>(7)</sup> – 2.5	G <sup>(7)</sup> + 2.5			ns
DR12	$t_{w(rfbi\_rdH)}$	Pulse duration, rfbi_rd high	J <sup>(8)</sup>		J <sup>(8)</sup>				ns
DR13	$t_{w(rfbi\_rdL)}$	Pulse duration, rfbi_rd low	E <sup>(9)</sup>		E <sup>(9)</sup>				ns
DR14	$t_{d(rfbi\_rdL-rfbi\_csxL)}$	Delay time, rfbi_rd low to rfbi_csx <sup>(4)</sup> low	H <sup>(10)</sup> – 2.5	H <sup>(10)</sup> + 2.5	H <sup>(10)</sup> – 2.5	H <sup>(10)</sup> + 2.5			ns
DR15	$t_{d(rfbi\_rdH-rfbi\_csxH)}$	Delay time, rfbi_rd high to rfbi_csx <sup>(4)</sup> high	H <sup>(10)</sup> – 2.5	H <sup>(10)</sup> + 2.5	H <sup>(10)</sup> – 2.5	H <sup>(10)</sup> + 2.5			ns
	$t_{R(rfbi\_wr)}$	Rise time, rfbi_wr		15		15			ns
	$t_{F(rfbi\_wr)}$	Fall time, rfbi_wr		15		15			ns
	$t_{R(rfbi\_a0)}$	Rise time, rfbi_a0		15		15			ns
	$t_{F(rfbi\_a0)}$	Fall time, rfbi_a0		15		15			ns
	$t_{R(rfbi\_csx)}$	Rise time, rfbi_csx		15		15			ns
	$t_{F(rfbi\_csx)}$	Fall time, rfbi_csx		15		15			ns
	$t_{R(rfbi\_da[15:0])}$	Rise time, rfbi_da[15:0]		15		15			ns
	$t_{F(rfbi\_da[15:0])}$	Fall time, rfbi_da[15:0]		15		15			ns
	$t_{R(rfbi\_rd)}$	Rise time, rfbi_rd		15		15			ns
	$t_{F(rfbi\_rd)}$	Fall time, rfbi_rd		15		15			ns

- (1)  $A = (WEOnTime) * (TimeParaGranularity + 1) * L4CLK$   
 (2)  $B = (WEOffTime - WEOnTime) * (TimeParaGranularity + 1) * L4CLK$   
 (3)  $C = (WEOnTime - CSOnTime) * (TimeParaGranularity + 1) * L4CLK$   
 (4) In RFBI\_nCSx, x stands for 0 or 1.  
 (5)  $D = (CSOffTime - WEOffTime) * (TimeParaGranularity + 1) * L4CLK$   
 (6)  $F = REOnTime * (TimeParaGranularity + 1) * L4CLK$   
 (7)  $G = (REOnTime - CSOnTime) * (TimeParaGranularity + 1) * L4CLK$   
 (8)  $J = (REOnTime) * L4CLK$   
 (9)  $E = (REOffTime - REOnTime) * (TimeParaGranularity + 1) * L4CLK$   
 (10)  $H = (CSOffTime - REOffTime) * (TimeParaGranularity + 1) * L4CLK$

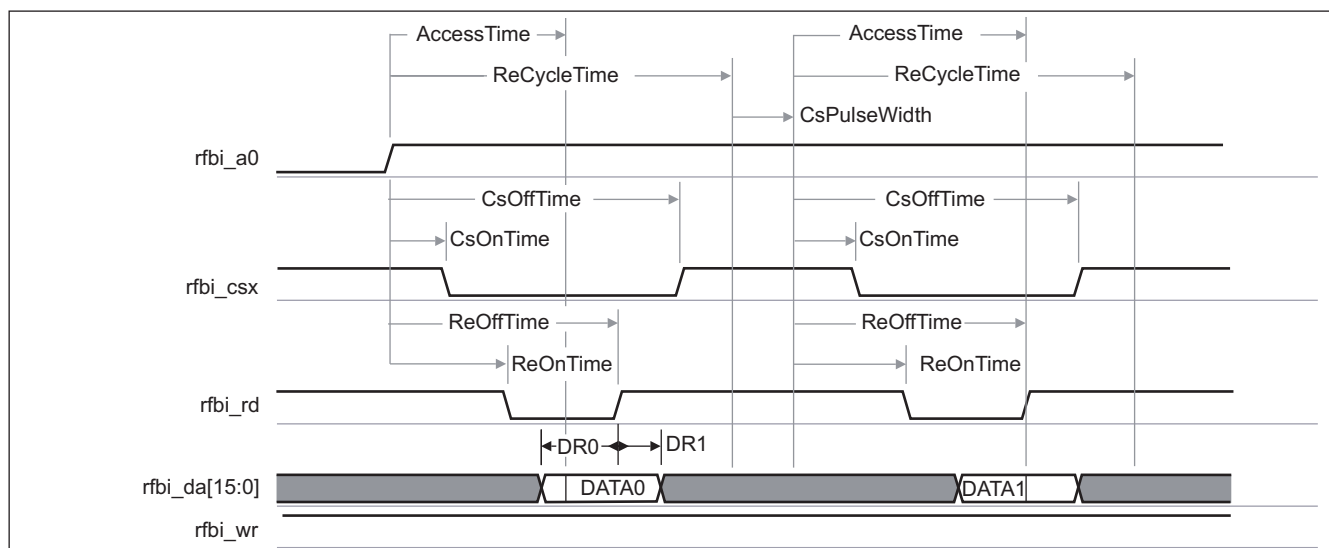




034-002

**Figure 6-30. LCD Display Interface in RFBI Mode – Command / Data Write Mode<sup>(1)(2)</sup>**

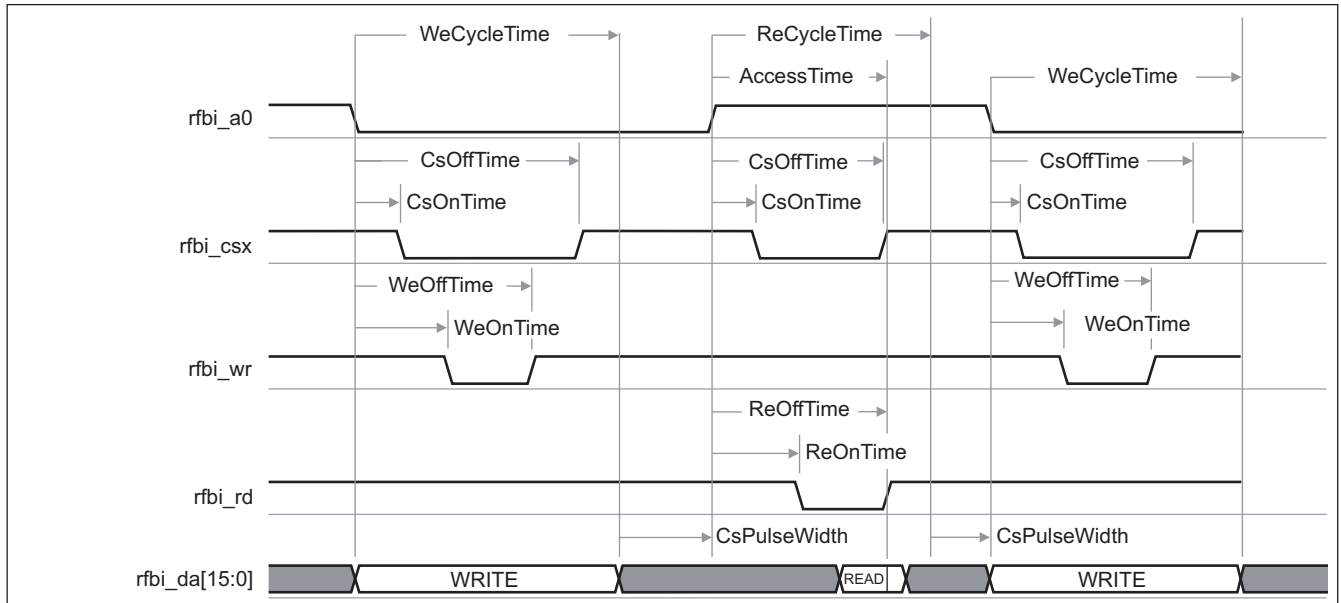
- (1) In rfb\_i\_csx, x is equal to 0 or 1.
- (2) For more information, see the DSS chapter of the *OMAP35x Technical Reference Manual (TRM)* [literature number [SPRUF98](#)].



034-003

**Figure 6-31. LCD Display Interface in RFBI Mode – Data Read Mode<sup>(1)(2)</sup>**

- (1) In rfb\_i\_csx, x is equal to 0 or 1.
- (2) For more information, see the DSS chapter of the *OMAP35x Technical Reference Manual (TRM)* [literature number [SPRUF98](#)].



034-004

**Figure 6-32. LCD Display Interface in RFBI Mode – Data Read-to-Write and Write-to-Read Modes<sup>(1)(2)</sup>**

- (1) In *rfb\_i\_csx*, x is equal to 0 or 1.
- (2) For more information, see the DSS chapter of the *OMAP35x Technical Reference Manual (TRM)* [literature number [SPRUF98](#)].

PRODUCT PREVIEW

## 6.6 Serial Communications Interfaces

### 6.6.1 Multichannel Buffered Serial Port (McBSP) Timing

There are five McBSP modules called McBSP1 through McBSP5. McBSP provides a full-duplex, direct serial interface between the OMAP3530/25 device and other devices in a system such as other application devices or codecs. It can accommodate a wide range of peripherals and clocked frame-oriented protocols (I2S, PCM, and TDM) due to its high level of versatility.

The McBSP1-5 modules may support two types of data transfer at the system level:

- The full-cycle mode, for which one clock period is used to transfer the data, generated on one edge and captured on the same edge (one clock period later).
- The half-cycle mode, for which one half clock period is used to transfer the data, generated on one edge and captured on the opposite edge (one half clock period later). Note that a new data is generated only every clock period, which secures the required hold time.

The interface clock (CLKX/CLKR) activation edge (data/frame sync capture and generation) has to be configured accordingly with the external peripheral (activation edge capability) and the type of data transfer required at the system level.

The OMAP3530/25 McBSP1-5 timing characteristics are described for both rising and falling activation edges. McBSP1 supports:

- 6-pin mode: dx and dr as data pins; clkx, clkr, fsx, and fsr as control pins.
- 4-pin mode: dx and dr as data pins; clkx and fsx pins as control pins. The clkx and fsx pins are internally looped back via software configuration, respectively, to the clkr and fsr internal signals for data receive.

McBSP2, 3, 4, and 5 support only the 4-pin mode.

The following sections describe the timing characteristics for applications in normal mode (that is, OMAP3530/25 McBSPx connected to one peripheral) and TDM applications in multipoint mode.

#### 6.6.1.1 McBSP in Normal Mode

**Table 6-42. McBSP Timing Conditions—Normal Mode**

TIMING CONDITION PARAMETER		VALUE	UNIT
<b>Input Conditions</b>			
$t_R$	Input signal rise time	2	ns
$t_F$	Input signal fall time	2	ns
<b>Output Conditions</b>			
$C_{LOAD}$	Output load capacitance	10	pF

**Table 6-43. McBSP Output Clock Pulse Duration**

NO.	PARAMETER		1.15 V		1.0 V		UNIT
			MIN	MAX	MIN	MAX	
	$t_{W(CLKH)}$	Typical pulse duration, mcbsp1_clkr / mcbsp <sub>x</sub> _clkx high <sup>(1)</sup>	0.5*P <sup>(2)</sup>		0.5*P <sup>(2)</sup>		ns
	$t_{W(CLKL)}$	Typical pulse duration, mcbsp1_clkr / mcbsp <sub>x</sub> _clkx low <sup>(1)</sup>	0.5*P <sup>(2)</sup>		0.5*P <sup>(2)</sup>		ns
	$t_{dc(CLK)}$	Duty cycle error, mcbsp1_clkr / mcbsp <sub>x</sub> _clkx <sup>(1)</sup>	-0.75	0.75	-0.75	0.75	ns

(1) In mcbsp<sub>x</sub>, x identifies the McBSP number: 1, 2, 3, 4, or 5.

(2) P = mcbsp1\_clkr / mcbsp<sub>x</sub>\_clkx clock period.

### 6.6.1.1.1 Receive Timing with Rising Edge as Activation Edge

Table 6-44 through Table 6-49 assume testing over the recommended operating conditions (see Figure 6-33 through Figure 6-34).

**Table 6-44. McBSP1, 2, and 3 (Sets #2 and #3) Timing Requirements – Rising Edge and Receive Mode<sup>(1)</sup>**

NO.	PARAMETER			1.15 V		1.0 V		UNIT
				MIN	MAX	MIN	MAX	
B3	$t_{su(DRV-CLKAE)}$	Setup time, mcbsp <sub>x</sub> _dr valid before mcbsp1_clk <sub>r</sub> / mcbsp <sub>x</sub> _clk <sub>x</sub> active edge	Master	3.5		7.7		ns
			Slave	3.7		7.9		ns
B4	$t_h(CLKAE-DRV)$	Hold time, mcbsp <sub>x</sub> _dr valid after mcbsp1_clk <sub>r</sub> / mcbsp <sub>x</sub> _clk <sub>x</sub> active edge	Master	1		1		ns
			Slave	0.4		0.4		ns
B5	$t_{su(FSV-CLKAE)}$	Setup time, mcbsp1_fsr / mcbsp <sub>x</sub> _fsx valid before mcbsp1_clk <sub>r</sub> / mcbsp <sub>x</sub> _clk <sub>x</sub> active edge		3.7		7.9		ns
B6	$t_h(CLKAE-FSV)$	Hold time, mcbsp1_fsr / mcbsp <sub>x</sub> _fsx valid after mcbsp1_clk <sub>r</sub> / mcbsp <sub>x</sub> _clk <sub>x</sub> active edge		0.5		0.5		ns

(1) In mcbsp<sub>x</sub>, x identifies the McBSP number: 1, 2, or 3. Note that for the McBSP3, these timings concern only Set #2 (multiplexing mode on UART pins) and Set #3 (multiplexing mode on McBSP1 pins).

**Table 6-45. McBSP1, 2, and 3 (Sets #2 and #3) Switching Characteristics – Rising Edge and Receive Mode<sup>(1)</sup>**

NO.	PARAMETER		1.15 V		1.0 V		UNIT
			MIN	MAX	MIN	MAX	
B2	$t_d(CLKAE-FSV)$	Delay time, mcbsp1_clk <sub>r</sub> / mcbsp <sub>x</sub> _clk <sub>x</sub> active edge to mcbsp1_fsr / mcbsp <sub>x</sub> _fsx valid	0.7	14.8	0.7	29.6	ns

(1) In mcbsp<sub>x</sub>, x identifies the McBSP number: 1, 2, or 3. Note that for the McBSP3, these timings concern only Set #2 (multiplexing mode on UART pins) and Set #3 (multiplexing mode on McBSP1 pins).

**Table 6-46. McBSP4 (Set #1) Timing Requirements – Rising Edge and Receive Mode<sup>(1)</sup>**

NO.	PARAMETER			1.15 V		1.0 V		UNIT
				MIN	MAX	MIN	MAX	
B3	$t_{su(DRV-CLKXAE)}$	Setup time, mcbsp <sub>x</sub> _dr valid before mcbsp <sub>x</sub> _clk <sub>x</sub> active edge	Master	2.7		7.7		ns
			Slave	3.7		7.9		ns
B4	$t_h(CLKXAE-DRV)$	Hold time, mcbsp <sub>x</sub> _dr valid after mcbsp <sub>x</sub> _clk <sub>x</sub> active edge	Master	1		1		ns
			Slave	0.4		0.4		ns
B5	$t_{su(FSXV-CLKXAE)}$	Setup time mcbsp <sub>x</sub> _fsx valid before mcbsp <sub>x</sub> _clk <sub>x</sub> active edge		3.7		7.9		ns
B6	$t_h(CLKXAE-FSXV)$	Hold Time mcbsp <sub>x</sub> _fsx valid after mcbsp <sub>x</sub> _clk <sub>x</sub> active edge		0.5		0.5		ns

(1) In mcbsp<sub>x</sub>, x identifies the McBSP number: 4. Note that for the McBSP4, these timings concern only Set #1: multiplexing mode by default. The McBSP4 is also multiplexed on GPMC pins (Set #2): the corresponding timings are specified in Table 6-48 and Table 6-49

**Table 6-47. McBSP4 (Set #1) Switching Characteristics – Rising Edge and Receive Mode<sup>(1)</sup>**

NO.	PARAMETER		1.15 V		1.0 V		UNIT
			MIN	MAX	MIN	MAX	
B2	$t_d(CLKXAE-FSXV)$	Delay time, mcbsp <sub>x</sub> _clk <sub>x</sub> active edge to mcbsp <sub>x</sub> _fsx valid	0.7	16.6	0.7	33.1	ns

(1) In mcbsp<sub>x</sub>, x identifies the McBSP number: 4. Note that for the McBSP4, these timings concern only Set #1: multiplexing mode by default. The McBSP4 is also multiplexed on GPMC pins (Set #2): the corresponding timings are specified in Table 6-48 and Table 6-49

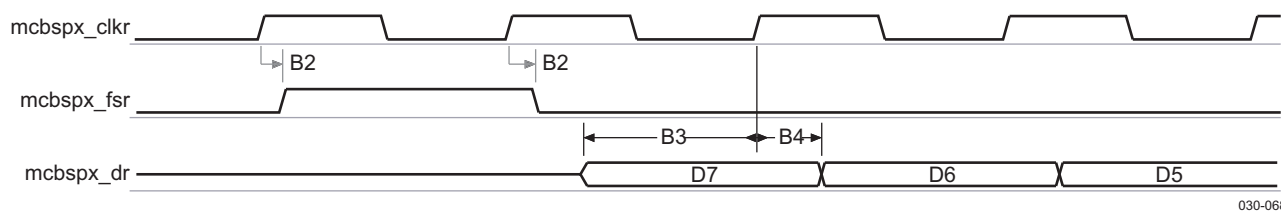
**Table 6-48. McBSP3 (Set #1), 4 (Set #2), and 5 Timing Requirements – Rising Edge and Receive Mode<sup>(1)</sup>**

NO.	PARAMETER			1.15 V		1.0 V		UNIT
				MIN	MAX	MIN	MAX	
B3	$t_{su}(DRV-CLKXAE)$	Setup time, mcbbsp_x_dr valid before mcbbsp_x_clkx active edge	Master	5.6		12		ns
			Slave	5.8		12.2		ns
B4	$t_h(CLKXAE-DRV)$	Hold time, mcbbsp_x_dr valid after mcbbsp_x_clkx active edge	Master	1		1		ns
			Slave	0.4		0.4		ns
B5	$t_{su}(FSXV-CLKXAE)$	Setup time, mcbbsp_x_fsx valid before mcbbsp_x_clkx active edge		5.8		12.2		ns
B6	$t_h(CLKXAE-FSXV)$	Hold time, mcbbsp_x_fsx valid after mcbbsp_x_clkx active edge		0.5		0.5		ns

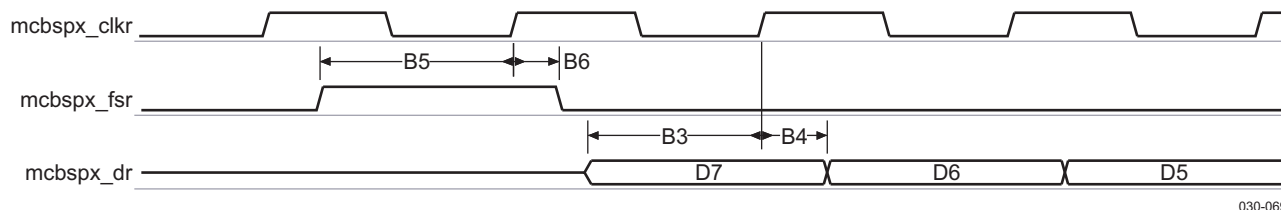
(1) In mcbbsp\_x, x identifies the McBSP number: 3, 4, or 5. Note that for the McBSP3, these timings concern only Set #1: multiplexing mode by default. The McBSP3 is also multiplexed on UART pins (Set #2) and on McBSP1 pins (Set #3): the corresponding timings are specified in Table 6-46 and Table 6-47. For the McBSP4, these timings concern only Set #2 (multiplexing mode on GPMC pins).

**Table 6-49. McBSP3 (Set #1), 4 (Set #2), and 5 Switching Requirements – Rising Edge and Receive Mode<sup>(1)</sup>**

NO.	PARAMETER		1.15 V		1.0 V		UNIT
			MIN	MAX	MIN	MAX	
B2	$t_d(CLKXAE-FSXV)$	Delay time, mcbbsp_x_clkx active edge to mcbbsp_x_fsx valid	0.7	22.2	0.7	44.4	ns



**Figure 6-33. McBSP Rising Edge Receive Timing in Master Mode**



**Figure 6-34. McBSP Rising Edge Receive Timing in Slave Mode**

(1) In mcbbsp\_x, x identifies the McBSP number: 3, 4, or 5. Note that for the McBSP3, these timings concern only Set #1: multiplexing mode by default. The McBSP3 is also multiplexed on UART pins (Set #2) and on McBSP1 pins (Set #3): the corresponding timings are specified in Table 6-46 and Table 6-47. For the McBSP4, these timings concern only Set #2 (multiplexing mode on GPMC pins).

**6.6.1.1.2 Transmit Timing with Rising Edge as Activation Edge**

Table 6-50 through Table 6-55 assume testing over the recommended operating conditions (see Figure 6-35 and Figure 6-36).

**Table 6-50. McBSP1, 2, and 3 (Sets #2 and #3) Timing Requirements – Rising Edge and Transmit Mode<sup>(1)</sup>**

NO.	PARAMETER		1.15 V		1.0 V		UNIT
			MIN	MAX	MIN	MAX	
B5	$t_{su}(FSXV-CLKXAE)$	Setup time, mcbbsp_x_fsx valid before mcbbsp_x_clkx active edge	3.7		7.9		ns

(1) In mcbbsp\_x, x identifies the McBSP number: 1, 2, or 3. Note that for the McBSP3, these timings concern only Set #2 (multiplexing mode on UART pins) and Set #3 (multiplexing mode on McBSP1 pins).

**Table 6-50. McBSP1, 2, and 3 (Sets #2 and #3) Timing Requirements – Rising Edge and Transmit Mode (continued)**

NO.	PARAMETER		1.15 V		1.0 V		UNIT
			MIN	MAX	MIN	MAX	
B6	$t_{h(CLKXAE-FSXV)}$	Hold time, mcbsp <sub>x</sub> _fsx valid after mcbsp <sub>x</sub> _clkx active edge	0.5		0.5		ns

**Table 6-51. McBSP1, 2, and 3 (Sets #2 and #3) Switching Characteristics – Rising Edge and Transmit Mode<sup>(1)</sup>**

NO.	PARAMETER		1.15 V		1.0 V		UNIT	
			MIN	MAX	MIN	MAX		
B2	$t_{d(CLKXAE-FSXV)}$	Delay time, mcbsp <sub>x</sub> _clkx active edge to mcbsp <sub>x</sub> _fsx valid	0.7	14.8	0.7	29.6	ns	
B8	$t_{d(CLKXAE-DXV)}$	Delay time, mcbsp <sub>x</sub> _clkx active edge to mcbsp <sub>x</sub> _dx valid	Master	0.6	14.8	0.6	29.6	ns
			Slave	0.6	14.8	0.6	29.6	ns

(1) In mcbsp<sub>x</sub>, x identifies the McBSP number: 1, 2, or 3. Note that for the McBSP3, these timings concern only Set #2 (multiplexing mode on UART pins) and Set #3 (multiplexing mode on McBSP1 pins).

**Table 6-52. McBSP4 (Set #1) Timing Requirements – Rising Edge and Transmit Mode<sup>(1)</sup>**

NO.	PARAMETER		1.15 V		1.0 V		UNIT
			MIN	MAX	MIN	MAX	
B5	$t_{su(FSXV-CLKXAE)}$	Setup time, mcbsp <sub>x</sub> _fsx valid before mcbsp <sub>x</sub> _clkx active edge	3.7		7.9		ns
B6	$t_{h(CLKXAE-FSXV)}$	Hold time, mcbsp <sub>x</sub> _fsx valid after mcbsp <sub>x</sub> _clkx active edge	0.5		0.5		ns

(1) In mcbsp<sub>x</sub>, x identifies the McBSP number: 4. Note that for the McBSP4, these timings concern only Set #1: multiplexing mode by default. The McBSP4 is also multiplexed on GPMC pins (Set #2): the corresponding timings are specified in [Table 6-54](#).

**Table 6-53. McBSP4 (Set #1) Switching Characteristics – Rising Edge and Transmit Mode<sup>(1)</sup>**

NO.	PARAMETER		1.15 V		1.0 V		UNIT	
			MIN	MAX	MIN	MAX		
B2	$t_{d(CLKXAE-FSXV)}$	Delay time, mcbsp <sub>x</sub> _clkx active edge to mcbsp <sub>x</sub> _fsx valid	0.7	16.6	0.7	33.1	ns	
B8	$t_{d(CLKXAE-DXV)}$	Delay time, mcbsp <sub>x</sub> _clkx active edge to mcbsp <sub>x</sub> _dx valid	Master	0.6	16.6	0.6	33.1	ns
			Slave	0.6	17.3	0.6	33.1	ns

(1) In mcbsp<sub>x</sub>, x identifies the McBSP number: 4. Note that for the McBSP4, these timings concern only Set #1: multiplexing mode by default. The McBSP4 is also multiplexed on GPMC pins (Set #2): the corresponding timings are specified in [Table 6-54](#).

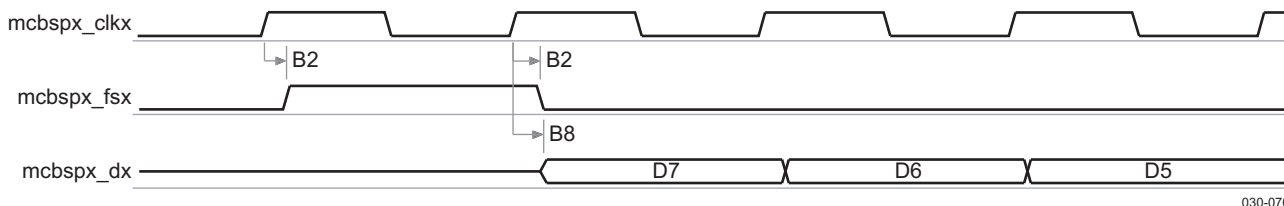
**Table 6-54. McBSP3 (Set #1), 4 (Set #2), and 5 Timing Requirements – Rising Edge and Transmit Mode<sup>(1)</sup>**

NO.	PARAMETER		1.15 V		1.0 V		UNIT
			MIN	MAX	MIN	MAX	
B5	$t_{su(FSXV-CLKXAE)}$	Setup time, mcbsp <sub>x</sub> _fsx valid before mcbsp <sub>x</sub> _clkx active edge	5.8		12.2		ns
B6	$t_{h(CLKXAE-FSXV)}$	Hold time, mcbsp <sub>x</sub> _fsx valid after mcbsp <sub>x</sub> _clkx active edge	0.5		0.5		ns

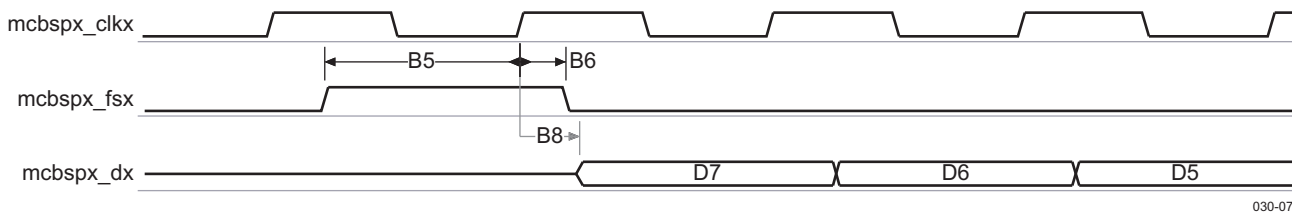
(1) In mcbsp<sub>x</sub>, x identifies the McBSP number: 4. Note that for the McBSP4, these timings concern only Set #1: multiplexing mode by default. The McBSP4 is also multiplexed on GPMC pins (Set #2): the corresponding timings are specified in [Table 6-54](#).

**Table 6-55. McBSP 3 (Set #1), 4 (Set #2), and 5 Switching Requirements – Rising Edge and Transmit Mode<sup>(1)</sup>**

NO.	PARAMETER		1.15 V		1.0 V		UNIT	
			MIN	MAX	MIN	MAX		
B2	$t_{d(CLKXAE-FSXV)}$	Delay time, mcbsp <sub>x</sub> _clkx active edge to mcbsp <sub>x</sub> _fsx valid	0.7	22.2	0.7	44.4	ns	
B8	$t_{d(CLKXAE-DXV)}$	Delay time, mcbsp <sub>x</sub> _clkx active edge to mcbsp <sub>x</sub> _dx valid	Master	0.6	22.2	0.6	44.4	ns
			Slave	0.6	22.2	0.6	44.4	ns



**Figure 6-35. McBSP Rising Edge Transmit Timing in Master Mode**



**Figure 6-36. McBSP Rising Edge Transmit Timing in Slave Mode**

(1) In mcbsp<sub>x</sub>, x identifies the McBSP number: 3, 4 or 5. Note that for the McBSP3, these timings concern only Set #1: multiplexing mode by default. The McBSP3 is also multiplexed on UART pins (Set #2) and on McBSP1 pins (Set #3): the corresponding timings are specified in the table above. For the McBSP4, these timings concern only Set #2 (multiplexing mode on GPMC pins).

**6.6.1.1.3 Receive Timing with Falling Edge as Activation Edge**

Table 6-56 through Table 6-61 assume testing over the recommended operating conditions (see Figure 6-37 and Figure 6-38).

**Table 6-56. McBSP1, 2, and 3 (Sets #2 and #3) Timing Requirements – Falling Edge and Receive Mode<sup>(1)</sup>**

NO.	PARAMETER		1.15 V		1.0 V		UNIT
			MIN	MAX	MIN	MAX	
B3	$t_{su(DRV-CLKAE)}$	Setup time, mcbsp <sub>x</sub> _dr valid before mcbsp1_clkr / mcbsp <sub>x</sub> _clkx active edge	Master	3.5		7.7	ns
			Slave	3.7		7.9	ns
B4	$t_h(CLKAE-DRV)$	Hold time, mcbsp <sub>x</sub> _dr valid after mcbsp1_clkr / mcbsp <sub>x</sub> _clkx active edge	Master	1		1	ns
			Slave	0.4		0.4	ns
B5	$t_{su(FSV-CLKAE)}$	Setup time, mcbsp1_fsr / mcbsp <sub>x</sub> _fsx valid before mcbsp1_clkr / mcbsp <sub>x</sub> _clkx active edge	3.7		7.9	ns	
B6	$t_h(CLKAE-FSV)$	Hold time, mcbsp1_fsr / mcbsp <sub>x</sub> _fsx valid after mcbsp1_clkr / mcbsp <sub>x</sub> _clkx active edge	0.5		0.5	ns	

(1) In mcbsp<sub>x</sub>, x identifies the McBSP number: 1, 2, or 3. Note that for the McBSP3, these timings concern only Set #2 (multiplexing mode on UART pins) and Set #3 (multiplexing mode on McBSP1 pins).

**Table 6-57. McBSP1, 2, and 3 (Sets #2 and #3) Switching Characteristics – Falling Edge and Receive Mode<sup>(1)</sup>**

NO.	PARAMETER		1.15 V		1.0 V		UNIT
			MIN	MAX	MIN	MAX	
B2	$t_{d(CLKAE-FSV)}$	Delay time, mcbbsp1_clk / mcbbsp_clkx active edge to mcbbsp1_fsr / mcbbsp_fsx valid	0.7	14.8	0.7	29.6	ns

(1) In mcbbsp, x identifies the McBSP number: 1, 2, or 3. Note that for the McBSP3, these timings concern only Set #2 (multiplexing mode on UART pins) and Set #3 (multiplexing mode on McBSP1 pins).

**Table 6-58. McBSP4 (Set #1) Timing Requirements – Falling Edge and Receive Mode<sup>(1)</sup>**

NO.	PARAMETER		1.15 V		1.0 V		UNIT
			MIN	MAX	MIN	MAX	
B3	$t_{su(DRV-CLKXAE)}$	Setup time, mcbbsp_dr valid before mcbbsp_clkx active edge	Master	2.7		7.7	ns
			Slave	3.7		7.9	ns
B4	$t_h(CLKXAE-DRV)$	Hold time, mcbbsp_dr valid after mcbbsp_clkx active edge	Master	1		1	ns
			Slave	0.4		0.4	ns
B5	$t_{su(FSXV-CLKXAE)}$	Setup time mcbbsp_fsx valid before mcbbsp_clkx active edge	3.7		7.9	ns	
B6	$t_h(CLKXAE-FSXV)$	Hold time mcbbsp_fsx valid after mcbbsp_clkx active edge	0.5		0.5	ns	

(1) In mcbbsp, x identifies the McBSP number: 4. Note that for the McBSP4, these timings concern only Set #1: multiplexing mode by default. The McBSP4 is also multiplexed on GPMC pins (Set #2): the corresponding timings are specified in [Table 6-60](#)

**Table 6-59. McBSP4 (Set #1) Switching Characteristics – Falling Edge and Receive Mode<sup>(1)</sup>**

NO.	PARAMETER		1.15 V		1.0 V		UNIT
			MIN	MAX	MIN	MAX	
B2	$t_{d(CLKXAE-FSXV)}$	Delay time, mcbbsp_clkx active edge to mcbbsp_fsx valid	0.7	16.6	0.7	33.1	ns

(1) In mcbbsp, x identifies the McBSP number: 4. Note that for the McBSP4, these timings concern only Set #1: multiplexing mode by default. The McBSP4 is also multiplexed on GPMC pins (Set #2): the corresponding timings are specified in [Table 6-60](#)

**Table 6-60. McBSP3 (Set #1), 4 (Set #2), and 5 Timing Requirements – Falling Edge and Receive Mode<sup>(1)</sup>**

NO.	PARAMETER		1.15 V		1.0 V		UNIT
			MIN	MAX	MIN	MAX	
B3	$t_{su(DRV-CLKXAE)}$	Setup time, mcbbsp_dr valid before mcbbsp_clkx active edge	Master	5.6		12	ns
			Slave	5.8		12.2	ns
B4	$t_h(CLKXAE-DRV)$	Hold time, mcbbsp_dr valid after mcbbsp_clkx active edge	Master	1		1	ns
			Slave	0.4		0.4	ns
B5	$t_{su(FSXV-CLKXAE)}$	Setup time, mcbbsp_fsx valid before mcbbsp_clkx active edge	5.8		12.2	ns	
B6	$t_h(CLKXAE-FSXV)$	Hold time, mcbbsp_fsx valid after mcbbsp_clkx active edge	0.5		0.5	ns	

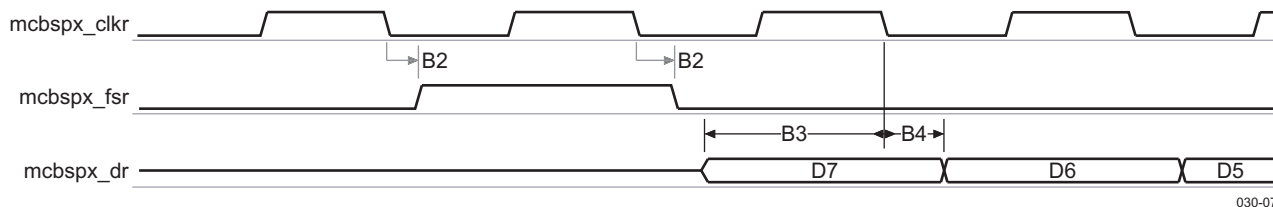
(1) In mcbbsp, x identifies the McBSP number: 3, 4, or 5. Note that for the McBSP3, these timings concern only Set #1: multiplexing mode by default. The McBSP3 is also multiplexed on UART pins (Set #2) and on McBSP1 pins (Set #3): the corresponding timings are specified in the table above. For the McBSP4, these timings concern only Set #2 (multiplexing mode on GPMC pins).



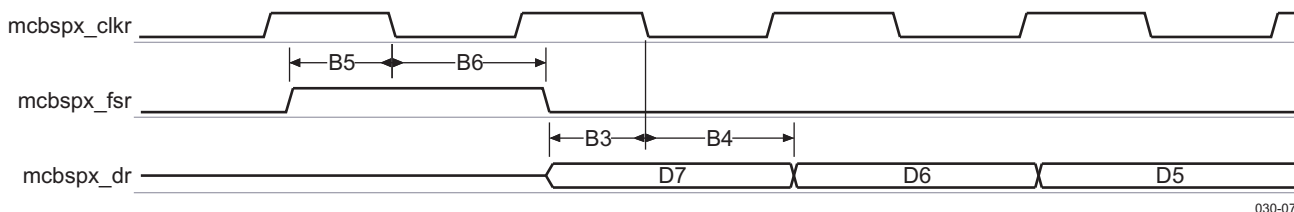
**Table 6-61. McBSP3 (Set #1), 4 (Set #2), and 5 Switching Requirements – Falling Edge and Receive Mode<sup>(1)</sup>**

NO.	PARAMETER		1.15 V		1.0 V		UNIT
			MIN	MAX	MIN	MAX	
B2	$t_{d(CLKXAE-FSXV)}$	Delay time, mcbsp <sub>x</sub> _clkx active edge to mcbsp <sub>x</sub> _fsx valid	0.7	22.2	0.7	44.4	ns

(1) In mcbsp<sub>x</sub>, x identifies the McBSP number: 3, 4, or 5. Note that for the McBSP3, these timings concern only Set #1: multiplexing mode by default. The McBSP3 is also multiplexed on UART pins (Set #2) and on McBSP1 pins (Set #3): the corresponding timings are specified in the table above. For the McBSP4, these timings concern only Set #2 (multiplexing mode on GPMC pins).



**Figure 6-37. McBSP Falling Edge Receive Timing in Master Mode**



**Figure 6-38. McBSP Falling Edge Receive Timing in Slave Mode**

**6.6.1.1.4 Transmit Timing with Falling Edge as Activation Edge**

Table 6-62 through Table 6-67 assume testing over the recommended operating conditions (see Figure 6-39 and Figure 6-40).

**Table 6-62. McBSP1, 2, and 3 (Sets #2 and #3) Timing Requirements – Falling Edge and Transmit Mode<sup>(1)</sup>**

NO.	PARAMETER		1.15 V		1.0 V		UNIT
			MIN	MAX	MIN	MAX	
B5	$t_{su(FSXV-CLKXAE)}$	Setup time, mcbsp <sub>x</sub> _fsx valid before mcbsp <sub>x</sub> _clkx active edge	3.7		7.9		ns
B6	$t_{h(CLKXAE-FSXV)}$	Hold time, mcbsp <sub>x</sub> _fsx valid after mcbsp <sub>x</sub> _clkx active edge	0.5		0.5		ns

(1) In mcbsp<sub>x</sub>, x identifies the McBSP number: 1, 2, or 3. Note that for the McBSP3, these timings concern only Set #2 (multiplexing mode on UART pins) and Set #3 (multiplexing mode on McBSP1 pins).

**Table 6-63. McBSP1, 2, and 3 (Sets #2 and #3) Switching Characteristics – Falling Edge and Transmit Mode<sup>(1)</sup>**

NO.	PARAMETER		1.15 V		1.0 V		UNIT
			MIN	MAX	MIN	MAX	
B2	$t_{d(CLKXAE-FSXV)}$	Delay time, mcbsp <sub>x</sub> _clkx active edge to mcbsp <sub>x</sub> _fsx valid	0.7	14.8	0.7	29.6	ns
B8	$t_{d(CLKXAE-DXV)}$	Master	0.6	14.8	0.6	29.6	ns
		Slave	0.6	14.8	0.6	29.6	ns

(1) In mcbsp<sub>x</sub>, x identifies the McBSP number: 1, 2, or 3. Note that for the McBSP3, these timings concern only Set #2 (multiplexing mode on UART pins) and Set #3 (multiplexing mode on McBSP1 pins).

**Table 6-64. McBSP4 (Set #1) Timing Requirements – Falling Edge and Transmit Mode<sup>(1)</sup>**

NO.	PARAMETER		1.15 V		1.0 V		UNIT
			MIN	MAX	MIN	MAX	
B5	$t_{su(FSXV-CLKXAE)}$	Setup time, mcbsp_x_fsx valid before mcbsp_x_clkx active edge	3.7		7.9		ns
B6	$t_h(CLKXAE-FSXV)$	Hold time, mcbsp_x_fsx valid after mcbsp_x_clkx active edge	0.5		0.5		ns

(1) In mcbsp\_x, x identifies the McBSP number: 4. Note that for the McBSP4, these timings concern only Set #1: multiplexing mode by default. The McBSP4 is also multiplexed on GPMC pins (Set #2): the corresponding timings are specified in Table 6-66.

**Table 6-65. McBSP4 (Set #1) Switching Characteristics – Falling Edge and Transmit Mode<sup>(1)</sup>**

NO.	PARAMETER		1.15 V		1.0 V		UNIT	
			MIN	MAX	MIN	MAX		
B2	$t_d(CLKXAE-FSXV)$	Delay time, mcbsp_x_clkx active edge to mcbsp_x_fsx valid	0.7	16.6	0.7	33.1	ns	
B8	$t_d(CLKXAE-DXV)$	Delay time, mcbsp_x_clkx active edge to mcbsp_x_dx valid	Master	0.6	16.6	0.6	33.1	ns
			Slave	0.6	17.3	0.6	33.1	ns

(1) In mcbsp\_x, x identifies the McBSP number: 4. Note that for the McBSP4, these timings concern only Set #1: multiplexing mode by default. The McBSP4 is also multiplexed on GPMC pins (Set #2): the corresponding timings are specified in Table 6-66.

**Table 6-66. McBSP3 (Set #1), 4 (Set #2), and 5 Timing Requirements – Falling Edge and Transmit Mode<sup>(1)</sup>**

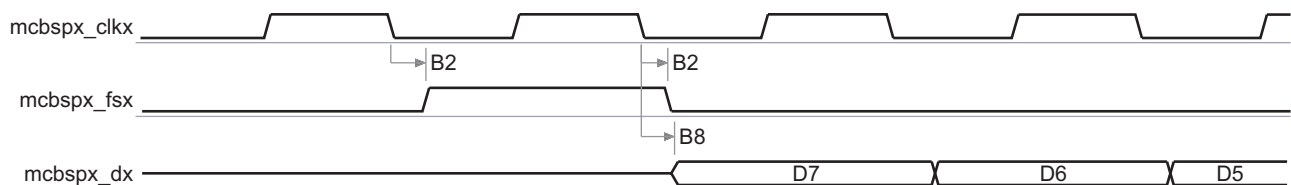
NO.	PARAMETER		1.15 V		1.0 V		UNIT
			MIN	MAX	MIN	MAX	
B5	$t_{su(FSXV-CLKXAE)}$	Setup time, mcbsp_x_fsx valid before mcbsp_x_clkx active edge	5.8		12.2		ns
B6	$t_h(CLKXAE-FSXV)$	Hold time, mcbsp_x_fsx valid after mcbsp_x_clkx active edge	0.5		0.5		ns

(1) In mcbsp\_x, x identifies the McBSP number: 3, 4, or 5. Note that for the McBSP3, these timings concern only Set #1: multiplexing mode by default. The McBSP3 is also multiplexed on UART pins (Set #2) and on McBSP1 pins (Set #3): the corresponding timings are specified in Table 6-66. For the McBSP4, these timings concern only Set #2 (multiplexing mode on GPMC pins).

**Table 6-67. McBSP3 (Set #1), 4 (Set #2), and 5 Switching Requirements – Falling Edge and Transmit Mode<sup>(1)</sup>**

NO.	PARAMETER		1.15 V		1.0 V		UNIT	
			MIN	MAX	MIN	MAX		
B2	$t_d(CLKXAE-FSXV)$	Delay time, mcbsp_x_clkx active edge to mcbsp_x_fsx valid	0.7	22.2	0.7	44.4	ns	
B8	$t_d(CLKXAE-DXV)$	Delay time, mcbsp_x_clkx active edge to mcbsp_x_dx valid	Master	0.6	22.2	0.6	44.4	ns
			Slave	0.6	22.2	0.6	44.4	ns

(1) In mcbsp\_x, x identifies the McBSP number: 3, 4, or 5. Note that for the McBSP3, these timings concern only Set #1: multiplexing mode by default. The McBSP3 is also multiplexed on UART pins (Set #2) and on McBSP1 pins (Set #3): the corresponding timings are specified in Table 6-66. For the McBSP4, these timings concern only Set #2 (multiplexing mode on GPMC pins).



030-074

**Figure 6-39. McBSP Falling Edge Transmit Timing in Master Mode**

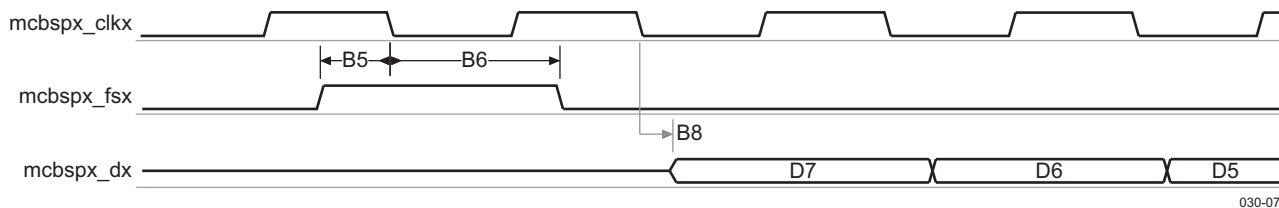


Figure 6-40. McBSP Falling Edge Transmit Timing in Slave Mode

6.6.1.2 McBSP in TDM—Multipoint Mode (McBSP3)

For TDM application in multipoint mode, OMAP3530/25 is considered as a slave. Table 6-69 and Table 6-70 assume testing over the operating conditions and electrical characteristic conditions described below.

Table 6-68. McBSP3 Timing Conditions—TDM in Multipoint Mode

TIMING CONDITION PARAMETER		VALUE		UNIT
		MIN	MAX	
<b>Input Conditions</b>				
$t_R$	Input signal rising time	1.0	8.5	ns
$t_F$	Input signal falling time	1.0	8.5	ns
<b>Output Conditions</b>				
$C_{LOAD}$	Output Load Capacitance		40	pF

Table 6-69. McBSP3 Timing Requirements—TDM in Multipoint Mode<sup>(1)</sup>

NO.	PARAMETER		1.15 V		1.0 V		UNIT
			MIN	MAX	MIN	MAX	
	$t_{W(CLKH)}$	Cycle Time, mcbssp3_clkx	162.8		162.8		ns
	$t_{W(CLKH)}$	Typical Pulse duration, mcbssp3_clkx high	0.5*P <sup>(2)</sup>		0.5*P <sup>(2)</sup>		ns
	$t_{W(CLKL)}$	Typical Pulse duration, mcbssp3_clkx low	0.5*P <sup>(2)</sup>		0.5*P <sup>(2)</sup>		ns
	$t_{dc(CLK)}$	Duty cycle error, mcbssp3_clkx	-8.14	8.14	-8.14	8.14	ns
B3 <sup>(3)</sup>	$t_{su(DRV-CLKAE)}$	Setup time, mcbssp3_dr valid before mcbssp3_clkx active edge	9		9		ns
B4 <sup>(3)</sup>	$t_h(CLKAE-DRV)$	Hold time, mcbssp3_dr valid after mcbssp3_clkx active edge	2.4		2.4		ns
B5 <sup>(3)</sup>	$t_{su(FSV-CLKAE)}$	Setup time, mcbssp3_fsx valid before mcbssp3_clkx active edge	9		9		ns
B6 <sup>(3)</sup>	$t_h(CLKAE-FSV)$	Hold time, mcbssp3_fsx valid after mcbssp3_clkx active edge	2.4		2.4		ns

- (1) For McBSP3, these timings concern only Set #3 (multiplexing mode in McBSP1 pins).
- (2) P = mcbssp3\_clkx period in ns
- (3) See Section 6.6.1.1, *McBSP in Normal Mode* for corresponding figures.

Table 6-70. McBSP3 Switching Characteristics—TDM in Multipoint Mode<sup>(1)</sup>

NO.	PARAMETER		1.15 V		1.0 V		UNIT
			MIN	MAX	MIN	MAX	
B8 <sup>(2)</sup>	$t_{d(CLKXAE-DXV)}$	Delay time, mcbssp3_clkx active edge to mcbssp3_dx valid	0.6	16.8	0.6	29.6	ns

- (1) For McBSP3, these timings concern only Set #3 (multiplexing mode in McBSP1 pins).
- (2) See Section 6.6.1.1, *McBSP in Normal Mode* for corresponding figures.

## 6.6.2 Multichannel Serial Port Interface (McSPI) Timing

The multichannel SPI is a master/slave synchronous serial bus. The McSPI1 module supports up to four peripherals and the others (McSPI2, McSPI3, and McSPI4) support up to two peripherals. The following timings are applicable to the different configurations of McSPI in master/slave mode for any McSPI and any channel (n).

### 6.6.2.1 McSPI in Slave Mode

Table 6-71 and Table 6-72 assume testing over the recommended operating conditions (see Figure 6-41).

**Table 6-71. McSPI Interface Timing Requirements – Slave Mode<sup>(1)(2)</sup>**

NO.	PARAMETER		1.15 V		1.0 V		UNIT
			MIN	MAX	MIN	MAX	
SS0	$t_{c(CLK)}$	Cycle time, mcspix_clk	41.7		83.3		ns
SS1	$t_{w(CLK)}$	Pulse duration, mcspix_clk high or low	$0.45 \cdot P^{(3)}$	$0.55 \cdot P^{(3)}$	$0.45 \cdot P^{(3)}$	$0.55 \cdot P^{(3)}$	ns
SS2	$t_{su(SIMOV-CLKAE)}$	Setup time, mcspix_simo valid before mcspix_clk active edge	4.2		9.5		ns
SS3	$t_{h(SIMOV-CLKAE)}$	Hold time, mcspix_simo valid after mcspix_clk active edge	4.6		9.9		ns
SS4	$t_{su(CS0V-CLKFE)}$	Setup time, mcspix_cs0 valid before mcspix_clk first edge	13.8		28.6		ns
SS5	$t_{h(CS0I-CLKLE)}$	Hold time, mcspix_cs0 invalid after mcspix_clk last edge	13.8		28.6		ns

(1) The input timing requirements are given by considering a rise time and a fall time of 4 ns.

(2) In mcspix, x is equal to 1, 2, 3, or 4.

(3) P = mcspix\_clk clock period

**Table 6-72. McSPI Interface Switching Requirements<sup>(1)(2)(3)(4)</sup>**

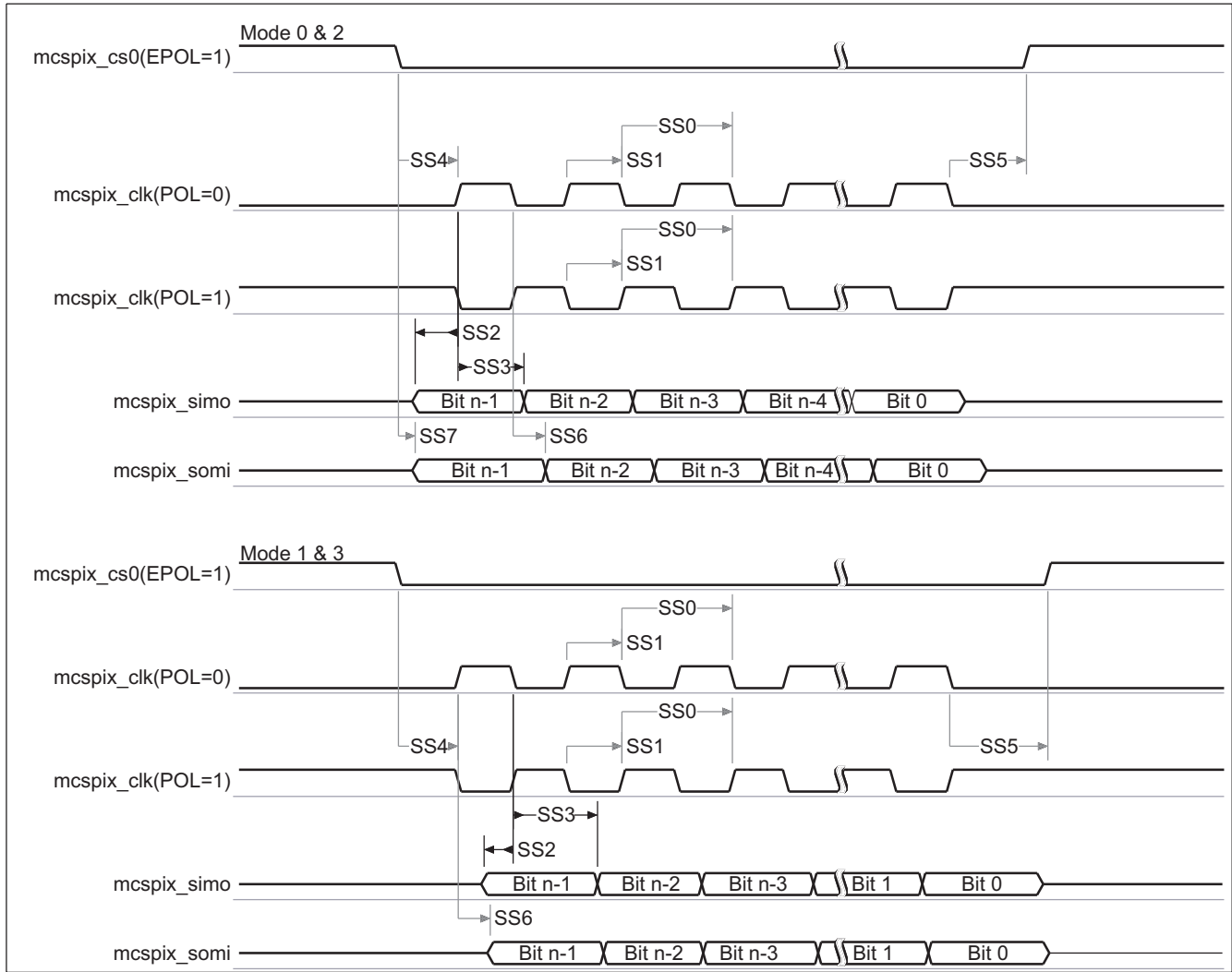
NO.	PARAMETER		1.15 V		1.0 V		UNIT
			MIN	MAX	MIN	MAX	
SS6	$t_{d(CLKAE-SOMIV)}$	Delay time, mcspix_clk active edge to mcspix_somi shifted	1.8	15.9	3.2	31.7	ns
SS7	$t_{d(CS0AE-SOMIV)}$	Delay time, mcspix_cs0 active edge to mcspix_somi shifted		15.9		31.7	ns

(1) The capacitive load is equivalent to 20 pF.

(2) In mcspix, x is equal to 1, 2, 3, or 4.

(3) The polarity of mcspix\_clk and the active edge (rising or falling) on which mcspix\_simo is driven and mcspix\_somi is latched is all software configurable.

(4) This timing applies to all configurations regardless of mcspix\_clk polarity and which clock edges are used to drive output data and capture input data.



030-076

**Figure 6-41. McSPI Interface – Transmit and Receive in Slave Mode<sup>(1)(2)</sup>**

- (1) The active clock edge (rising or falling) on which mcspi\_somi is driven and mcspi\_simo data is latched is software configurable with the bit MSP1\_CHCONFx[0] = PHA and the bit MSP1\_CHCONFx[1] = POL.
- (2) The polarity of mcspix\_csi is software configurable with the bit MSP1\_CHCONFx[6] = EPOL. In mcspix, x is equal to 1, 2, 3, or 4.

**6.6.2.2 McSPI in Master Mode**

Table 6-73 and Table 6-74 assume testing over the recommended operating conditions (see Figure 6-42).

**Table 6-73. McSPI1, 2, and 4 Interface Timing Requirements – Master Mode<sup>(1)(2)</sup>**

NO.	PARAMETER		1.15 V		1.0 V		UNIT
			MIN	MAX	MIN	MAX	
SM2	$t_{su(SOMIV-CLKAE)}$	Setup time, mcspix_somi valid before mcspix_clk active edge	1.1		1.5		ns
SM3	$t_{h(SOMIV-CLKAE)}$	Hold time, mcspix_somi valid after mcspix_clk active edge	1.9		2.8		ns

- (1) The input timing requirements are given by considering a rise time and a fall time of 4 ns.
- (2) In mcspix, x is equal to 1, 2, or 4. In mcspix\_csn, n is equal to 0, 1, 2, or 3 for x equal to 1, n is equal to 0 or 1 for x equal to 2 and 4.

**Table 6-74. McSPI1, 2, and 4 Interface Switching Characteristics – Master Mode<sup>(1)(2)(3)</sup>**

NO.	PARAMETER		1.15 V		1.0 V		UNIT
			MIN	MAX	MIN	MAX	
SM0	$t_{c(CLK)}$	Cycle time, mcspix_clk	20.8		41.7		ns
SM1	$t_{w(CLK)}$	Pulse duration, mcspix_clk high or low	$0.45 \cdot P^{(4)}$	$0.55 \cdot P^{(4)}$	$0.45 \cdot P^{(4)}$	$0.55 \cdot P^{(4)}$	ns
SM4	$t_{d(CLKAE-SIMOV)}$	Delay time, mcspix_clk active edge to mcspix_simo shifted	-2.1	5	-2.1	11.3	ns
SM5	$t_{d(CSnA-CLKFE)}$	Delay time, mcspix_csi active to mcspix_clk first edge	Modes 1 and 3	$A^{(5)} - 3.1$	$A^{(5)} - 4.4$		ns
			Modes 0 and 2	$B^{(6)} - 3.1$	$B^{(6)} - 4.4$		ns
SM6	$t_{d(CLKLE-CSnI)}$	Delay time, mcspix_clk last edge to mcspix_csi inactive	Modes 1 and 3	$B^{(6)} - 3.1$	$B^{(6)} - 4.4$		ns
			Modes 0 and 2	$A^{(5)} - 3.1$	$A^{(5)} - 4.4$		ns
SM7	$t_{d(CSnAE-SIMOV)}$	Delay time, mcspix_csi active edge to mcspix_simo shifted		5.0		11.3	ns

- (1) Timings are given for a maximum load capacitance of 20 pF for spix\_csn signals, 30 pF for spix\_clk and spix\_simo signals with x = 1 or 2, and 20 pF for spi4\_clk and spi4\_simo signals.
- (2) In mcspix, x is equal to 1, 2, or 4. In mcspix\_csn, n is equal to 0, 1, 2, or 3 for x equal to 1, n is equal to 0 or 1 for x equal to 2 and 4.
- (3) The polarity of mcspix\_clk and the active edge (rising or falling) on which mcspix\_simo is driven and mcspix\_somi is latched is all software configurable.
- (4) P = mcspix\_clk clock period
- (5) Case P = 20.8 ns, A = (TCS+0.5)\*P (TCS is a bit field of MSPI\_CHCONFx[26:25] register). Case P > 20.8 ns, A = TCS\*P (TCS is a bitfield of MSPI\_CHCONFx[26:25] register). For more information, see the McSPI chapter of the *OMAP35x Technical Reference Manual (TRM)* [literature number [SPRU98](#)].
- (6) B = TCS\*P (TCS is a bit field of MSPI\_CHCONFx[26:25] register). For more information, see the McSPI chapter of the *OMAP35x Technical Reference Manual (TRM)* [literature number [SPRU98](#)].

Table 6-75 and Table 6-76 assume testing over the recommended operating conditions (see Figure 6-42).

**Table 6-75. McSPI 3 Interface Timing Requirements – Master Mode<sup>(1)(2)</sup>**

NO.	PARAMETER		1.15 V		1.0 V		UNIT
			MIN	MAX	MIN	MAX	
SM2	$t_{su(SOMIV-CLKAE)}$	Setup time, mcspi3_somi valid before mcspi3_clk active edge	1.5		4.3		ns
SM3	$t_{h(SOMIV-CLKAE)}$	Hold time, mcspi3_somi valid after mcspi3_clk active edge	2.8		5.9		ns

- (1) The input timing requirements are given by considering a rise time and a fall time of 4 ns.
- (2) In mcspi3\_csn, n is equal to 0 or 1. The polarity of mcspi3\_clk and the active edge (rising or falling) on which mcspi3\_simo is driven and mcspi3\_somi is latched is all software configurable.

**Table 6-76. McSPI3 Interface Switching Requirements – Master Mode<sup>(1)(2)(3)</sup>**

NO.	PARAMETER		1.15 V		1.0 V		UNIT
			MIN	MAX	MIN	MAX	
SM0	$t_{c(CLK)}$	Cycle time, mcspix_clk	41.7		83.3		ns
SM1	$t_{w(CLK)}$	Pulse duration, mcspix_clk high or low	$0.45 \cdot P^{(4)}$	$0.55 \cdot P^{(4)}$	$0.45 \cdot P^{(4)}$	$0.55 \cdot P^{(4)}$	ns
SM4	$t_{d(CLKAE-SIMOV)}$	Delay time, mcspix_clk active edge to mcspix_simo shifted	-2.1	11.3	-5.3	23.6	ns

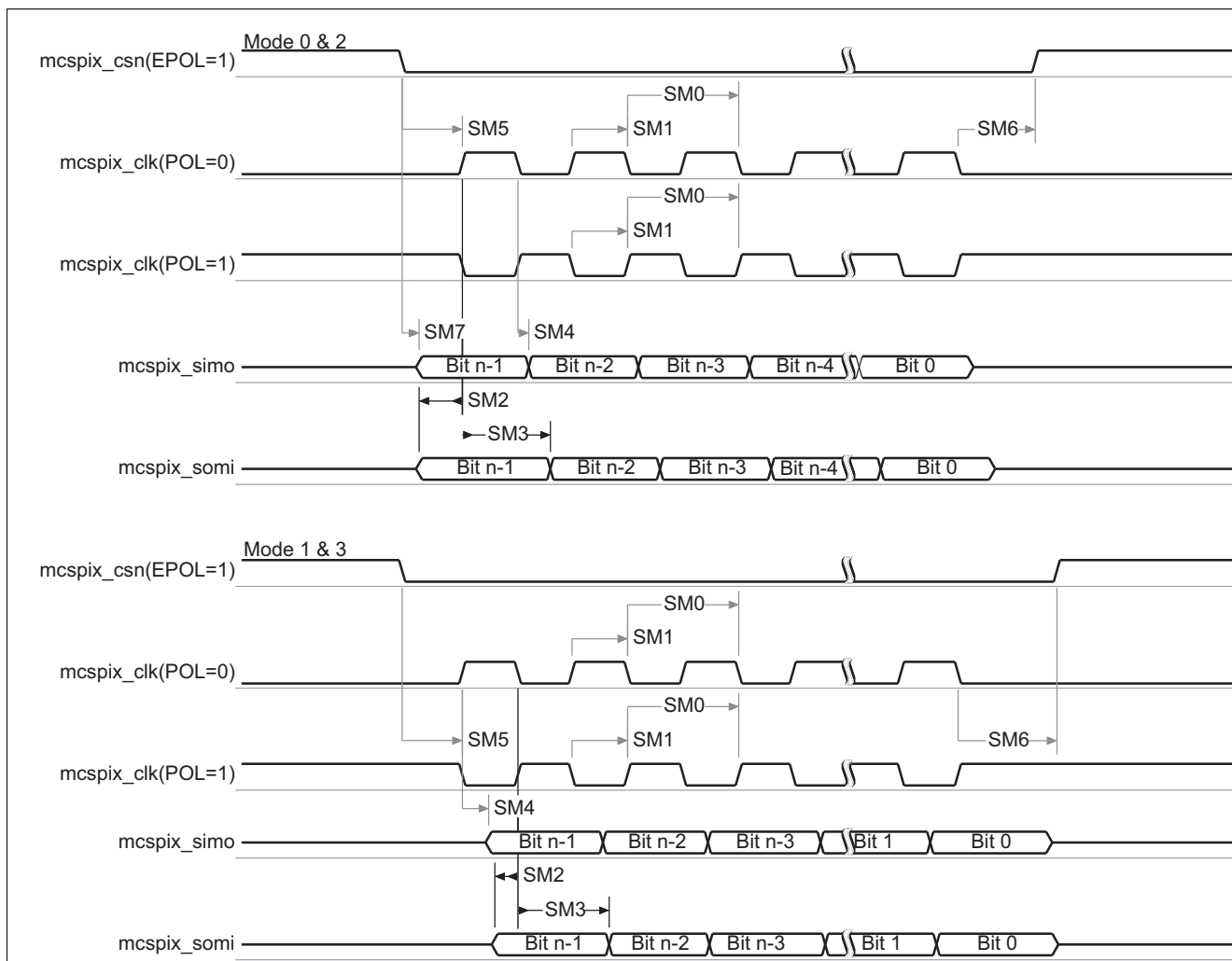
- (1) The capacitive load is equivalent to 20 pF.
- (2) In mcspi3\_csn, n is equal to 0 or 1. The polarity of mcspi3\_clk and the active edge (rising or falling) on which mcspi3\_simo is driven and mcspi3\_somi is latched is all software configurable.
- (3) This timing applies to all configurations regardless of McSPI3\_CLK polarity and which clock edges are used to drive output data and capture input data.
- (4) P = mcspi3\_clk clock period

Table 6-76. McSPI3 Interface Switching Requirements – Master Mode (continued)

NO.	PARAMETER			1.15 V		1.0 V		UNIT
				MIN	MAX	MIN	MAX	
SM5	$t_{d(CSnA-CLKFE)}$	Delay time, mcspix_csi active to mcspix_clk first edge	Modes 1 and 3	$-4.4 + A^{(5)}$		$-10.1 + A^{(5)}$		ns
			Modes 0 and 2	$-4.4 + B^{(6)}$		$-10.1 + B^{(6)}$		ns
SM6	$t_{d(CLKLE-CSnI)}$	Delay time, mcspix_clk last edge to mcspix_csi inactive	Modes 1 and 3	$-4.4 + A^{(5)}$		$-10.1 + A^{(5)}$		ns
			Modes 0 and 2	$-4.4 + B^{(6)}$		$-10.1 + B^{(6)}$		ns
SM7	$t_{d(CSnAE-SIMOV)}$	Delay time, mcspix_csi active edge to mcspix_simo shifted	Modes 0 and 2		11.3		23.6	ns

(5) Case P = 20.8 ns, A = (TCS + 0.5)\*P (TCS is a bit field of MSPI\_CHCONFx[26:25] register). Case P > 20.8 ns, A = TCS\*P (TCS is a bit field of MSPI\_CHCONFx[26:25] register). For more information, see the McSPI chapter of the *OMAP35x Technical Reference Manual (TRM)* [literature number [SPRU98](#)].

(6) B = TCS\*P (TCS is a bit field of MSPI\_CHCONFx[26:25] register). For more information, see the McSPI chapter of the *OMAP35x Technical Reference Manual (TRM)* [literature number [SPRU98](#)].



030-077

Figure 6-42. McSPI Interface – Transmit and Receive in Master Mode<sup>(1)(2)(3)</sup>

(1) The active clock edge (rising or falling) on which mcspix\_simo is driven and mcspi\_somi data is latched is software configurable with the bit MSPI\_CHCONFx[0] = PHA and the bit MSPI\_CHCONFx[1] = POL.

## OMAP3530/25 Applications Processor

SPRS507B–FEBRUARY 2008–REVISED JULY 2008

[www.ti.com](http://www.ti.com)

- (2) The polarity of `mcspx_csi` is software configurable with the bit `MSPI_CHCONFx[6] = EPOL`.
- (3) In `mcspx`, `x` is equal to 1. In `mcspx_csn`, `n` is equal to 0, 1, 2, or 3.

PRODUCT PREVIEW



### 6.6.3 Multiport Full-Speed Universal Serial Bus (USB) Interface

The OMAP3530/25 processor provides three USB ports working in full- and low-speed data transactions (up to 12Mbit/s).

Connected to either a serial link controller (TLL modes) or a serial PHY (PHY interface modes) it supports:

- 6-pin (Tx: Dat/Se0 or Tx: Dp/Dm) unidirectional mode
- 4-pin bidirectional mode
- 3-pin bidirectional mode

#### 6.6.3.1 Multiport Full-Speed Universal Serial Bus (USB) – Unidirectional Standard 6-pin Mode

Table 6-78 and Table 6-79 assume testing over the recommended operating conditions (see Figure 6-43).

**Table 6-77. Low-/Full-Speed USB Timing Conditions – Unidirectional Standard 6-pin Mode**

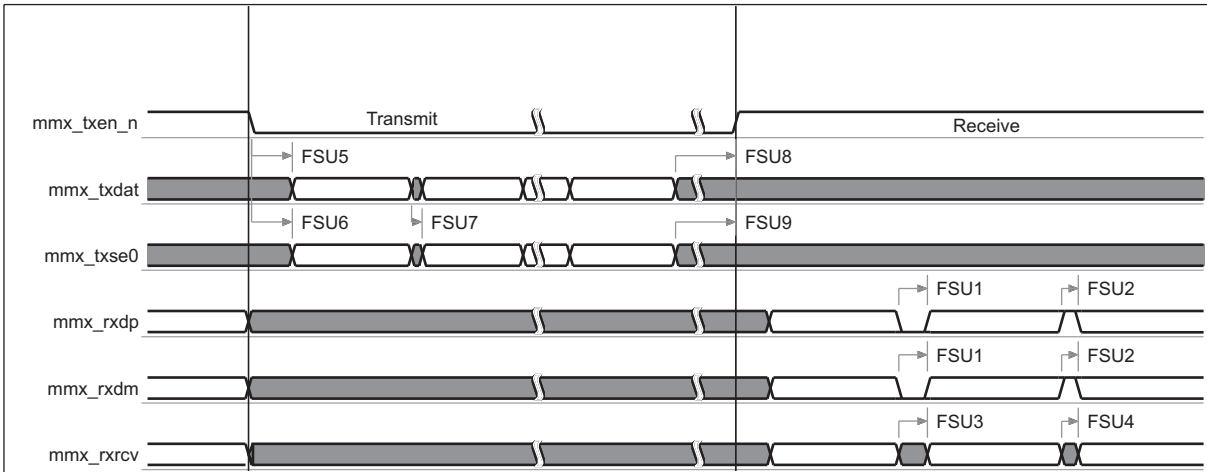
TIMING CONDITION PARAMETER		VALUE	UNIT
<b>Input Conditions</b>			
$t_R$	Input signal rise time	2.0	ns
$t_F$	Input signal fall time	2.0	ns
<b>Output Conditions</b>			
$C_{LOAD}$	Output load capacitance	15.0	pF

**Table 6-78. Low-/Full-Speed USB Timing Requirements – Unidirectional Standard 6-pin Mode**

NO.	PARAMETER		1.15 V		1.0 V		UNIT
			MIN	MAX	MIN	MAX	
FSU1	$t_d(V_p, V_m)$	Time duration, mmx_rxdp and mmx_rxdm low together during transition		14.0		14.0	ns
FSU2	$t_d(V_p, V_m)$	Time duration, mmx_rxdp and mmx_rxdm high together during transition		8.0		8.0	ns
FSU3	$t_d(RCVU0)$	Time duration, mmx_rrxcv undefine during a single end 0 (mmx_rxdp and mmx_rxdm low together)		14.0		14.0	ns
FSU4	$t_d(RCVU1)$	Time duration, mmx_rrxcv undefine during a single end 1 (mmx_rxdp and mmx_rxdm high together)		8.0		8.0	ns

**Table 6-79. Low-/Full-Speed USB Switching Characteristics – Unidirectional Standard 6-pin Mode**

NO.	PARAMETER		1.15 V		1.0 V		UNIT
			MIN	MAX	MIN	MAX	
FSU5	$t_d(TXENL-DATV)$	Delay time, mmx_txen_n low to mmx_txdat valid	81.8	84.8	81.8	84.8	ns
FSU6	$t_d(TXENL-SE0V)$	Delay time, mmx_txen_n low to mmx_txse0 valid	81.8	84.8	81.8	84.8	ns
FSU7	$t_s(DAT-SE0)$	Skew between mmx_txdat and mmx_txse0 transition		1.5		1.5	ns
FSU8	$t_d(DATI-TXENH)$	Delay time, mmx_txdat invalid to mmx_txen_n high	81.8		81.8		ns
FSU9	$t_d(SE0I-TXENH)$	Delay time, mmx_txse0 invalid to mmx_txen_n high	81.8		81.8		ns
	$t_R(do)$	Rise time, mmx_txen_n		4.0		4.0	ns
	$t_F(do)$	Fall time, mmx_txen_n		4.0		4.0	ns
	$t_R(do)$	Rise time, mmx_txdat		4.0		4.0	ns
	$t_F(do)$	Fall time, mmx_txdat		4.0		4.0	ns
	$t_R(do)$	Rise time, mmx_txse0		4.0		4.0	ns
	$t_F(do)$	Fall time, mmx_txse0		4.0		4.0	ns



030-080

In mmx, x is equal to 0, 1, or 2.

**Figure 6-43. Low-/Full-Speed USB – Unidirectional Standard 6-pin Mode**

**6.6.3.2 Multiport Full-Speed Universal Serial Bus (USB) – Bidirectional Standard 4-pin Mode**

Table 6-81 and Table 6-82 assume testing over the recommended operating conditions (see Figure 6-44).

**Table 6-80. Low-/Full-Speed USB Timing Conditions – Bidirectional Standard 4-pin Mode**

TIMING CONDITION PARAMETER		VALUE	UNIT
<b>Input Conditions</b>			
$t_R$	Input signal rise time	2.0	ns
$t_F$	Input signal fall time	2.0	ns
<b>Output Conditions</b>			
$C_{LOAD}$	Output load capacitance	15.0	pF

**Table 6-81. Low-/Full-Speed USB Timing Requirements – Bidirectional Standard 4-pin Mode**

NO.	PARAMETER		1.15 V		1.0 V		UNIT
			MIN	MAX	MIN	MAX	
FSU10	$t_{d(DAT,SE0)}$	Time duration, mmx_txdat and mmx_txse0 low together during transition		14.0		14.0	ns
FSU11	$t_{d(DAT,SE0)}$	Time duration, mmx_txdat and mmx_txse0 high together during transition		8.0		8.0	ns
FSU12	$t_{d(RCVU0)}$	Time duration, mmx_rxcv undefine during a single end 0 (mmx_txdat and mmx_txse0 low together)		14.0		14.0	ns
FSU13	$t_{d(RCVU1)}$	Time duration, mmx_rxcv undefine during a single end 1 (mmx_txdat and mmx_txse0 high together)		8.0		8.0	ns

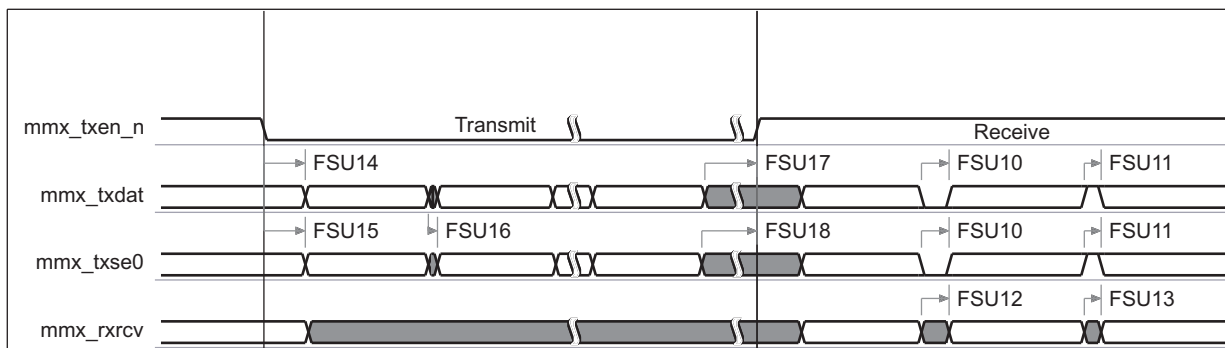
**Table 6-82. Low-/Full-Speed USB Switching Characteristics – Bidirectional Standard 4-pin Mode**

NO.	PARAMETER		1.15 V		1.0 V		UNIT
			MIN	MAX	MIN	MAX	
FSU14	$t_{d(TXENL-DATV)}$	Delay time, mmx_txen_n low to mmx_txdat valid	81.8	84.8	81.8	84.8	ns
FSU15	$t_{d(TXENL-SE0V)}$	Delay time, mmx_txen_n low to mmx_txse0 valid	81.8	84.8	81.8	84.8	ns
FSU16	$t_{s(DAT-SE0)}$	Skew between mmx_txdat and mmx_txse0 transition		1.5		1.5	ns
FSU17	$t_{d(DATV-TXENH)}$	Delay time, mmx_txdat invalid before mmx_txen_n high	81.8		81.8		ns

PRODUCT PREVIEW

**Table 6-82. Low-/Full-Speed USB Switching Characteristics – Bidirectional Standard 4-pin Mode (continued)**

NO.	PARAMETER		1.15 V		1.0 V		UNIT
			MIN	MAX	MIN	MAX	
FSU18	$t_{d(SE0V-TXENH)}$	Delay time, mmx_txse0 invalid before mmx_txen_n high	81.8		81.8		ns
	$t_{R(txen)}$	Rise time, mmx_txen_n		4.0		4.0	ns
	$t_{F(txen)}$	Fall time, mmx_txen_n		4.0		4.0	ns
	$t_{R(dat)}$	Rise time, mmx_txdat		4.0		4.0	ns
	$t_{F(dat)}$	Fall time, mmx_txdat		4.0		4.0	ns
	$t_{R(se0)}$	Rise time, mmx_txse0		4.0		4.0	ns
	$t_{F(se0)}$	Fall time, mmx_txse0		4.0		4.0	ns



In mmx, x is equal to 0, 1, or 2.

**Figure 6-44. Low-/Full-Speed USB – Bidirectional Standard 4-pin Mode**

PRODUCT PREVIEW

**6.6.3.3 Multiport Full-Speed Universal Serial Bus (USB) – Bidirectional Standard 3-pin Mode**

Table 6-84 and Table 6-85 assume testing over the recommended operating conditions below (see Figure 6-45).

**Table 6-83. Low-/Full-Speed USB Timing Conditions – Bidirectional Standard 3-pin Mode**

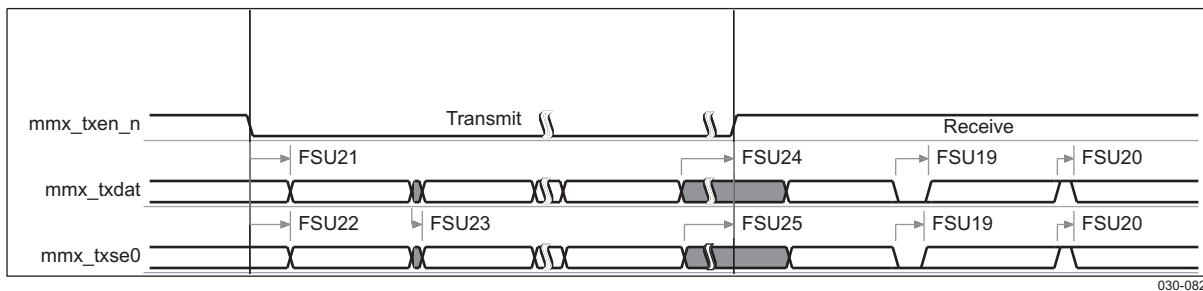
TIMING CONDITION PARAMETER		VALUE	UNIT
<b>Input Conditions</b>			
$t_R$	Input signal rise time	2.0	ns
$t_F$	Input signal fall time	2.0	ns
<b>Output Conditions</b>			
$C_{LOAD}$	Output load capacitance	15.0	pF

**Table 6-84. Low-/Full-Speed USB Timing Requirements – Bidirectional Standard 3-pin Mode**

NO.	PARAMETER		1.15 V		1.0 V		UNIT
			MIN	MAX	MIN	MAX	
FSU19	$t_{d(DAT,SE0)}$	Time duration, mmx_txdat and mmx_txse0 low together during transition		14.0		14.0	ns
FSU20	$t_{d(DAT,SE0)}$	Time duration, mmx_txdat and mmx_txse0 high together during transition		8.0		8.0	ns

**Table 6-85. Low-/Full-Speed USB Switching Characteristics – Bidirectional Standard 3-pin Mode**

NO.	PARAMETER		1.15 V		1.0 V		UNIT
			MIN	MAX	MIN	MAX	
FSU21	$t_{d(TXENL-DATV)}$	Delay time, mmx_txen_n low to mmx_txdat valid	81.8	84.8	81.8	84.8	ns
FSU22	$t_{d(TXENL-SE0V)}$	Delay time, mmx_txen_n low to mmx_txse0 valid	81.8	84.8	81.8	84.8	ns
FSU23	$t_{s(DAT-SE0)}$	Skew between mmx_txdat and mmx_txse0 transition		1.5		1.5	ns
FSU24	$t_{d(DATI-TXENH)}$	Delay time, mmx_txdat invalid to mmx_txen_n high	81.8		81.8		ns
FSU25	$t_{d(SE0I-TXENH)}$	Delay time, mmx_txse0 invalid to mmx_txen_n high	81.8		81.8		ns
	$t_{R(do)}$	Rise time, mmx_txen_n		4.0		4.0	ns
	$t_{F(do)}$	Fall time, mmx_txen_n		4.0		4.0	ns
	$t_{R(do)}$	Rise time, mmx_txdat		4.0		4.0	ns
	$t_{F(do)}$	Fall time, mmx_txdat		4.0		4.0	ns
	$t_{R(do)}$	Rise time, mmx_txse0		4.0		4.0	ns
	$t_{F(do)}$	Fall time, mmx_txse0		4.0		4.0	ns



In mmx, x is equal to 0, 1, or 2.

**Figure 6-45. Low-/Full-Speed USB – Bidirectional Standard 3-pin Mode**

**6.6.3.4 Multiport Full-Speed Universal Serial Bus (USB) – Unidirectional TLL 6-pin Mode**

Table 6-87 and Table 6-88 assume testing over the recommended operating conditions (see Figure 6-46).

**Table 6-86. Low-/Full-Speed USB Timing Conditions – Unidirectional TLL 6-pin Mode**

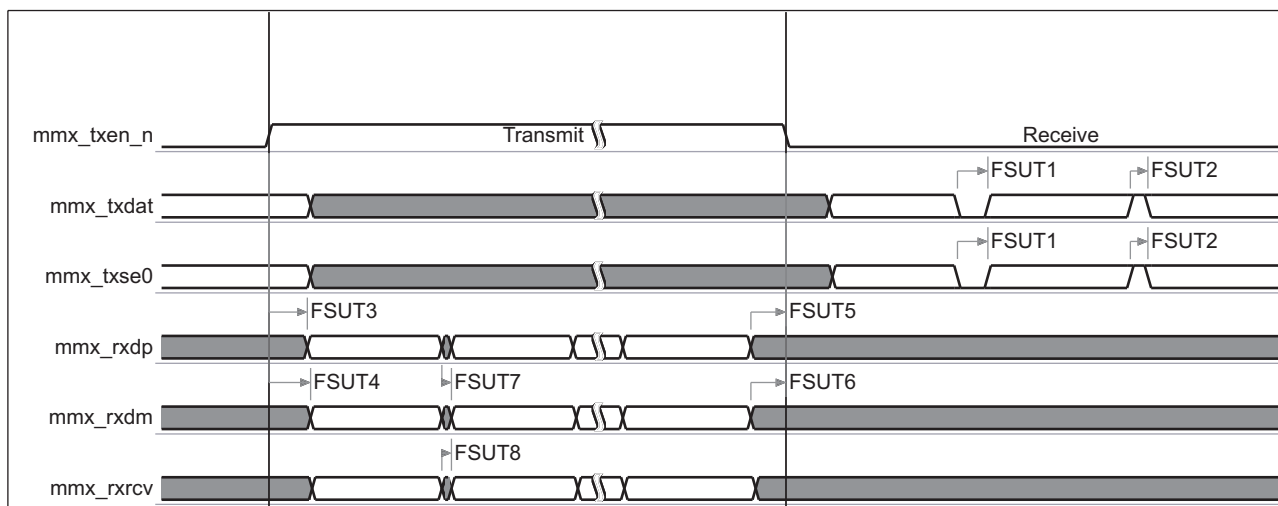
TIMING CONDITION PARAMETER		VALUE	UNIT
<b>Input Conditions</b>			
$t_R$	Input signal rise time	2	ns
$t_F$	Input signal fall time	2	ns
<b>Output Conditions</b>			
$C_{LOAD}$	Output load capacitance	15	pF

**Table 6-87. Low-/Full-Speed USB Timing Requirements – Unidirectional TLL 6-pin Mode**

NO.	PARAMETER		1.15 V		1.0 V		UNIT
			MIN	MAX	MIN	MAX	
FSUT1	$t_{d(SE0,DAT)}$	Time duration, mmx_txse0 and mmx_txdat low together during transition		14		14	ns
FSUT2	$t_{d(SE0,DAT)}$	Time duration, mmx_txse0 and mmx_txdat high together during transition		8		8	ns

**Table 6-88. Low-/Full-Speed USB Switching Characteristics – Unidirectional TLL 6-pin Mode**

NO.	PARAMETER		1.15 V		1.0 V		UNIT
			MIN	MAX	MIN	MAX	
FSUT3	$t_{d(TXENH-DPV)}$	Delay time, mmx_txen_n high to mmx_rxdp valid	81.8	84.8	81.8	84.8	ns
FSUT4	$t_{d(TXENH-DMV)}$	Delay time, mmx_txen_n high to mmx_rxdm valid	81.8	84.8	81.8	84.8	ns
FSUT5	$t_{d(DPI-TXENL)}$	Delay time, mmx_rxdp invalid mmx_txen_n low	81.8		81.8		ns
FSUT6	$t_{d(DMI-TXENL)}$	Delay time, mmx_rxdm invalid mmx_txen_n low	81.8		81.8		ns
FSUT7	$t_{s(DP-DM)}$	Skew between mmx_rxdp and mmx_rxdm transition		1.5		1.5	ns
FSUT8	$t_{s(DP,DM-RCV)}$	Skew between mmx_rxdp, mmx_rxdm, and mmx_rxcv transition		1.5		1.5	ns
	$t_{R(rxrcv)}$	Rise time, mmx_rxcv		4		4	ns
	$t_{F(rxrcv)}$	Fall time, mmx_rxcv		4		4	ns
	$t_{R(dp)}$	Rise time, mmx_rxdp		4		4	ns
	$t_{F(dp)}$	Fall time, mmx_rxdp		4		4	ns
	$t_{R(dm)}$	Rise time, mmx_rxdm		4		4	ns
	$t_{F(dm)}$	Fall time, mmx_rxdm		4		4	ns



In mmx, x is equal to 0, 1, or 2.

**Figure 6-46. Low-/Full-Speed USB – Unidirectional TLL 6-pin Mode**

PRODUCT PREVIEW

**6.6.3.5 Multiport Full-Speed Universal Serial Bus (USB) – Bidirectional TLL 4-pin Mode**

Table 6-90 and Table 6-91 assume testing over the recommended operating conditions (see Figure 6-47).

**Table 6-89. Low-/Full-Speed USB Timing Conditions – Bidirectional TLL 4-pin Mode**

TIMING CONDITION PARAMETER		VALUE	UNIT
<b>Input Conditions</b>			
$t_R$	Input signal rise time	2	ns
$t_F$	Input signal fall time	2	ns
<b>Output Conditions</b>			
$C_{LOAD}$	Output load capacitance	15	pF

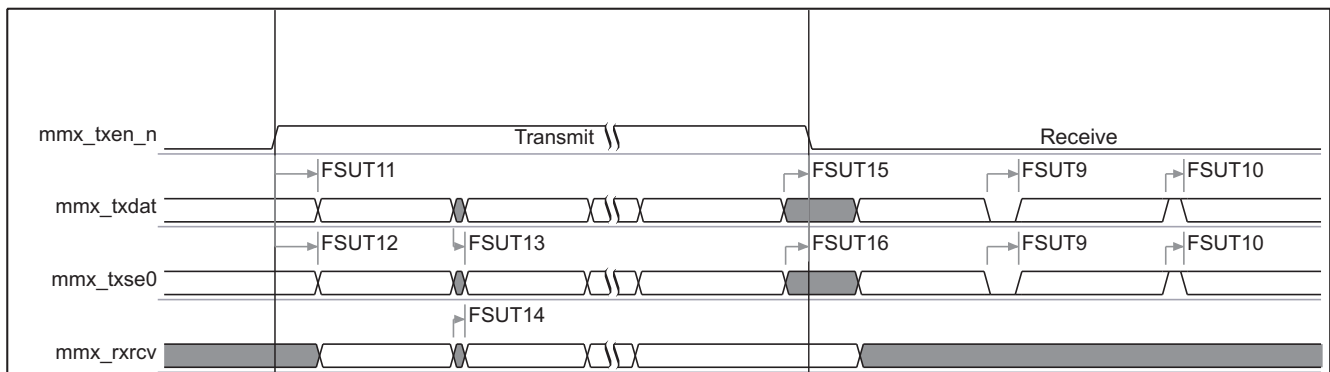
**Table 6-90. Low-/Full-Speed USB Timing Requirements – Bidirectional TLL 4-pin Mode**

NO.	PARAMETER		1.15 V		1.0 V		UNIT
			MIN	MAX	MIN	MAX	
FSUT9	$t_{d(DAT,SE0)}$	Time duration, mmx_txdat and mmx_txse0 low together during transition		14		14	ns
FSUT10	$t_{d(DAT,SE0)}$	Time duration, mmx_tsdats and mmx_txse0 high together during transition		8		8	ns

**Table 6-91. Low-/Full-Speed USB Switching Characteristics – Bidirectional TLL 4-pin Mode**

NO.	PARAMETER		1.15 V		1.0 V		UNIT
			MIN	MAX	MIN	MAX	
FSUT11	$t_{d(TXENL-DATV)}$	Delay time, mmx_txen_n active to mmx_txdat valid	81.8	84.8	81.8	84.8	ns
FSUT12	$t_{d(TXENL-SE0V)}$	Delay time, mmx_txen_n active to mmx_txse0 valid	81.8	84.8	81.8	84.8	ns
FSUT13	$t_{s(DAT-SE0)}$	Skew between mmx_txdat and mmx_txse0 transition		1.5		1.5	ns
FSUT14	$t_{s(DP,DM-RCV)}$	Skew between mmx_rxdp, mmx_rxdm, and mmx_rxcv transition		1.5		1.5	ns
FSUT15	$t_{d(DATI-TXENL)}$	Delay time, mmx_txse0 invalid to mmx_txen_n Low	81.8		81.8		ns
FSUT16	$t_{d(SE0I-TXENL)}$	Delay time, mmx_txdats invalid to mmx_txen_n Low	81.8		81.8		ns
	$t_{R(rcv)}$	Rise time, mmx_rxcv		4		4	ns
	$t_{F(rcv)}$	Fall time, mmx_rxcv		4		4	ns
	$t_{R(dat)}$	Rise time, mmx_txdats		4		4	ns
	$t_{F(dat)}$	Fall time, mmx_txdats		4		4	ns
	$t_{R(se0)}$	Rise time, mmx_txse0		4		4	ns
	$t_{F(se0)}$	Fall time, mmx_txse0		4		4	ns

PRODUCT PREVIEW



030-084

In mmx, x is equal to 0, 1, or 2.

**Figure 6-47. Low-/Full-Speed USB – Bidirectional TLL 4-pin Mode**

**6.6.3.6 Multiport Full-Speed Universal Serial Bus (USB) – Bidirectional TLL 3-pin Mode**

Table 6-93 and Table 6-94 assume testing over the recommended operating conditions (see Figure 6-48).

**Table 6-92. Low-/Full-Speed USB Timing Conditions – Bidirectional TLL 3-pin Mode**

TIMING CONDITION PARAMETER		VALUE	UNIT
<b>Input Conditions</b>			
$t_R$	Input signal rise time	2	ns
$t_F$	Input signal fall time	2	ns

**Table 6-92. Low-/Full-Speed USB Timing Conditions – Bidirectional TLL 3-pin Mode (continued)**

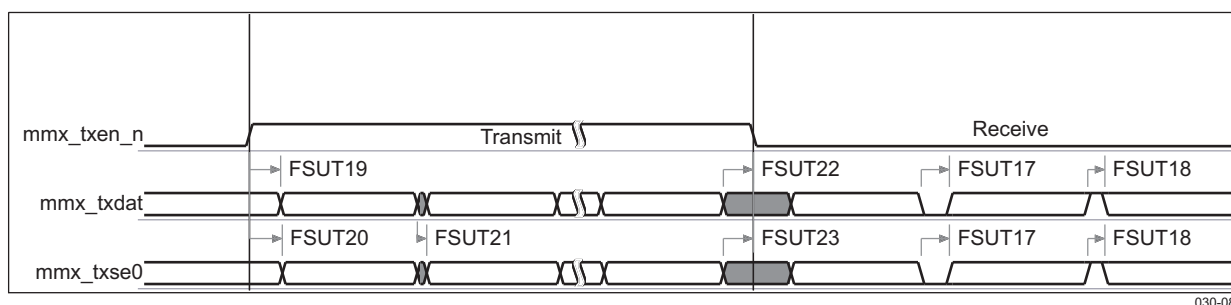
TIMING CONDITION PARAMETER		VALUE	UNIT
<b>Output Conditions</b>			
$C_{LOAD}$	Output load capacitance	15	pF

**Table 6-93. Low-/Full-Speed USB Timing Requirements – Bidirectional TLL 3-pin Mode**

NO.	PARAMETER		1.15 V		1.0 V		UNIT
			MIN	MAX	MIN	MAX	
FSUT17	$t_{d(DAT,SE0)}$	Time duration, mmx_txdat and mmx_txse0 low together during transition		14		14	ns
FSUT18	$t_{d(DAT,SE0)}$	Time duration, mmx_tsdat and mmx_txse0 high together during transition		8		8	ns

**Table 6-94. Low-/Full-Speed USB Switching Characteristics – Bidirectional TLL 3-pin Mode**

NO.	PARAMETER		1.15 V		1.0 V		UNIT
			MIN	MAX	MIN	MAX	
FSUT19	$t_{d(TXENH-DATV)}$	Delay time, mmx_txen_n high to mmx_txdat valid	81.8	84.8	81.8	84.8	ns
FSUT20	$t_{d(TXENH-SE0V)}$	Delay time, mmx_txen_n high to mmx_txse0 valid	81.8	84.8	81.8	84.8	ns
FSUT21	$t_{s(DAT-SE0)}$	Skew between mmx_txdat and mmx_txse0 transition		1.5		1.5	ns
FSUT22	$t_{d(DATI-TXENL)}$	Delay time, mmx_txdat invalid mmx_txen_n low	81.8		81.8		ns
FSUT23	$t_{d(SE0I-TXENL)}$	Delay time, mmx_txse0 invalid mmx_txen_n low	81.8		81.8		ns
	$t_{R(dat)}$	Rise time, mmx_txdat		4		4	ns
	$t_{F(dat)}$	Fall time, mmx_txdat		4		4	ns
	$t_{R(se0)}$	Rise time, mmx_txse0		4		4	ns
	$t_{F(se0)}$	Fall time, mmx_txse0		4		4	ns
	$t_{R(do)}$	Rise time, mmx_txse0		4		4	ns
	$t_{F(do)}$	Fall time, mmx_txse0		4		4	ns



In mmx, x is equal to 0, 1, or 2.

**Figure 6-48. Low-/Full-Speed USB – Bidirectional TLL 3-pin Mode**

### 6.6.4 Multiport High-Speed Universal Serial Bus (USB) Timing

In addition to the full-speed USB controller, a high-speed (HS) USB OTG controller is instantiated inside OMAP3530/25. It allows high-speed transactions (up to 480 Mbit/s) on the USB ports 0, 1, 2, and 3.

- Port 0:
  - 12-bit slave mode (SDR)
- Port 1 and port 2:
  - 12-bit master mode (SDR)
  - 12-bit TLL master mode (SDR)

- 8-bit TLL master mode (DDR)
- Port 3:
  - 12-bit TLL master mode (SDR)
  - 8-bit TLL master mode (DDR)

**6.6.4.1 High-Speed Universal Serial Bus (USB) on Port 0 – 12-bit Slave Mode**

Table 6-96 and Table 6-97 assume testing over the recommended operating conditions (see Figure 6-49).

**Table 6-95. High-Speed USB Timing Conditions – 12-bit Slave Mode**

TIMING CONDITION PARAMETER		VALUE	UNIT
<b>Input Conditions</b>			
$t_r$	Input Signal Rising Time	2.00	ns
$t_f$	Input Signal Falling Time	2.00	ns
<b>Output Conditions</b>			
$C_{load}$	Output Load Capacitance	3.50	pF

**Table 6-96. High-Speed USB Timing Requirements – 12-bit Slave Mode<sup>(1)</sup>**

NO.	PARAMETER		1.15 V		UNIT
			MIN	MAX	
HSU0	$f_p(CLK)$	hsusb0_clk clock frequency <sup>(2)(3)</sup>		60.03	MHz
	$t_j(CLK)$	Cycle Jitter <sup>(3)</sup> , hsub0_clk		500.00	ps
HSU3	$t_s(DIRV-CLKH)$	Setup time, hsub0_dir valid before hsub0_clk rising edge	6.7		ns
	$t_s(NXTV-CLKH)$	Setup time, hsub0_nxt valid before hsub0_clk rising edge	6.7		ns
HSU4	$t_h(CLKH-DIRIV)$	Hold time, hsub0_dir valid after hsub0_clk rising edge	0.0		ns
	$t_h(CLKH-NXT/IV)$	Hold time, hsub0_nxt valid after hsub0_clk rising edge	0.0		ns
HSU5	$t_s(DATAV-CLKH)$	Setup time, hsub0_data[0:7] valid before hsub0_clk rising edge	6.7		ns
HSU6	$t_h(CLKH-DATIV)$	Hold time, hsub0_data[0:7] valid after hsub0_clk rising edge	0.0		ns

- (1) The timing requirements are assured for the cycle jitter error condition specified.  
 (2) Related with the input maximum frequency supported by the I/F module.  
 (3) Maximum cycle jitter supported by clk input clock.

**Table 6-97. High-Speed USB Switching Characteristics – 12-bit Slave Mode**

NO.	PARAMETER		1.15 V		UNIT
			MIN	MAX	
HSU1	$t_d(clkL-STPV)$	Delay time, hsub0_clk high to output usb0_stp valid		9.0	ns
	$t_d(clkL-STPIV)$	Delay time, hsub0_clk high to output usb0_stp invalid	0.5		ns
HSU2	$t_d(clkL-DV)$	Delay time, hsub0_clk high to output hsub0_data[0:7] valid		9.0	ns
	$t_d(clkL-DIV)$	Delay time, hsub0_clk high to output hsub0_data[0:7] invalid	0.5		ns
	$t_r(do)$	Rising time, output signals		2.0	ns
	$t_f(do)$	Falling time, output signals		2.0	ns

PRODUCT PREVIEW



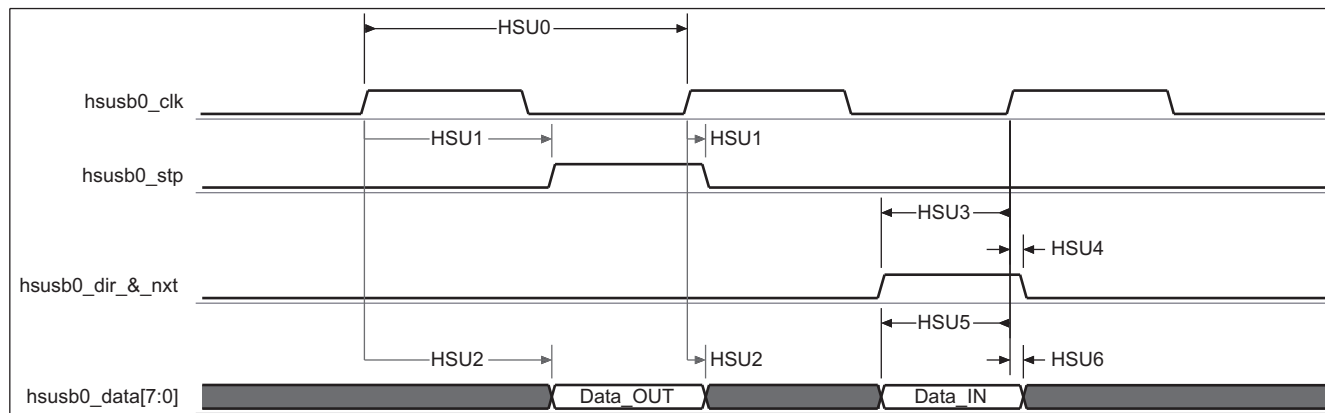


Figure 6-49. High-Speed USB – 12-bit Slave Mode

6.6.4.2 High-Speed Universal Serial Bus (USB) on Ports 1 and 2 – 12-bit Master Mode

Table 6-99 and Table 6-100 assume testing over the recommended operating conditions (see Figure 6-50).

Table 6-98. High-Speed USB Timing Conditions – 12-bit Master Mode

TIMING CONDITION PARAMETER		VALUE	UNIT
<b>Input Conditions</b>			
$t_R$	Input signal rise time	2	ns
$t_F$	Input signal fall time	2	ns
<b>Output Conditions</b>			
$C_{LOAD}$	Output load capacitance	3	pF

Table 6-99. High-Speed USB Timing Requirements – 12-bit Master Mode<sup>(1)</sup>

NO.	PARAMETER		1.15 V		UNIT
			MIN	MAX	
HSU3	$t_{S(DIRV-CLKH)}$	Setup time, hsubx_dir valid before hsubx_clk rising edge	9.3		ns
	$t_{S(NXTV-CLKH)}$	Setup time, hsubx_nxt valid before hsubx_clk rising edge	9.3		ns
HSU4	$t_{H(CLKH-DIRIV)}$	Hold time, hsubx_dir valid after hsubx_clk rising edge	0.2		ns
	$t_{H(CLKH-NXTIV)}$	Hold time, hsubx_nxt valid after hsubx_clk rising edge	0.2		ns
HSU5	$t_{S(DATAV-CLKH)}$	Setup time, hsubx_data[0:7] valid before hsubx_clk rising edge	9.3		ns
HSU6	$t_{H(CLKH-DATIV)}$	Hold time, hsubx_data[0:7] valid after hsubx_clk rising edge	0.2		ns

(1) In hsubx, x is equal to 1 or 2.

Table 6-100. High-Speed USB Switching Characteristics – 12-bit Master Mode<sup>(1)</sup>

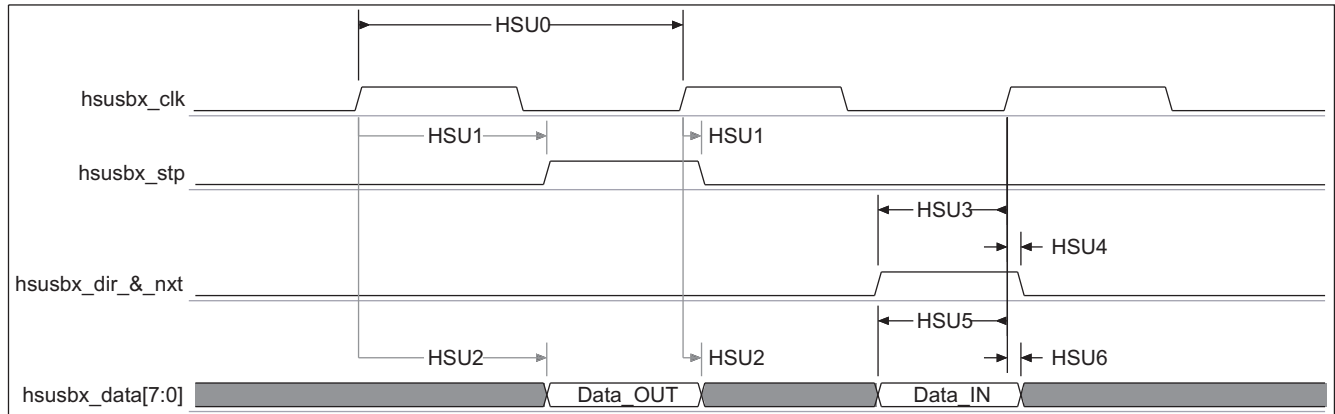
NO.	PARAMETER		1.15 V		UNIT
			MIN	MAX	
HSU0	$f_p(CLK)$	hsubx_clk clock frequency		60	MHz
	$t_j(CLK)$	Jitter standard deviation <sup>(2)</sup> , hsubx_clk		200	ps
HSU1	$t_{d(CLK-STPV)}$	Delay time, hsubx_clk high to output hsubx_stp valid		13	ns
	$t_{d(CLK-STPIV)}$	Delay time, hsubx_clk high to output hsubx_stp invalid	2		ns
HSU2	$t_{d(CLK-DV)}$	Delay time, hsubx_clk high to output hsubx_data[0:7] valid		13	ns
	$t_{d(CLK-DIV)}$	Delay time, hsubx_clk high to output hsubx_data[0:7] invalid	2		ns

(1) In hsubx, x is equal to 1 or 2.

(2) The jitter probability density can be approximated by a Gaussian function.

**Table 6-100. High-Speed USB Switching Characteristics – 12-bit Master Mode (continued)**

N O.	PARAMETER		1.15 V		UNIT
			MIN	MAX	
	$t_{R(do)}$	Rise time, output signals		2	ns
	$t_{F(do)}$	Fall time, output signals		2	ns



030-087

In hsubx, x is equal to 1 or 2.

**Figure 6-50. High-Speed USB – 12-bit Master Mode**

**6.6.4.3 High-Speed Universal Serial Bus (USB) on Ports 1, 2, and 3 – 12-bit TLL Master Mode**

Table 6-102 and Table 6-103 assume testing over the recommended operating conditions (see Figure 6-51).

**Table 6-101. High-Speed USB Timing Conditions – 12-bit TLL Master Mode**

TIMING CONDITION PARAMETER		VALUE	UNIT
<b>Input Conditions</b>			
$t_R$	Input signal rise time	2	ns
$t_F$	Input signal fall time	2	ns
<b>Output Conditions</b>			
$C_{LOAD}$	Output load capacitance	3	pF

**Table 6-102. High-Speed USB Timing Requirements – 12-bit TLL Master Mode<sup>(1)</sup>**

NO.	PARAMETER		1.15 V		UNIT
			MIN	MAX	
HSU2	$t_{s(STPV-CLKH)}$	Setup time, hsubx_tll_stp valid before hsubx_tll_clk rising edge	6		ns
HSU3	$t_{s(CLKH-STPIV)}$	Hold time, hsubx_tll_stp valid after hsubx_tll_clk rising edge	0		ns
HSU4	$t_{s(DATAV-CLKH)}$	Setup time, hsubx_tll_data[7:0] valid before hsubx_tll_clk rising edge	6		ns
HSU5	$t_{h(CLKH-DATIV)}$	Hold time, hsubx_tll_data[7:0] valid after hsubx_tll_clk rising edge	0		ns

(1) In hsubx, x is equal to 1, 2, or 3.

**Table 6-103. High-Speed USB Switching Characteristics – 12-bit TLL Master Mode<sup>(1)</sup>**

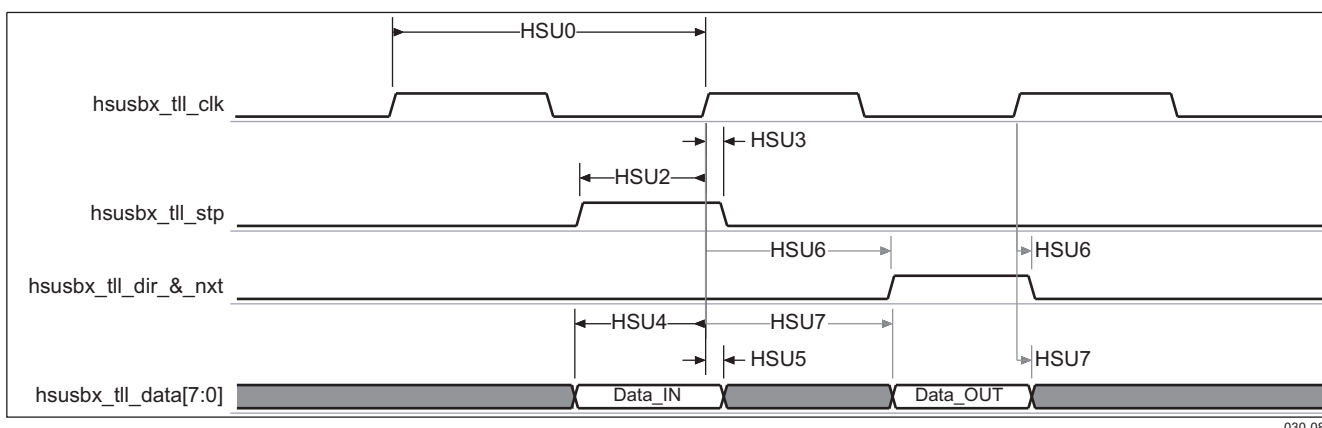
NO.	PARAMETER		1.15 V		UNIT
			MIN	MAX	
HSU0	$f_{p(CLK)}$	hsubx_tll_clk clock frequency		60	MHz

(1) In hsubx, x is equal to 1, 2, or 3.

**Table 6-103. High-Speed USB Switching Characteristics – 12-bit TLL Master Mode (continued)**

NO.	PARAMETER		1.15 V		UNIT
			MIN	MAX	
	$t_{j(CLK)}$	Jitter standard deviation <sup>(2)</sup> , hsubx_tll_clk		200	ps
HSU6	$t_{d(CLKL-DIRV)}$	Delay time, hsubx_tll_clk high to output hsubx_tll_dir valid		9	ns
	$t_{d(CLKL-DIRIV)}$	Delay time, hsubx_tll_clk high to output hsubx_tll_dir invalid	0		ns
	$t_{d(CLKL-NXTV)}$	Delay time, hsubx_tll_clk high to output hsubx_tll_nxt valid		9	ns
	$t_{d(CLKL-NXTIV)}$	Delay time, hsubx_tll_clk high to output hsubx_tll_nxt invalid	0		ns
HSU7	$t_{d(CLKL-DV)}$	Delay time, hsubx_tll_clk high to output hsubx_tll_data[7:0] valid		9	ns
	$t_{d(CLKL-DIV)}$	Delay time, hsubx_tll_clk high to output hsubx_tll_data[7:0] invalid	0		ns
	$t_{R(do)}$	Rise time, output signals		2	ns
	$t_{F(do)}$	Fall time, output signals		2	ns

(2) The jitter probability density can be approximated by a Gaussian function.



In hsubx, x is equal to 1, 2, or 3.

**Figure 6-51. High-Speed USB – 12-bit TLL Master Mode**

PRODUCT PREVIEW

**6.6.4.4 High-Speed Universal Serial Bus (USB) on Ports 1, 2, and 3 – 8-bit TLL Master Mode**

Table 6-105 and Table 6-106 assume testing over the recommended operating conditions (see Figure 6-52).

**Table 6-104. High-Speed USB Timing Conditions – 8-bit TLL Master Mode**

TIMING CONDITION PARAMETER		VALUE	UNIT
<b>Input Conditions</b>			
$t_R$	Input signal rise time	2	ns
$t_F$	Input signal fall time	2	ns
<b>Output Conditions</b>			
$C_{LOAD}$	Output load capacitance	3	pF

**Table 6-105. High-Speed USB Timing Requirements – 8-bit TLL Master Mode<sup>(1)</sup>**

NO.	PARAMETER		1.15 V		UNIT
			MIN	MAX	
HSU2	$t_{s(STPV-CLKH)}$	Setup time, hsubx_tll_stp valid before hsubx_tll_clk rising edge	6		ns
HSU3	$t_{s(CLKH-STPIV)}$	Hold time, hsubx_tll_stp valid after hsubx_tll_clk rising edge	0		ns
HSU4	$t_{s(DATAV-CLKH)}$	Setup time, hsubx_tll_data[3:0] valid before hsubx_tll_clk rising edge	3		ns

(1) In hsubx, x is equal to 1, 2, or 3.

**Table 6-105. High-Speed USB Timing Requirements – 8-bit TLL Master Mode (continued)**

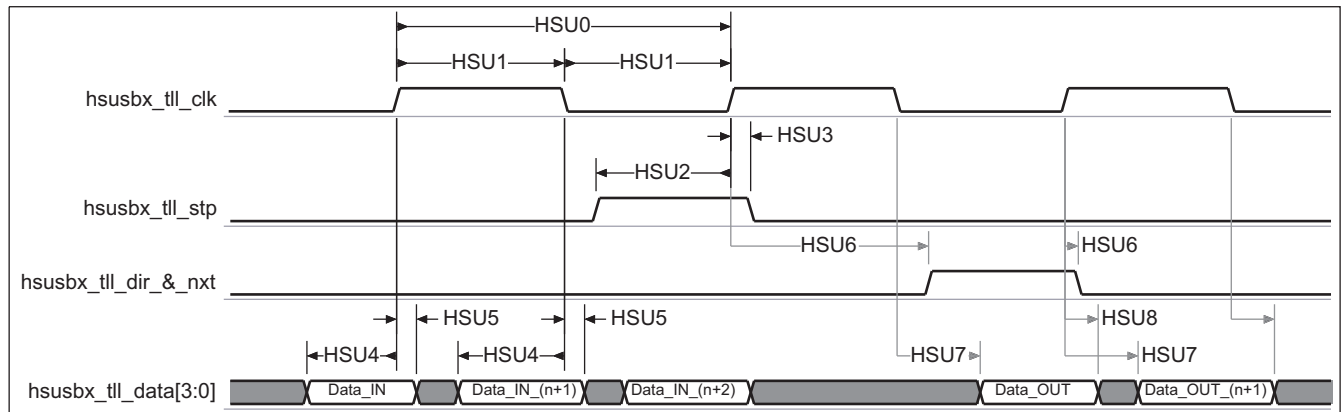
NO.	PARAMETER		1.15 V		UNIT
			MIN	MAX	
HSU5	$t_{h(CLKH-DATIV)}$	Hold time, hsubx_tll_data[3:0] valid after hsubx_tll_clk rising edge	-0.8		ns

**Table 6-106. High-Speed USB Switching Characteristics – 8-bit TLL Master Mode<sup>(1)</sup>**

NO.	PARAMETER		1.15 V		UNIT
			MIN	MAX	
HSU0	$f_p(CLK)$	hsubx_tll_clk clock frequency		60	MHz
	$t_j(CLK)$	Jitter standard deviation <sup>(2)</sup> , hsubx_tll_clk		200	ps
HSU1	$t_j(CLK)$	Duty cycle, hsubx_tll_clk pulse duration (low and high)	47.6%	52.4%	
HSU6	$t_d(CLKL-DIRV)$	Delay time, hsubx_tll_clk high to output hsubx_tll_dir valid		9	ns
	$t_d(CLKL-DIRIV)$	Delay time, hsubx_tll_clk high to output hsubx_tll_dir invalid	0		ns
	$t_d(CLKL-NXTV)$	Delay time, hsubx_tll_clk high to output hsubx_tll_nxt valid		9	ns
	$t_d(CLKL-NXTIV)$	Delay time, hsubx_tll_clk high to output hsubx_tll_nxt invalid	0		ns
HSU7	$t_d(CLKL-DV)$	Delay time, hsubx_tll_clk high to output hsubx_tll_data[3:0] valid		4	ns
HSU8	$t_d(CLKL-DIV)$	Delay time, hsubx_tll_clk high to output hsubx_tll_data[3:0] invalid	0		ns
	$t_R(do)$	Rise time, output signals		2	ns
	$t_F(do)$	Fall time, output signals		2	ns

- (1) In hsubx, x is equal to 1, 2, or 3.
- (2) The jitter probability density can be approximated by a Gaussian function.

PRODUCT PREVIEW



030-089

In hsubx, x is equal to 1, 2, or 3.

**Figure 6-52. High-Speed USB – 8-bit TLL Master Mode**

### 6.6.5 I<sup>2</sup>C Interface

The multimaster I<sup>2</sup>C peripheral provides an interface between two or more devices via an I<sup>2</sup>C serial bus. The I<sup>2</sup>C controller supports the multimaster mode which allows more than one device capable of controlling the bus to be connected to it. Each I<sup>2</sup>C device is recognized by a unique address and can operate as either transmitter or receiver, according to the function of the device. In addition to being a transmitter or receiver, a device connected to the I<sup>2</sup>C bus can also be considered as master or slave when performing data transfers. This data transfer is carried out via two serial bidirectional wires:

- An SDA data line
- An SCL clock line

The following sections illustrate the data transfer is in master or slave configuration with 7-bit addressing format. The I<sup>2</sup>C interface is compliant with Philips I<sup>2</sup>C specification version 2.1. It supports standard mode (up to 100K bits/s), fast mode (up to 400K bits/s) and high-speed mode (up to 3.4Mb/s) .

#### 6.6.5.1 I<sup>2</sup>C Standard/Fast-Speed Mode

**Table 6-107. I<sup>2</sup>C Standard/Fast-Speed Mode Timings**

NO.	PARAMETER <sup>(1)</sup>		Standard Mode		Fast Mode		UNIT
			MIN	MAX	MIN	MAX	
	f <sub>SCL</sub>	Clock Frequency, i2cX_scl		100		400	kHz
I1	t <sub>w(SCLH)</sub>	Pulse Duration, i2cX_scl high	4		0.6		μs
I2	t <sub>w(SCLL)</sub>	Pulse Duration, i2cX_scl low	4.7		1.3		μs
I3	t <sub>su(SDAV-SCLH)</sub>	Setup time, i2cX_sda valid before i2cX_scl active level	250		100 <sup>(2)</sup>		ns
I4	t <sub>h(SCLH-SDAV)</sub>	Hold time, i2cX_sda valid after i2cX_scl active level	0 <sup>(3)</sup>	3.45 <sup>(4)</sup>	0 <sup>(3)</sup>	0.9 <sup>(4)</sup>	μs
I5	t <sub>su(SDAL-SCLH)</sub>	Setup time, i2cX_scl high after i2cX_sda low (for a START <sup>(5)</sup> condition or a repeated START condition)	4.7		0.6		μs
I6	t <sub>h(SCLH-SDAH)</sub>	Hold time, i2cX_sda low level after i2cX_scl high level (STOP condition)	4		0.6		μs
I7	t <sub>h(SCLH-RSTART)</sub>	Hold time, i2cX_sda low level after i2cX_scl high level (for a repeated START condition)	4		0.6		μs
I8	t <sub>w(SDAH)</sub>	Pulse duration, i2cX_sda high between STOP and START conditions	4.7		1.3		μs
	t <sub>R(SCL)</sub>	Rise time, i2cX_scl		1000		300	ns
	t <sub>F(SCL)</sub>	Fall time, i2cX_scl		300		300	ns
	t <sub>R(SDA)</sub>	Rise time, i2cX_sda		1000		300	ns
	t <sub>F(SDA)</sub>	Fall time, i2cX_sda		300		300	ns
	CB	Capacitive load for each bus line		400		400	pF

(1) In i2cX, X is equal to 1, 2, 3, or 4. Note that I2C4 is master transmitter only.

(2) A fast-mode I<sup>2</sup>C-bus device can be used in a standard-mode I<sup>2</sup>C-bus system, but the requirement t<sub>su(SDAV-SCLH)</sub> ≥ 250 ns must then be met. This is automatically the case if the device does not stretch the low period of the i2cx\_scl. If such a device does stretch the low period of the i2cx\_scl, it must output the next data bit to the i2cx\_sda line t<sub>r(SDA)</sub> max + t<sub>su(SDAV-SCLH)</sub> = 1000 + 250 = 1250 ns (according to the standard-mode I<sup>2</sup>C-bus specification) before the i2cx\_scl line is released.

(3) The device provides (via the I<sup>2</sup>C bus) a hold time of at least 300 ns for the i2cx\_sda signal (refer to the fall and rise time of i2cx\_scl) to bridge the undefined region of the falling edge of i2cx\_scl.

(4) The maximum t<sub>h(SCLH-SDA)</sub> has only to be met if the device does not stretch the low period of the i2cx\_scl signal.

(5) After this time, the first clock is generated.

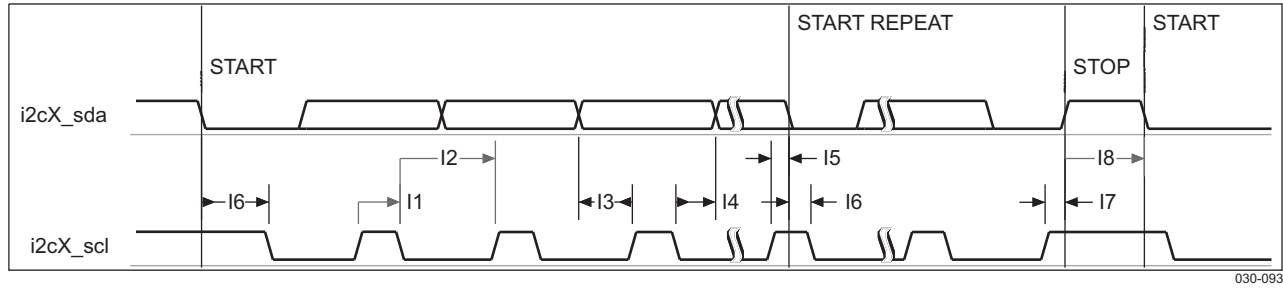


Figure 6-53. I<sup>2</sup>C – Standard/Fast Mode

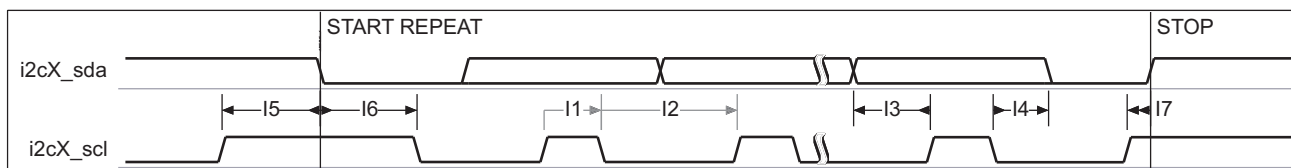
PRODUCT PREVIEW

6.6.5.2 I<sup>2</sup>C High-Speed Mode

Table 6-108. I<sup>2</sup>C HighSpeed Mode Timings<sup>(1)(2)</sup>

NO.	PARAMETER		CB = 100 pF MAX		CB = 400 pF MAX		UNIT
			MIN	MAX	MIN	MAX	
	f <sub>SCL</sub>	Clock frequency, i2cX_scl		3.4		1.7	MHz
I1	t <sub>w(SCLH)</sub>	Pulse duration, i2cX_scl high	60 <sup>(3)</sup>		120 <sup>(3)</sup>		μs
I2	t <sub>w(SCLL)</sub>	Pulse duration, i2cX_scl low	160 <sup>(3)</sup>		320 <sup>(3)</sup>		μs
I3	t <sub>su(SDAV-SCLH)</sub>	Setup time, i2cX_sda valid before i2cX_scl active level	10		10		ns
I4	t <sub>h(SCLH-SDAV)</sub>	Hold time, i2cX_sda valid after i2cX_scl active level	0 <sup>(2)</sup>	70	0 <sup>(2)</sup>	150	μs
I5	t <sub>su(SDAL-SCLH)</sub>	Setup time, i2cX_scl high after i2cX_sda low (for a START <sup>(4)</sup> condition or a repeated START condition)	160		160		μs
I6	t <sub>h(SCLH-SDAH)</sub>	Hold time, i2cX_sda low level after i2cX_scl high level (STOP condition)	160		160		μs
I7	t <sub>h(SCLH-RSTART)</sub>	Hold time, i2cX_sda low level after i2cX_scl high level (for a repeated START condition)	160		160		ns
	t <sub>R(SCL)</sub>	Rise time, i2cX_scl		40		80	ns
	t <sub>R(SCL)</sub>	Rise time, i2cX_scl after a repeated START condition and after a bit acknowledge		80		160	ns
	t <sub>F(SCL)</sub>	Fall time, i2cX_scl		40		80	ns
	t <sub>R(SDA)</sub>	Rise time, i2cX_sda		80		160	ns
	t <sub>F(SDA)</sub>	Fall time, i2cX_sda		80		160	ns

- (1) In i2cX, X is equal to 1, 2, 3, or 4. Note that I2C4 is master transmitter only.
- (2) The device provides (via the I<sup>2</sup>C bus) a hold time of at least 300 ns for the i2cX\_sda signal (refer to the fall and rise time of i2cx\_scl) to bridge the undefined region of the falling edge of i2cx\_scl.
- (3) HS-mode master devices generate a serial clock signal with a high to low ratio of 1 to 2. t<sub>w(SCLL)</sub> > 2 × t<sub>w(SCLH)</sub>.
- (4) After this time, the first clock is generated.



030-094

Figure 6-54. I<sup>2</sup>C – High-Speed Mode<sup>(1)(2)(3)</sup>

- (1) HS-mode master devices generate a serial clock signal with a high-to-low ratio of 1 to 2. t<sub>w(SCLL)</sub> > 2 × t<sub>w(SCLH)</sub>.
- (2) In i2cX, X is equal to 1, 2, 3, or 4. Note that I2C4 is master transmitter only.
- (3) After this time, the first clock is generated.

Table 6-109. Correspondence Standard vs. TI Timing References

	TI-OMAP	STANDARD-I <sup>2</sup> C	
		S/F Mode	HS Mode
	f <sub>SCL</sub>	F <sub>SCL</sub>	F <sub>SCLH</sub>
I1	t <sub>w(SCLH)</sub>	T <sub>HIGH</sub>	T <sub>HIGH</sub>
I2	t <sub>w(SCLL)</sub>	T <sub>LOW</sub>	T <sub>LOW</sub>
I3	t <sub>su(SDAV-SCLH)</sub>	T <sub>SU;DAT</sub>	T <sub>SU;DAT</sub>
I4	t <sub>h(SCLH-SDAV)</sub>	T <sub>SU;DAT</sub>	T <sub>SU;DAT</sub>
I5	t <sub>su(SDAL-SCLH)</sub>	T <sub>SU;STA</sub>	T <sub>SU;STA</sub>
I6	t <sub>h(SCLH-SDAH)</sub>	T <sub>HD;STA</sub>	T <sub>HD;STA</sub>
I7	t <sub>h(SCLH-RSTART)</sub>	T <sub>SU;STO</sub>	T <sub>SU;STO</sub>

**Table 6-109. Correspondence Standard vs. TI Timing References (continued)**

	TI-OMAP	STANDARD-I <sup>2</sup> C	
		S/F Mode	HS Mode
I8	t <sub>w</sub> (SDAH)	T <sub>BUF</sub>	

**6.6.6 HDQ / 1-Wire Interfaces**

This module is intended to work with both the HDQ and the 1-Wire protocols. The protocols use a single wire to communicate between the master and the slave. The protocols employ an asynchronous return to 1 mechanism where, after any command, the line is pulled high.

**6.6.6.1 HDQ Protocol**

Table 6-110 and Table 6-111 assume testing over the recommended operating conditions (see Figure 6-55 through Figure 6-58).

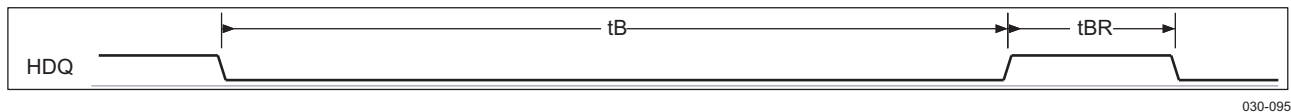
**Table 6-110. HDQ Timing Requirements**

PARAMETER	DESCRIPTION	MIN	MAX	UNIT
t <sub>CYCD</sub>	Bit window	253		μs
t <sub>HW1</sub>	Reads 1		68	
t <sub>HW0</sub>	Reads 0	180		
t <sub>RSPS</sub>	Command to host respond time <sup>(1)</sup>			

(1) Defined by software.

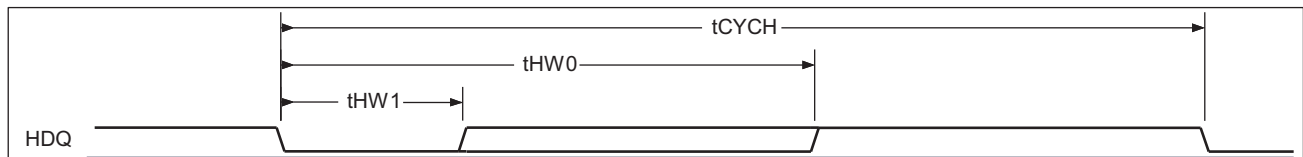
**Table 6-111. HDQ Switching Characteristics**

PARAMETER	DESCRIPTION	MIN	TYP	MAX	UNIT
t <sub>B</sub>	Break timing		193		μs
t <sub>BR</sub>	Break recovery		63		
t <sub>CYCH</sub>	Bit window		253		
t <sub>DW1</sub>	Sends1 (write)		1.3		
t <sub>DW0</sub>	Sends0 (write)		101		



030-095

**Figure 6-55. HDQ Break (Reset) Timing**

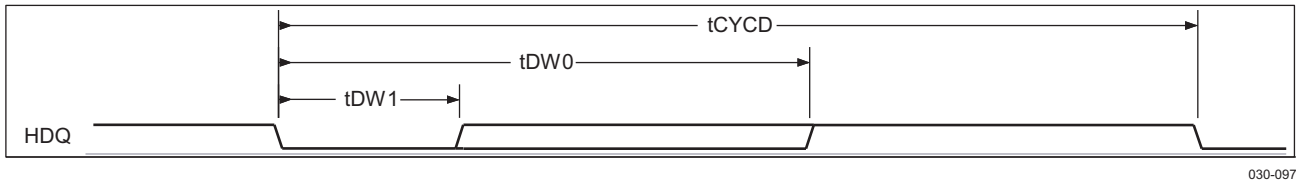


030-096

**Figure 6-56. HDQ Read Bit Timing (Data)**

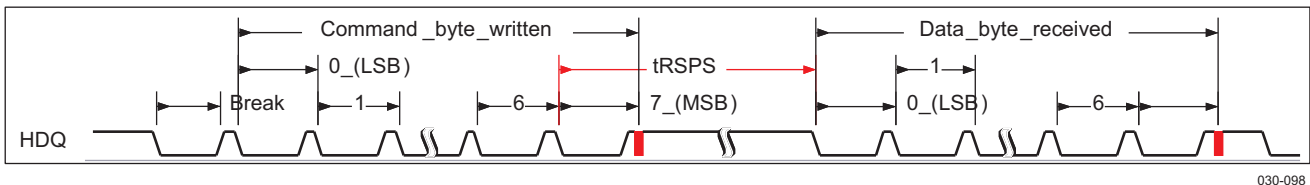
PRODUCT PREVIEW





030-097

Figure 6-57. HDQ Write Bit Timing (Command/Address or Data)



030-098

Figure 6-58. HDQ Communication Timing

### 6.6.6.2 1-Wire Protocol

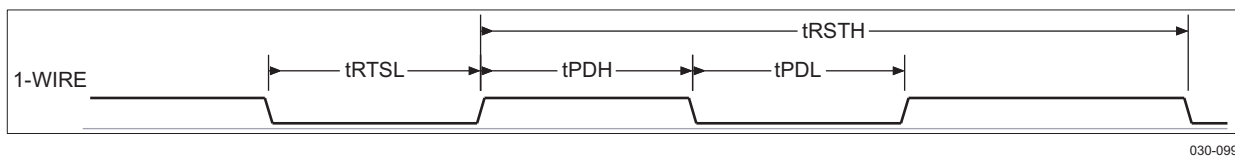
Table 6-112 and Table 6-113 assume testing over the recommended operating conditions (see Figure 6-59 through Figure 6-61).

Table 6-112. 1-Wire Timing Requirements

PARAMETER	DESCRIPTION	MIN	MAX	UNIT
$t_{PDH}$	Presence pulse delay high		68	$\mu\text{s}$
$t_{PDL}$	Presence pulse delay low	$68 - t_{PDH}$		
$t_{RDV} + t_{REL}$	Read bit-zero time		102	

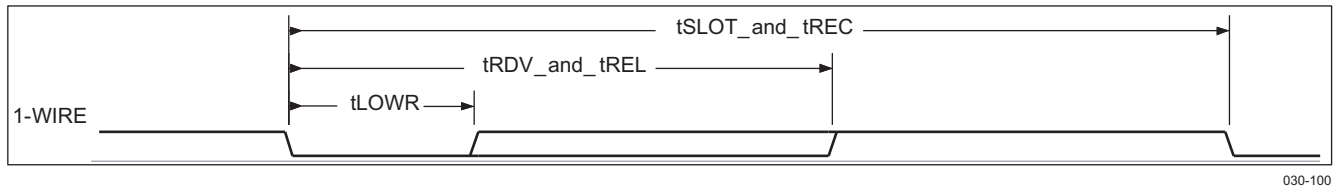
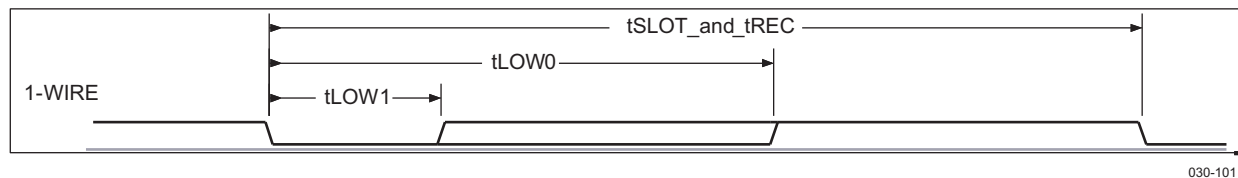
Table 6-113. 1-Wire Switching Characteristics

PARAMETER	DESCRIPTION	MIN	TYP	MAX	UNIT
$t_{RSTL}$	Reset time low		484		$\mu\text{s}$
$t_{RSTH}$	Reset time high		484		
$t_{SLOT}$	Write bit cycle time		102		
$t_{LOW1}$	Write bit-one time		1.3		
$t_{LOW0}$	Write bit-zero time		101		
$t_{REC}$	Recovery time		134		
$t_{LOWR}$	Read bit strobe time		13		



030-099

Figure 6-59. 1-Wire Break (Reset) Timing

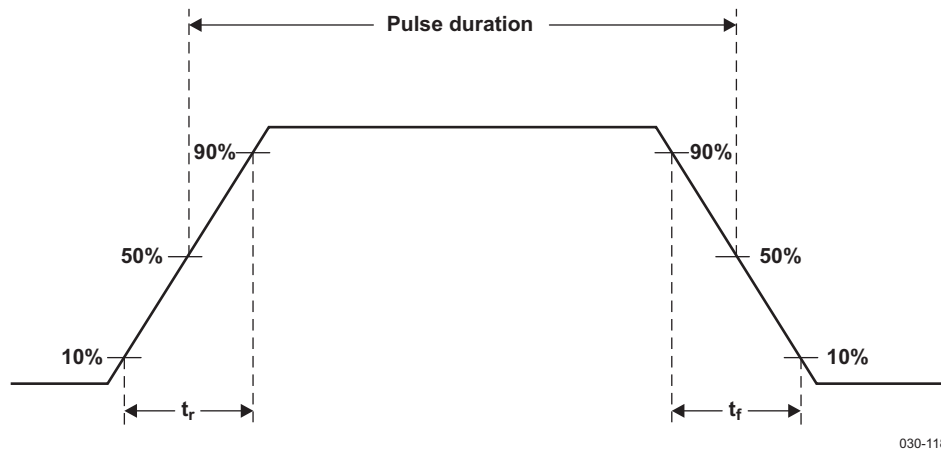

**Figure 6-60. 1-Wire Read Bit Timing (Data)**

**Figure 6-61. 1-Wire Write Bit Timing (Command/Address or Data)**

### 6.6.7 UART IrDA Interface

The IrDA module can operate in three different modes:

- Slow infrared (SIR) ( $\leq 115.2$  Kbits/s)
- Medium infrared (MIR) (0.576 Mbits/s and 1.152 Mbits/s)
- Fast infrared (FIR) (4 Mbits/s)

For more information about this interface, see the UART/IrDA chapter in the *OMAP35x Technical Reference Manual (TRM)* [literature number [SPRUF98](#)].


**Figure 6-62. UART IrDA Pulse Parameters**

#### 6.6.7.1 IrDA—Receive Mode

**Table 6-114. UART IrDA—Signaling Rate and Pulse Duration—Receive Mode**

SIGNALING RATE	ELECTRICAL PULSE DURATION			UNIT
	MIN	NOMINAL	MAX	
SIR				
2.4 Kbit/s	1.41	78.1	88.55	$\mu$ s
9.6 Kbit/s	1.41	19.5	22.13	$\mu$ s
19.2 Kbit/s	1.41	9.75	11.07	$\mu$ s

**Table 6-114. UART IrDA—Signaling Rate and Pulse Duration—Receive Mode  
(continued)**

SIGNALING RATE	ELECTRICAL PULSE DURATION			UNIT
	MIN	NOMINAL	MAX	
38.4 Kbit/s	1.41	4.87	5.96	μs
57.6 Kbit/s	1.41	3.25	4.34	μs
115.2 Kbit/s	1.41	1.62	2.23	μs
<b>MIR</b>				
0.576 Mbit/s	297.2	416	518.8	ns
1.152 Mbit/s	149.6	208	258.4	ns
<b>FIR</b>				
4.0 Mbit/s (Single pulse)	67	125	164	ns
4.0 Mbit/s (Double pulse)	190	250	289	ns

**Table 6-115. UART IrDA—Rise and Fall Time—Receive Mode**

	PARAMETER	MAX	UNIT
$t_R$	Rising time, uart3_rx_irrx	200	ns
$t_F$	Falling time, uart3_rx_irrx	200	ns

### 6.6.7.2 IrDA—Transmit Mode

**Table 6-116. UART IrDA—Signaling Rate and Pulse Duration—Transmit Mode**

SIGNALING RATE	ELECTRICAL PULSE DURATION			UNIT
	MIN	NOMINAL	MAX	
<b>SIR</b>				
2.4 Kbit/s	78.1	78.1	78.1	μs
9.6 Kbit/s	19.5	19.5	19.5	μs
19.2 Kbit/s	9.75	9.75	9.75	μs
38.4 Kbit/s	4.87	4.87	4.87	μs
57.6 Kbit/s	3.25	3.25	3.25	μs
115.2 Kbit/s	1.62	1.62	1.62	μs
<b>MIR</b>				
0.576 Mbit/s	414	416	419	ns
1.152 Mbit/s	206	208	211	ns
<b>FIR</b>				
4.0 Mbit/s (Single pulse)	123	125	128	ns
4.0 Mbit/s (Double pulse)	248	250	253	ns

## 6.7 Removable Media Interfaces

### 6.7.1 High-Speed Multimedia Memory Card (MMC) and Secure Digital IO Card (SDIO) Timing

The MMC/SDIO host controller provides an interface to high-speed and standard MMC, SD memory cards, or SDIO cards. The application interface is responsible for managing transaction semantics. The MMC/SDIO host controller deals with MMC/SDIO protocol at transmission level, packing data, adding CRC, start/end bit, and checking for syntactical correctness.

There are three MMC interfaces on the OMAP3530/25:

- MMC/SD/SDIO Interface 1:
  - 1.8 V/3 V support
  - 8 bits
- MMC/SD/SDIO Interface 2:
  - 1.8 V support
  - 8 bits
  - 4 bits with external transceiver allowing to support 3 V peripherals. Transceiver direction control signals are multiplexed with the upper four data bits.
- MMC/SD/SDIO Interface 3:
  - 1.8 V support
  - 8 bits

#### 6.7.1.1 MMC/SD/SDIO in SD Identification Mode

Table 6-118 and Table 6-119 assume testing over the recommended operating conditions and electrical characteristic conditions.

**Table 6-117. MMC/SD/SDIO Timing Conditions – SD Identification Mode**

TIMING CONDITION PARAMETER		VALUE	UNIT
<b>SD Identification Mode</b>			
<b>Input Conditions</b>			
$t_R$	Input signal rise time	10	ns
$t_F$	Input signal fall time	10	ns
<b>Output Conditions</b>			
$C_{LOAD}$	Output load capacitance	40	pF

**Table 6-118. MMC/SD/SDIO Timing Requirements – SD Identification Mode<sup>(1)(2)(3)</sup>**

NO.	PARAMETER	1.15 V		1.0 V		UNIT
		MIN	MAX	MIN	MAX	
<b>SD Identification Mode</b>						
<b>MMC/SD/SDIO Interface 1 (1.8 V IO)</b>						
HSSD3/SD3	$t_{su}(CMDV-CLKIH)$	Setup time, mmc1_cmd valid before mmc1_clk rising clock edge		1198.4		ns
HSSD4/SD4	$t_{su}(CLKIH-CMDIV)$	Hold time, mmc1_cmd valid after mmc1_clk rising clock edge		1249.2		ns
<b>MMC/SD/SDIO Interface 1 (3.0 V IO)</b>						
HSSD3/SD3	$t_{su}(CMDV-CLKIH)$	Setup time, mmc1_cmd valid before mmc1_clk rising clock edge		1198.4		ns
HSSD4/SD4	$t_{su}(CLKIH-CMDIV)$	Hold time, mmc1_cmd valid after mmc1_clk rising clock edge		1249.2		ns
<b>MMC/SD/SDIO Interface 2</b>						

(1) Timing parameters are referred to output clock specified in Table 6-119.

(2) The timing requirements are assured for the cycle jitter and duty cycle error conditions specified in Table 6-119.

(3) Corresponding figures showing timing parameters are common with other interface modes. (See SD and HS SD modes).

**Table 6-118. MMC/SD/SDIO Timing Requirements – SD Identification Mode (continued)**

NO.	PARAMETER		1.15 V		1.0 V		UNIT
			MIN	MAX	MIN	MAX	
HSSD3/SD3	$t_{su}(CMDV-CLKIH)$	Setup time, mmc2_cmd valid before mmc2_clk rising clock edge	1198.4		1198.4		ns
HSSD4/SD4	$t_{su}(CLKIH-CMDIV)$	Hold time, mmc2_cmd valid after mmc2_clk rising clock edge	1249.2		1249.2		ns
<b>MMC/SD/SDIO Interface 3</b>							
HSSD3/SD3	$t_{su}(CMDV-CLKIH)$	Setup time, mmc3_cmd valid before mmc3_clk rising clock edge	1198.4		1198.4		ns
HSSD4/SD4	$t_{su}(CLKIH-CMDIV)$	Hold time, mmc3_cmd valid after mmc3_clk rising clock edge	1249.2		1249.2		ns

**Table 6-119. MMC/SD/SDIO Switching Characteristics – SD Identification Mode<sup>(1)</sup>**

NO.	PARAMETER		1.15 V		1.0 V		UNIT
			MIN	MAX	MIN	MAX	
<b>SD Identification Mode</b>							
HSSD1/SD1	$t_{c}(clk)$	Cycle time <sup>(2)</sup> , output clk period	2500		2500		ns
HSSD2/SD2	$t_{W}(clkH)$	Typical pulse duration, output clk high	$X^{(3)} \cdot PO^{(4)}$		$X^{(3)} \cdot PO^{(4)}$		ns
HSSD2/SD2	$t_{W}(clkL)$	Typical pulse duration, output clk low	$Y^{(5)} \cdot PO^{(4)}$		$Y^{(5)} \cdot PO^{(4)}$		ns
	$t_{dc}(clk)$	Duty cycle error, output clk		125		125	ns
	$t_{j}(clk)$	Jitter standard deviation <sup>(6)</sup> , output clk		200		200	ps
<b>MMC/SD/SDIO Interface 1 (1.8 V IO)</b>							
	$t_{c}(clk)$	Rise time, output clk		10		10	ns
	$t_{W}(clkH)$	Fall time, output clk		10		10	ns
	$t_{W}(clkL)$	Rise time, output data		10		10	ns
	$t_{dc}(clk)$	Fall time, output data		10		10	ns
HSSD5/SD5	$t_{d}(CLKOH-CMD)$	Delay time, mmc1_clk rising clock edge to mmc1_cmd transition	6.3	2492.7	6.3	2492.7	ns
<b>MMC/SD/SDIO Interface 1 (3.0 V IO)</b>							
	$t_{c}(clk)$	Rise time, output clk		10		0	ns
	$t_{W}(clkH)$	Fall time, output clk		10		0	ns
	$t_{W}(clkL)$	Rise time, output data		10		10	ns
	$t_{dc}(clk)$	Fall time, output data		10		10	ns
HSSD5/SD5	$t_{d}(CLKOH-CMD)$	Delay time, mmc1_clk rising clock edge to mmc1_cmd transition	6.3	2492.7	6.3	2492.7	ns
<b>MMC/SD/SDIO Interface 2</b>							
	$t_{c}(clk)$	Rise time, output clk		10		10	ns
	$t_{W}(clkH)$	Fall time, output clk		10		10	ns
	$t_{W}(clkL)$	Rise time, output data		10		10	ns
	$t_{dc}(clk)$	Fall time, output data		10		10	ns
HSSD5/SD5	$t_{d}(CLKOH-CMD)$	Delay time, mmc2_clk rising clock edge to mmc2_cmd transition	6.3	2492.7	6.3	2492.7	ns
<b>MMC/SD/SDIO Interface 3</b>							
	$t_{c}(clk)$	Rise time, output clk		10		10	ns
	$t_{W}(clkH)$	Fall time, output clk		10		10	ns
	$t_{W}(clkL)$	Rise time, output data		10		10	ns

(1) Corresponding figures showing timing parameters are common with other interface modes (see SD and HS SD modes).

(2) Related with the output clk maximum and minimum frequencies programmable in I/F module.

(3) The X parameter is defined as shown in Table 6-120.

(4) PO = output clk period in ns.

(5) The Y parameter is defined as shown in Table 6-121.

(6) The jitter probability density can be approximated by a Gaussian function.

**Table 6-119. MMC/SD/SDIO Switching Characteristics – SD Identification Mode (continued)**

NO.	PARAMETER		1.15 V		1.0 V		UNIT
			MIN	MAX	MIN	MAX	
	$t_{dc}(clk)$	Fall time, output data		10		10	ns
HSSD5/SD5	$t_d(CLKOH-CMD)$	Delay time, mmc3_clk rising clock edge to mmc3_cmd transition	6.3	2492.7	6.3	2492.7	ns

**Table 6-120. X Parameter**

CLKD	X
1 or Even	0.5
Odd	$(trunk[CLKD/2]+1)/CLKD$

**Table 6-121. Y Parameter**

CLKD	Y
1 or Even	0.5
Odd	$(trunk[CLKD/2])/CLKD$

For details about clock division factor CLKD, see the *OMAP35x Technical Reference Manual (TRM)* [literature number [SPRUF98](#)].

**6.7.1.2 MMC/SD/SDIO in High-Speed MMC Mode**

[Table 6-123](#) and [Table 6-124](#) assume testing over the recommended operating conditions and electrical characteristic conditions (see [Figure 6-63](#) and [Figure 6-64](#)).

**Table 6-122. MMC/SD/SDIO Timing Conditions – High-Speed MMC Mode**

TIMING CONDITION PARAMETER		VALUE	UNIT
<b>High-Speed MMC Mode</b>			
<b>Input Conditions</b>			
$t_R$	Input signal rise time	3	ns
$t_F$	Input signal fall time	3	ns
<b>Output Conditions</b>			
$C_{LOAD}$	Output load capacitance	30	pF

**Table 6-123. MMC/SD/SDIO Timing Requirements – High-Speed MMC Mode<sup>(1)(2)(3)(4)</sup>**

NO.	PARAMETER		1.15 V		1.0 V		UNIT
			MIN	MAX	MIN	MAX	
<b>High-Speed MMC Mode</b>							
<b>MMC/SD/SDIO Interface 1 (1.8 V IO)</b>							
MMC3	$t_{su}(CMDV-CLKIH)$	Setup time, mmc1_cmd valid before mmc1_clk rising clock edge	5.6		26		ns
MMC4	$t_{su}(CLKIH-CMDIV)$	Hold time, mmc1_cmd valid after mmc1_clk rising clock edge	2.3		1.9		ns
MMC7	$t_{su}(DATxV-CLKIH)$	Setup time, mmc1_datx valid before mmc1_clk rising clock edge	5.6		26		ns
MMC8	$t_{su}(CLKIH-DATxIV)$	Hold time, mmc1_datx valid after mmc1_clk rising clock edge	2.3		1.9		ns
<b>MMC/SD/SDIO Interface 1 (3.0 V IO)</b>							

(1) Timing parameters are referred to output clock specified in [Table 6-124](#).  
 (2) The timing requirements are assured for the cycle jitter and duty cycle error conditions specified in [Table 6-124](#).  
 (3) Corresponding figures showing timing parameters are common with Standard MMC mode (See [Figure 6-63](#) and [Figure 6-64](#))  
 (4) In datx, x is equal to 1, 2, 3, 4, 5, 6, or 7.

**Table 6-123. MMC/SD/SDIO Timing Requirements – High-Speed MMC Mode (continued)**

NO.	PARAMETER		1.15 V		1.0 V		UNIT
			MIN	MAX	MIN	MAX	
MMC3	$t_{su}(CMDV-CLKIH)$	Setup time, mmc1_cmd valid before mmc1_clk rising clock edge	5.6		26		ns
MMC4	$t_{su}(CLKIH-CMDIV)$	Hold time, mmc1_cmd valid after mmc1_clk rising clock edge	2.3		1.9		ns
MMC7	$t_{su}(DATxV-CLKIH)$	Setup time, mmc1_datx valid before mmc1_clk rising clock edge	5.6		26		ns
MMC8	$t_{su}(CLKIH-DATxIV)$	Hold time, mmc1_datx valid after mmc1_clk rising clock edge	2.3		1.9		ns
<b>MMC/SD/SDIO Interface 2</b>							
MMC3	$t_{su}(CMDV-CLKIH)$	Setup time, mmc2_cmd valid before mmc2_clk rising clock edge	5.6		26		ns
MMC4	$t_{su}(CLKIH-CMDIV)$	Hold time, mmc2_cmd valid after mmc2_clk rising clock edge	2.3		1.9		ns
MMC7	$t_{su}(DATxV-CLKIH)$	Setup time, mmc2_datx valid before mmc2_clk rising clock edge	5.6		26		ns
MMC8	$t_{su}(CLKIH-DATxIV)$	Hold time, mmc2_datx valid after mmc2_clk rising clock edge	2.3		1.9		ns
<b>MMC/SD/SDIO Interface 3</b>							
MMC3	$t_{su}(CMDV-CLKIH)$	Setup time, mmc3_cmd valid before mmc3_clk rising clock edge	5.6		26		ns
MMC4	$t_{su}(CLKIH-CMDIV)$	Hold time, mmc3_cmd valid after mmc3_clk rising clock edge	2.3		1.9		ns
MMC7	$t_{su}(DATxV-CLKIH)$	Setup time, mmc3_datx valid before mmc3_clk rising clock edge	5.6		26		ns
MMC8	$t_{su}(CLKIH-DATxIV)$	Hold time, mmc3_datx valid after mmc3_clk rising clock edge	2.3		1.9		ns

**Table 6-124. MMC/SD/SDIO Switching Characteristics – High-Speed MMC Mode<sup>(1)</sup>**

N O.	PARAMETER		1.15 V		1.0 V		UNIT
			MIN	MAX	MIN	MAX	
<b>High-Speed MMC Mode</b>							
MMC1	$t_{c}(clk)$	Cycle time <sup>(2)</sup> , output clk period	20.8		41.7		ns
MMC2	$t_{W}(clkH)$	Typical pulse duration, output clk high	$X^{(3)} \cdot PO^{(4)}$		$X^{(3)} \cdot PO^{(4)}$		ns
MMC2	$t_{W}(clkL)$	Typical pulse duration, output clk low	$Y^{(5)} \cdot PO^{(4)}$		$Y^{(5)} \cdot PO^{(4)}$		ns
	$t_{dc}(clk)$	Duty cycle error, output clk		1041.7		2083.3	ps
	$t_{j}(clk)$	Jitter standard deviation <sup>(6)</sup> , output clk		200		200	ps
<b>MMC/SD/SDIO Interface 1 (1.8 V IO)</b>							
	$t_{c}(clk)$	Rise time, output clk		3		3	ns
	$t_{W}(clkH)$	Fall time, output clk		3		3	ns
	$t_{W}(clkL)$	Rise time, output data		3		3	ns
	$t_{dc}(clk)$	Fall time, output data		3		3	ns
MMC5	$t_{d}(CLKOH-CMD)$	Delay time, mmc1_clk rising clock edge to mmc1_cmd transition	3.7	14.1	4.1	34.5	ns
MMC6	$t_{d}(CLKOH-DATx)$	Delay time, mmc1_clk rising clock edge to mmc1_datx transition	3.7	14.1	4.1	34.5	ns
<b>MMC/SD/SDIO Interface 1 (3.0 V IO)</b>							

(1) In datx, x is equal to 1, 2, 3, 4, 5, 6, or 7.

(2) Related with the output clk maximum and minimum frequencies programmable in I/F module.

(3) The X parameter is defined as shown in Table 6-125.

(4) PO = output clk period in ns.

(5) The Y parameter is defined as shown in Table 6-126.

(6) The jitter probability density can be approximated by a Gaussian function.

**Table 6-124. MMC/SD/SDIO Switching Characteristics – High-Speed MMC Mode (continued)**

N O.	PARAMETER		1.15 V		1.0 V		UNIT
			MIN	MAX	MIN	MAX	
	$t_{c(\text{clk})}$	Rise time, output clk		3		3	ns
	$t_{W(\text{clkH})}$	Fall time, output clk		3		3	ns
	$t_{W(\text{clkL})}$	Rise time, output data		3		3	ns
	$t_{dc(\text{clk})}$	Fall time, output data		3		3	ns
MMC5	$t_{d(\text{CLKOH-CMD})}$	Delay time, mmc1_clk rising clock edge to mmc1_cmd transition	3.7	14.1	4.1	34.5	ns
MMC6	$t_{d(\text{CLKOH-DATx})}$	Delay time, mmc1_clk rising clock edge to mmc1_datx transition	3.7	14.1	4.1	34.5	ns
<b>MMC/SD/SDIO Interface 2</b>							
	$t_{c(\text{clk})}$	Rise time, output clk		3		3	ns
	$t_{W(\text{clkH})}$	Fall time, output clk		3		3	ns
	$t_{W(\text{clkL})}$	Rise time, output data		3		3	ns
	$t_{dc(\text{clk})}$	Fall time, output data		3		3	ns
MMC5	$t_{d(\text{CLKOH-CMD})}$	Delay time, mmc2_clk rising clock edge to mmc2_cmd transition	3.7	14.1	4.1	34.5	ns
MMC6	$t_{d(\text{CLKOH-DATx})}$	Delay time, mmc2_clk rising clock edge to mmc2_datx transition	3.7	16.5	4.1	36.9	ns
<b>MMC/SD/SDIO Interface 3</b>							
	$t_{c(\text{clk})}$	Rise time, output clk		3		3	ns
	$t_{W(\text{clkH})}$	Fall time, output clk		3		3	ns
	$t_{W(\text{clkL})}$	Rise time, output data		3		3	ns
	$t_{dc(\text{clk})}$	Fall time, output data		3		3	ns
MMC5	$t_{d(\text{CLKOH-CMD})}$	Delay time, mmc3_clk rising clock edge to mmc3_cmd transition	3.7	14.1	4.1	34.5	ns
MMC6	$t_{d(\text{CLKOH-DATx})}$	Delay time, mmc3_clk rising clock edge to mmc3_datx transition	3.7	14.1	4.1	34.5	ns

**Table 6-125. X Parameter**

CLKD	X
1 or Even	0.5
Odd	$(\text{trunk}[\text{CLKD}/2]+1)/\text{CLKD}$

**Table 6-126. Y Parameter**

CLKD	Y
1 or Even	0.5
Odd	$(\text{trunk}[\text{CLKD}/2])/ \text{CLKD}$

For details about clock division factor CLKD, see the *OMAP35x Technical Reference Manual (TRM)* [literature number [SPRUF98](#)].

**6.7.1.3 MMC/SD/SDIO in Standard MMC Mode and MMC Identification Mode**

[Table 6-128](#) and [Table 6-129](#) assume testing over the recommended operating conditions and electrical characteristic conditions.

**Table 6-127. MMC/SD/SDIO Timing Conditions – Standard MMC Mode and MMC Identification Mode**

TIMING CONDITION PARAMETER	VALUE	UNIT
<b>Standard MMC Mode and MMC Identification Mode</b>		
<b>Input Conditions</b>		



**Table 6-127. MMC/SD/SDIO Timing Conditions – Standard MMC Mode and MMC Identification Mode  
(continued)**

TIMING CONDITION PARAMETER		VALUE	UNIT
$t_R$	Input signal rise time	10	ns
$t_F$	Input signal fall time	10	ns
<b>Output Conditions</b>			
$C_{LOAD}$	Output load capacitance	30	pF

**Table 6-128. MMC/SD/SDIO Timing Requirements – Standard MMC Mode and MMC Identification Mode<sup>(1)(2)</sup>**

NO.	PARAMETER		1.15 V		1.0 V		UNIT
			MIN	MAX	MIN	MAX	
<b>Standard MMC Mode and MMC Identification Mode</b>							
<b>MMC/SD/SDIO Interface 1 (1.8 V IO)</b>							
MMC3	$t_{su}(CMDV-CLKIH)$	Setup time, mmc1_cmd valid before mmc1_clk rising clock edge	13.6		65.7		ns
MMC4	$t_{su}(CLKIH-CMDIV)$	Hold time, mmc1_cmd valid after mmc1_clk rising clock edge	8.9		8.9		ns
MMC7	$t_{su}(DATxV-CLKIH)$	Setup time, mmc1_datx valid before mmc1_clk rising clock edge	13.6		65.7		ns
MMC8	$t_{su}(CLKIH-DATxIV)$	Hold time, mmc1_datx valid after mmc1_clk rising clock edge	8.9		8.9		ns
<b>MMC/SD/SDIO Interface 1 (3.0 V IO)</b>							
MMC3	$t_{su}(CMDV-CLKIH)$	Setup time, mmc1_cmd valid before mmc1_clk rising clock edge	13.6		65.7		ns
MMC4	$t_{su}(CLKIH-CMDIV)$	Hold time, mmc1_cmd valid after mmc1_clk rising clock edge	8.9		8.9		ns
MMC7	$t_{su}(DATxV-CLKIH)$	Setup time, mmc1_datx valid before mmc1_clk rising clock edge	13.6		65.7		ns
MMC8	$t_{su}(CLKIH-DATxIV)$	Hold time, mmc1_datx valid after mmc1_clk rising clock edge	8.9		8.9		ns
<b>MMC/SD/SDIO Interface 2</b>							
MMC3	$t_{su}(CMDV-CLKIH)$	Setup time, mmc2_cmd valid before mmc2_clk rising clock edge	13.6		65.7		ns
MMC4	$t_{su}(CLKIH-CMDIV)$	Hold time, mmc2_cmd valid after mmc2_clk rising clock edge	8.9		8.9		ns
MMC7	$t_{su}(DATxV-CLKIH)$	Setup time, mmc2_datx valid before mmc2_clk rising clock edge	13.6		65.7		ns
MMC8	$t_{su}(CLKIH-DATxIV)$	Hold time, mmc2_datx valid after mmc2_clk rising clock edge	8.9		8.9		ns
<b>MMC/SD/SDIO Interface 3</b>							
MMC3	$t_{su}(CMDV-CLKIH)$	Setup time, mmc3_cmd valid before mmc3_clk rising clock edge	13.6		65.7		ns
MMC4	$t_{su}(CLKIH-CMDIV)$	Hold time, mmc3_cmd valid after mmc3_clk rising clock edge	8.9		8.9		ns
MMC7	$t_{su}(DATxV-CLKIH)$	Setup time, mmc3_datx valid before mmc3_clk rising clock edge	13.6		65.7		ns
MMC8	$t_{su}(CLKIH-DATxIV)$	Hold time, mmc3_datx valid after mmc3_clk rising clock edge	8.9		8.9		ns

(1) Timing parameters are referred to output clock specified in Table 6-129.

(2) The timing requirements are assured for the cycle jitter and duty cycle error conditions specified in Table 6-129.

**Table 6-129. MMC/SD/SDIO Switching Characteristics – Standard MMC Mode and MMC Identification Mode**

NO.	PARAMETER		1.15 V		1.0 V		UNIT
			MIN	MAX	MIN	MAX	
<b>MMC Identification Mode</b>							
MMC1	$t_{c}(clk)$	Cycle time <sup>(1)</sup> , output clk period	2500		2500		ns
MMC2	$t_{W}(clkH)$	Typical pulse duration, output clk high	$X^{(2)} \cdot PO^{(3)}$		$X^{(2)} \cdot PO^{(3)}$		ns
MMC2	$t_{W}(clkL)$	Typical pulse duration, output clk low	$Y \cdot PO^{(3)}$		$Y \cdot PO^{(3)}$		ns

(1) Related with the output clk maximum and minimum frequencies programmable in I/F module.

(2) The X parameter is defined as shown in Table 6-130.

(3) PO = output clk period in ns.

PRODUCT PREVIEW

**Table 6-129. MMC/SD/SDIO Switching Characteristics – Standard MMC Mode and MMC Identification Mode (continued)**

NO.	PARAMETER		1.15 V		1.0 V		UNIT
			MIN	MAX	MIN	MAX	
	$t_{dc}(clk)$	Duty cycle error, output clk		125		125	ns
	$t_{j}(clk)$	Jitter standard deviation <sup>(4)</sup> , output clk		200		200	ps
<b>Standard MMC Mode</b>							
MMC1	$t_{c}(clk)$	Cycle time <sup>(1)</sup> , output clk period	52.1		104.2		ns
MMC2	$t_{W}(clkH)$	Typical pulse duration, output clk high	$X^{(2)} \cdot PO^{(3)}$		$X^{(2)} \cdot PO^{(3)}$		ns
MMC2	$t_{W}(clkL)$	Typical pulse duration, output clk low	$Y \cdot PO^{(3)}$		$Y \cdot PO^{(3)}$		ns
	$t_{dc}(clk)$	Duty cycle error, output clk		2604.2		5208.3	ps
	$t_{j}(clk)$	Jitter standard deviation <sup>(4)</sup> , output clk		200		200	ps
<b>MMC/SD/SDIO Interface 1 (1.8 V IO)</b>							
	$t_{c}(clk)$	Rise time, output clk		10		10	ns
	$t_{W}(clkH)$	Fall time, output clk		10		10	ns
	$t_{W}(clkL)$	Rise time, output data		10		10	ns
	$t_{dc}(clk)$	Fall time, output data		10		10	ns
MMC5	$t_{d}(CLKOH-CMD)$	Delay time, mmc1_clk rising clock edge to mmc1_cmd transition	4.3	47.8	4.3	99.9	ns
MMC6	$t_{d}(CLKOH-DATx)$	Delay time, mmc1_clk rising clock edge to mmc1_datx transition	4.3	47.8	4.3	99.9	ns
<b>MMC/SD/SDIO Interface 1 (3.0 V IO)</b>							
	$t_{c}(clk)$	Rise time, output clk		10		10	ns
	$t_{W}(clkH)$	Fall time, output clk		10		10	ns
	$t_{W}(clkL)$	Rise time, output data		10		10	ns
	$t_{dc}(clk)$	Fall time, output data		10		10	ns
MMC5	$t_{d}(CLKOH-CMD)$	Delay time, mmc1_clk rising clock edge to mmc1_cmd transition	4.3	47.8	4.3	99.9	ns
MMC6	$t_{d}(CLKOH-DATx)$	Delay time, mmc1_clk rising clock edge to mmc1_datx transition	4.3	47.8	4.3	99.9	ns
<b>MMC/SD/SDIO Interface 2</b>							
	$t_{c}(clk)$	Rise time, output clk		10		10	ns
	$t_{W}(clkH)$	Fall time, output clk		10		10	ns
	$t_{W}(clkL)$	Rise time, output data		10		10	ns
	$t_{dc}(clk)$	Fall time, output data		10		10	ns
MMC5	$t_{d}(CLKOH-CMD)$	Delay time, mmc2_clk rising clock edge to mmc2_cmd transition	4.3	47.8	4.3	99.9	ns
MMC6	$t_{d}(CLKOH-DATx)$	Delay time, mmc2_clk rising clock edge to mmc2_datx transition	4.3	47.8	4.3	99.9	ns
<b>MMC/SD/SDIO Interface 3</b>							
	$t_{c}(clk)$	Rise time, output clk		10		10	ns
	$t_{W}(clkH)$	Fall time, output clk		10		10	ns
	$t_{W}(clkL)$	Rise time, output data		10		10	ns
	$t_{dc}(clk)$	Fall time, output data		10		10	ns
MMC5	$t_{d}(CLKOH-CMD)$	Delay time, mmc3_clk rising clock edge to mmc3_cmd transition	4.3	47.8	4.3	99.9	ns
MMC6	$t_{d}(CLKOH-DATx)$	Delay time, mmc3_clk rising clock edge to mmc3_datx transition	4.3	47.8	4.3	99.9	ns

(4) The jitter probability density can be approximated by a Gaussian function.

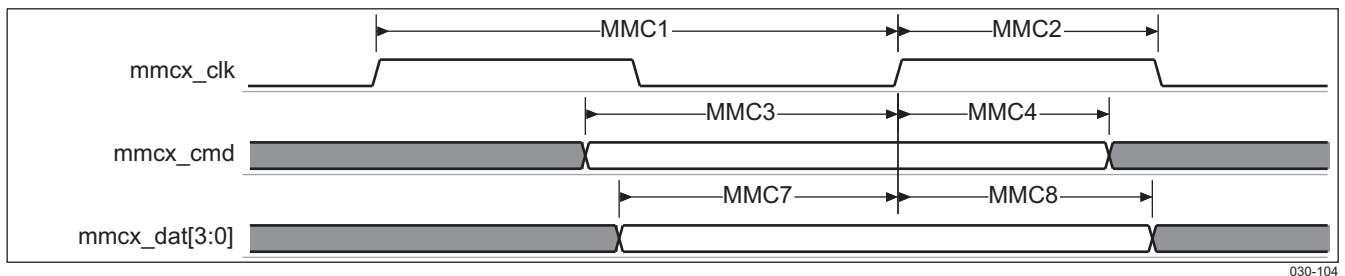
**Table 6-130. X Parameter**

<b>CLKD</b>	<b>X</b>
1 or Even	0.5
Odd	(trunk[CLKD/2]+1)/CLKD

**Table 6-131. Y Parameter**

<b>CLKD</b>	<b>Y</b>
1 or Even	0.5
Odd	(trunk[CLKD/2])/CLKD

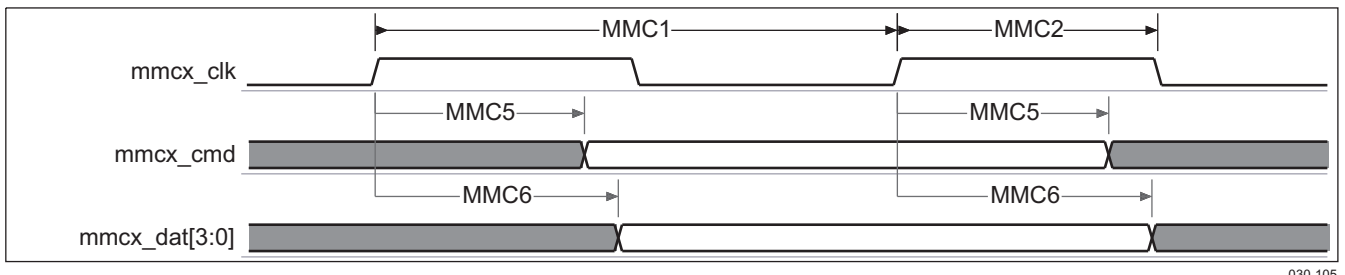
For details about clock division factor CLKD, see the *OMAP35x Technical Reference Manual (TRM)* [literature number [SPRUF98](#)].



030-104

In mmc\_x, x is equal to 1, 2, or 3.

**Figure 6-63. MMC/SD/SDIO – High-Speed and Standard MMC Modes – Data/Command Receive**



030-105

In mmc\_x, x is equal to 1, 2, or 3.

**Figure 6-64. MMC/SD/SDIO – High-Speed and Standard MMC Modes – Data/Command Transmit**

**6.7.1.4 MMC/SD/SDIO in High-Speed SD Mode**

Table 6-133 and Table 6-134 assume testing over the recommended operating conditions and electrical characteristic conditions.

**Table 6-132. MMC/SD/SDIO Timing Conditions – High-Speed SD Mode**

TIMING CONDITION PARAMETER		VALUE	UNIT
<b>High-Speed SD Mode</b>			
<b>Input Conditions</b>			
t <sub>R</sub>	Input signal rise time	3	ns
t <sub>F</sub>	Input signal fall time	3	ns
<b>Output Conditions</b>			
C <sub>LOAD</sub>	Output load capacitance	40	pF

**Table 6-133. MMC/SD/SDIO Timing Requirements – High-Speed SD Mode<sup>(1)(2)(3)</sup>**

NO.	PARAMETER		1.15 V		1.0 V		UNIT
			MIN	MAX	MIN	MAX	
<b>High-Speed SD Mode</b>							
<b>MMC/SD/SDIO Interface 1 (1.8 V IO)</b>							
HSSD3	$t_{su(CMDV-CLKIH)}$	Setup time, mmc1_cmd valid before mmc1_clk rising clock edge	5.6		26		ns
HSSD4	$t_{su(CLKIH-CMDIV)}$	Hold time, mmc1_cmd valid after mmc1_clk rising clock edge	2.3		1.9		ns
HSSD7	$t_{su(DATxV-CLKIH)}$	Setup time, mmc1_datx valid before mmc1_clk rising clock edge	5.6		26		ns
HSSD8	$t_{su(CLKIH-DATxIV)}$	Hold time, mmc1_datx valid after mmc1_clk rising clock edge	2.3		1.9		ns
<b>MMC/SD/SDIO Interface 1 (3.0 V IO)</b>							
HSSD3	$t_{su(CMDV-CLKIH)}$	Setup time, mmc1_cmd valid before mmc1_clk rising clock edge	5.6		26		ns
HSSD4	$t_{su(CLKIH-CMDIV)}$	Hold time, mmc1_cmd valid after mmc1_clk rising clock edge	2.3		1.9		ns
HSSD7	$t_{su(DATxV-CLKIH)}$	Setup time, mmc1_datx valid before mmc1_clk rising clock edge	5.6		26		ns
HSSD8	$t_{su(CLKIH-DATxIV)}$	Hold time, mmc1_datx valid after mmc1_clk rising clock edge	2.3		1.9		ns
<b>MMC/SD/SDIO Interface 2</b>							
HSSD3	$t_{su(CMDV-CLKIH)}$	Setup time, mmc2_cmd valid before mmc2_clk rising clock edge	5.6		26		ns
HSSD4	$t_{su(CLKIH-CMDIV)}$	Hold time, mmc2_cmd valid after mmc2_clk rising clock edge	2.3		1.9		ns
HSSD7	$t_{su(DATxV-CLKIH)}$	Setup time, mmc2_datx valid before mmc2_clk rising clock edge	5.6		26		ns
HSSD8	$t_{su(CLKIH-DATxIV)}$	Hold time, mmc2_datx valid after mmc2_clk rising clock edge	2.3		1.9		ns
<b>MMC/SD/SDIO Interface 3</b>							
HSSD3	$t_{su(CMDV-CLKIH)}$	Setup time, mmc3_cmd valid before mmc3_clk rising clock edge	5.6		26		ns
HSSD4	$t_{su(CLKIH-CMDIV)}$	Hold time, mmc3_cmd valid after mmc3_clk rising clock edge	2.3		1.9		ns
HSSD7	$t_{su(DATxV-CLKIH)}$	Setup time, mmc3_datx valid before mmc3_clk rising clock edge	5.6		26		ns
HSSD8	$t_{su(CLKIH-DATxIV)}$	Hold time, mmc3_datx valid after mmc3_clk rising clock edge	2.3		1.9		ns

(1) Timing Parameters are referred to output clock specified in [Table 6-134](#).

(2) The timing requirements are assured for the cycle jitter and duty cycle error conditions specified in [Table 6-134](#).

(3) In datx, x is equal to 1, 2, 3, 4, 5, 6, or 7.

**Table 6-134. MMC/SD/SDIO Switching Characteristics – High-Speed SD Mode**

NO.	PARAMETER		1.15 V		1.0 V		UNIT
			MIN	MAX	MIN	MAX	
<b>High-Speed SD Mode</b>							
HSSD1	$t_{c(clk)}$	Cycle time <sup>(1)</sup> , output clk period	20.8		41.7		ns
HSSD2	$t_{W(clkH)}$	Typical pulse duration, output clk high	$X^{(2)} \cdot PO^{(3)}$		$X^{(2)} \cdot PO^{(3)}$		ns
HSSD2	$t_{W(clkL)}$	Typical pulse duration, output clk low	$Y^{(4)} \cdot PO^{(3)}$		$Y^{(4)} \cdot PO^{(3)}$		ns

(1) Related with the output clk maximum and minimum frequencies programmable in I/F module.

(2) The X parameter is defined as shown in [Table 6-135](#).

(3) PO = output clk period in ns.

(4) The Y parameter is defined as shown in [Table 6-136](#).

**Table 6-134. MMC/SD/SDIO Switching Characteristics – High-Speed SD Mode (continued)**

NO.	PARAMETER		1.15 V		1.0 V		UNIT
			MIN	MAX	MIN	MAX	
	$t_{dc}(clk)$	Duty cycle error, output clk		1041.7		2083.3	ps
	$t_j(clk)$	Jitter standard deviation <sup>(5)</sup> , output clk		200		200	ps
<b>MMC/SD/SDIO Interface 1 (1.8 V IO)</b>							
	$t_c(clk)$	Rise time, output clk		3		3	ns
	$t_W(clkH)$	Fall time, output clk		3		3	ns
	$t_W(clkL)$	Rise time, output data		3		3	ns
	$t_{dc}(clk)$	Fall time, output data		3		3	ns
HSSD5	$t_d(CLKOH-CMD)$	Delay time, mmc1_clk rising clock edge to mmc1_cmd transition	3.7	14.1	4.1	34.5	ns
HSSD6	$t_d(CLKOH-DATx)$	Delay time, mmc1_clk rising clock edge to mmc1_datx transition	3.7	14.1	4.1	34.5	ns
<b>MMC/SD/SDIO Interface 1 (3.0 V IO)</b>							
	$t_c(clk)$	Rise time, output clk		3		3	ns
	$t_W(clkH)$	Fall time, output clk		3		3	ns
	$t_W(clkL)$	Rise time, output data		3		3	ns
	$t_{dc}(clk)$	Fall time, output data		3		3	ns
HSSD5	$t_d(CLKOH-CMD)$	Delay time, mmc1_clk rising clock edge to mmc1_cmd transition	3.7	14.1	4.1	34.5	ns
HSSD6	$t_d(CLKOH-DATx)$	Delay time, mmc1_clk rising clock edge to mmc1_datx transition	3.7	14.1	4.1	34.5	ns
<b>MMC/SD/SDIO Interface 2</b>							
	$t_c(clk)$	Rise time, output clk		3		3	ns
	$t_W(clkH)$	Fall time, output clk		3		3	ns
	$t_W(clkL)$	Rise time, output data		3		3	ns
	$t_{dc}(clk)$	Fall time, output data		3		3	ns
HSSD5	$t_d(CLKOH-CMD)$	Delay time, mmc2_clk rising clock edge to mmc2_cmd transition	3.7	14.1	4.1	34.5	ns
HSSD6	$t_d(CLKOH-DATx)$	Delay time, mmc2_clk rising clock edge to mmc2_datx transition	3.7	14.1	4.1	34.5	ns
<b>MMC/SD/SDIO Interface 3</b>							
	$t_c(clk)$	Rise time, output clk		3		3	ns
	$t_W(clkH)$	Fall time, output clk		3		3	ns
	$t_W(clkL)$	Rise time, output data		3		3	ns
	$t_{dc}(clk)$	Fall time, output data		3		3	ns
HSSD5	$t_d(CLKOH-CMD)$	Delay time, mmc3_clk rising clock edge to mmc3_cmd transition	3.7	14.1	4.1	34.5	ns
HSSD6	$t_d(CLKOH-DATx)$	Delay time, mmc3_clk rising clock edge to mmc3_datx transition	3.7	14.1	4.1	34.5	ns

(5) The jitter probability density can be approximated by a Gaussian function.

**Table 6-135. X Parameters**

CLKD	X
1 or Even	0.5
Odd	$(\text{trunk}[\text{CLKD}/2]+1)/\text{CLKD}$

Table 6-136. Y Parameters

CLKD	Y
1 or Even	0.5
Odd	(trunk[CLKD/2])/CLKD

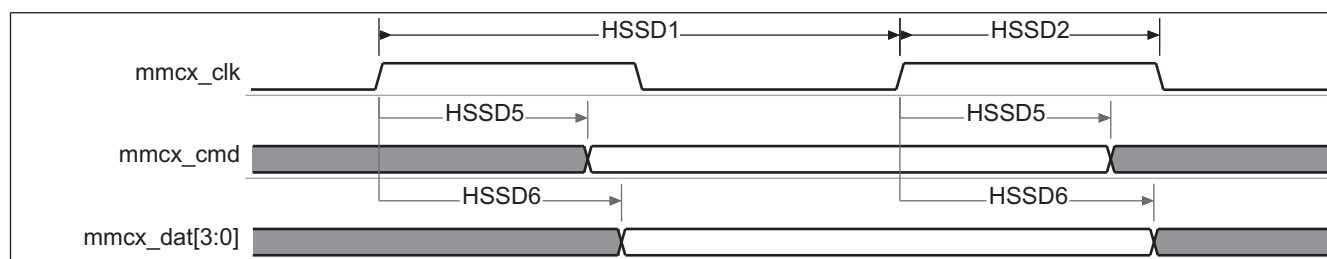
For details about clock division factor CLKD, see the *OMAP35x Technical Reference Manual (TRM)* [literature number [SPRUF98](#)].



030-106

In mmc\_x, x is equal to 1, 2, or 3.

Figure 6-65. MMC/SD/SDIO – High-Speed SD Mode – Data/Command Receive



030-107

In mmc\_x, x is equal to 1, 2, or 3.

Figure 6-66. MMC/SD/SDIO – High-Speed SD Mode – Data/Command Transmit

PRODUCT PREVIEW

### 6.7.1.5 MMC/SD/SDIO in Standard SD Mode

Table 6-138 and Table 6-139 assume testing over the recommended operating conditions and electrical characteristic conditions (see Figure 6-67).

Table 6-137. MMC/SD/SDIO Timing Conditions – Standard SD Mode

TIMING CONDITION PARAMETER	VALUE	UNIT
<b>Standard SD Mode</b>		
<b>Input Conditions</b>		
$t_R$	Input signal rise time	10 ns
$t_F$	Input signal fall time	10 ns
<b>Output Conditions</b>		
$C_{LOAD}$	Output load capacitance	40 pF

**Table 6-138. MMC/SD/SDIO Timing Requirements – Standard SD Mode<sup>(1)(2)(3)</sup>**

NO.	PARAMETER		1.15 V		1.0 V		UNIT
			MIN	MAX	MIN	MAX	
<b>Standard SD Mode</b>							
<b>MMC/SD/SDIO Interface 1 (1.8 V IO)</b>							
SD3	$t_{su}(CMDV-CLKIH)$	Setup time, mmc1_cmd valid before mmc1_clk rising clock edge	6.2		47.7		ns
SD4	$t_{su}(CLKIH-CMDIV)$	Hold time, mmc1_cmd valid after mmc1_clk rising clock edge	19.4		19.2		ns
SD7	$t_{su}(DATxV-CLKIH)$	Setup time, mmc1_datx valid before mmc1_clk rising clock edge	6.2		47.7		ns
SD8	$t_{su}(CLKIH-DATxIV)$	Hold time, mmc1_datx valid after mmc1_clk rising clock edge	19.4		19.2		ns
<b>MMC/SD/SDIO Interface 1 (3.0 V IO)</b>							
SD3	$t_{su}(CMDV-CLKIH)$	Setup time, mmc1_cmd valid before mmc1_clk rising clock edge	6.2		47.7		ns
SD4	$t_{su}(CLKIH-CMDIV)$	Hold time, mmc1_cmd valid after mmc1_clk rising clock edge	19.4		19.2		ns
SD7	$t_{su}(DATxV-CLKIH)$	Setup time, mmc1_datx valid before mmc1_clk rising clock edge	6.2		47.7		ns
SD8	$t_{su}(CLKIH-DATxIV)$	Hold time, mmc1_datx valid after mmc1_clk rising clock edge	19.4		19.2		ns
<b>MMC/SD/SDIO Interface 2</b>							
SD3	$t_{su}(CMDV-CLKIH)$	Setup time, mmc2_cmd valid before mmc2_clk rising clock edge	6.2		47.7		ns
SD4	$t_{su}(CLKIH-CMDIV)$	Hold time, mmc2_cmd valid after mmc2_clk rising clock edge	19.4		19.2		ns
SD7	$t_{su}(DATxV-CLKIH)$	Setup time, mmc2_datx valid before mmc2_clk rising clock edge	6.2		47.7		ns
SD8	$t_{su}(CLKIH-DATxIV)$	Hold time, mmc2_datx valid after mmc2_clk rising clock edge	19.4		19.2		ns
<b>MMC/SD/SDIO Interface 3</b>							
SD3	$t_{su}(CMDV-CLKIH)$	Setup time, mmc3_cmd valid before mmc3_clk rising clock edge	6.2		47.7		ns
SD4	$t_{su}(CLKIH-CMDIV)$	Hold time, mmc3_cmd valid after mmc3_clk rising clock edge	19.4		19.2		ns
SD7	$t_{su}(DATxV-CLKIH)$	Setup time, mmc3_datx valid before mmc3_clk rising clock edge	6.2		47.7		ns
SD8	$t_{su}(CLKIH-DATxIV)$	Hold time, mmc3_datx valid after mmc3_clk rising clock edge	19.4		19.2		ns

- (1) Timing parameters are referred to output clock specified in [Table 6-139](#).
- (2) The timing requirements are assured for the cycle jitter and duty cycle error conditions specified in [Table 6-139](#).
- (3) In datx, x is equal to 1, 2, 3, 4, 5, 6, or 7.

**Table 6-139. MMC/SD/SDIO Switching Characteristics – Standard SD Mode**

NO.	PARAMETER		1.15 V		1.0 V		UNIT
			MIN	MAX	MIN	MAX	
<b>Standard SD Mode</b>							
SD1	$t_{c}(clk)$	Cycle time <sup>(1)</sup> , output clk period	41.7		83.3		ns
SD2	$t_{W}(clkH)$	Typical pulse duration, output clk high	$X^{(2)}*PO^{(3)}$		$X^{(2)}*PO^{(3)}$		ns
SD2	$t_{W}(clkL)$	Typical pulse duration, output clk low	$Y^{(4)}*PO^{(3)}$		$Y^{(4)}*PO^{(3)}$		ns
	$t_{dc}(clk)$	Duty cycle error, output clk		2083.3		4166.7	ps

- (1) Related with the output clk maximum and minimum frequencies programmable in I/F module.
- (2) The X parameter is defined as shown in [Table 6-140](#).
- (3) PO = output clk period in ns.
- (4) The Y parameter is defined as shown in [Table 6-141](#).



**Table 6-139. MMC/SD/SDIO Switching Characteristics – Standard SD Mode (continued)**

NO.	PARAMETER		1.15 V		1.0 V		UNIT
			MIN	MAX	MIN	MAX	
	$t_{j(\text{clk})}$	Jitter standard deviation <sup>(5)</sup> , output clk		200		200	ps
<b>MMC/SD/SDIO Interface 1 (1.8 V IO)</b>							
	$t_{c(\text{clk})}$	Rise time, output clk		10		10	ns
	$t_{W(\text{clkH})}$	Fall time, output clk		10		10	ns
	$t_{W(\text{clkL})}$	Rise time, output data		10		10	ns
	$t_{dc(\text{clk})}$	Fall time, output data		10		10	ns
SD5	$t_{d(\text{CLKOH-CMD})}$	Delay time, mmc1_clk rising clock edge to mmc1_cmd transition	6.1	35.5	6.3	77	ns
SD6	$t_{d(\text{CLKOH-DATx})}$	Delay time, mmc1_clk rising clock edge to mmc1_datx transition	6.1	35.5	6.3	77	ns
<b>MMC/SD/SDIO Interface 1 (3.0 V IO)</b>							
	$t_{c(\text{clk})}$	Rise time, output clk		10		10	ns
	$t_{W(\text{clkH})}$	Fall time, output clk		10		10	ns
	$t_{W(\text{clkL})}$	Rise time, output data		10		10	ns
	$t_{dc(\text{clk})}$	Fall time, output data		10		10	ns
SD5	$t_{d(\text{CLKOH-CMD})}$	Delay time, mmc1_clk rising clock edge to mmc1_cmd transition	6.1	35.5	6.3	77	ns
SD6	$t_{d(\text{CLKOH-DATx})}$	Delay time, mmc1_clk rising clock edge to mmc1_datx transition	6.1	35.5	6.3	77	ns
<b>MMC/SD/SDIO Interface 2</b>							
	$t_{c(\text{clk})}$	Rise time, output clk		10		10	ns
	$t_{W(\text{clkH})}$	Fall time, output clk		10		10	ns
	$t_{W(\text{clkL})}$	Rise time, output data		10		10	ns
	$t_{dc(\text{clk})}$	Fall time, output data		10		10	ns
SD5	$t_{d(\text{CLKOH-CMD})}$	Delay time, mmc2_clk rising clock edge to mmc2_cmd transition	6.1	35.5	6.3	77	ns
SD6	$t_{d(\text{CLKOH-DATx})}$	Delay time, mmc2_clk rising clock edge to mmc2_datx transition	6.1	35.5	6.3	77	ns
<b>MMC/SD/SDIO Interface 3</b>							
	$t_{c(\text{clk})}$	Rise time, output clk		10		10	ns
	$t_{W(\text{clkH})}$	Fall time, output clk		10		10	ns
	$t_{W(\text{clkL})}$	Rise time, output data		10		10	ns
	$t_{dc(\text{clk})}$	Fall time, output data		10		10	ns
SD5	$t_{d(\text{CLKOH-CMD})}$	Delay time, mmc3_clk rising clock edge to mmc3_cmd transition	6.1	35.5	6.3	77	ns
SD6	$t_{d(\text{CLKOH-DATx})}$	Delay time, mmc3_clk rising clock edge to mmc3_datx transition	6.1	35.5	6.3	77	ns

(5) The jitter probability density can be approximated by a Gaussian function.

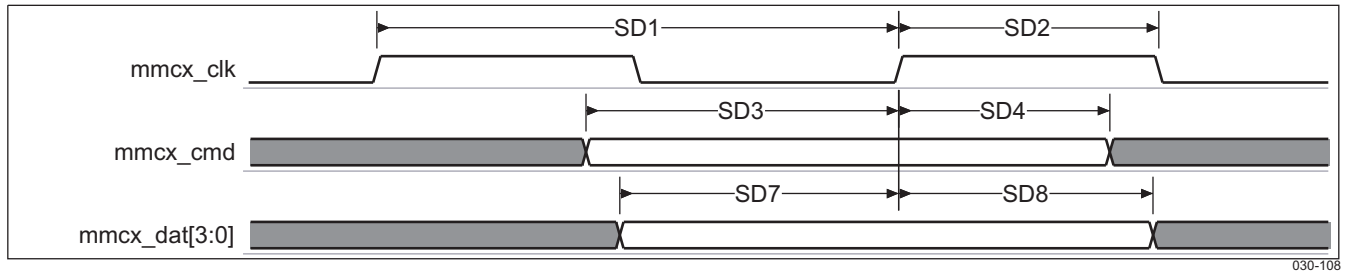
**Table 6-140. X Parameter**

CLKD	X
1 or Even	0.5
Odd	$(\text{trunk}[\text{CLKD}/2]+1)/\text{CLKD}$

**Table 6-141. Y Parameter**

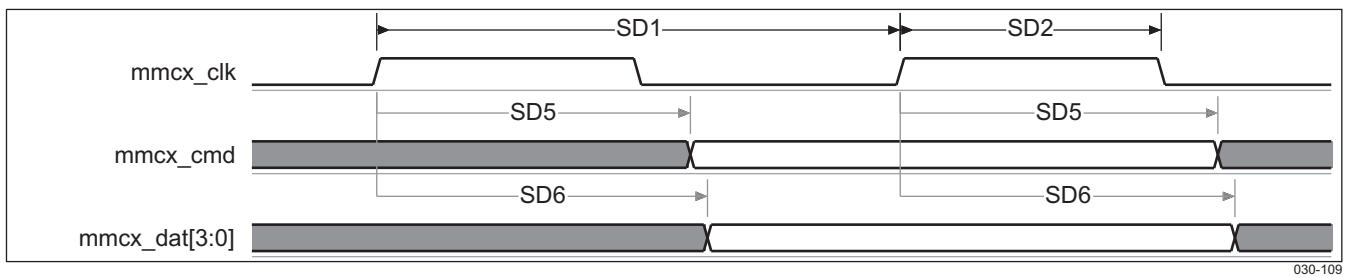
CLKD	Y
1 or Even	0.5
Odd	$(\text{trunk}[\text{CLKD}/2])/ \text{CLKD}$

For details about clock division factor CLKD, see the *OMAP35x Technical Reference Manual (TRM)* [literature number [SPRUF98](#)].



In mmc\_x, x is equal to 1, 2, or 3.

**Figure 6-67. MMC/SD/SDIO – Standard SD Mode – Data/Command Receive**



In mmc\_x, x is equal to 1, 2, or 3.

**Figure 6-68. MMC/SD/SDIO – Standard SD Mode – Data/Command Transmit**

PRODUCT PREVIEW

## 6.8 Test Interfaces

The emulation and trace interfaces allow tracing activities of the following CPUs:

- ARM1136JF-STM through an Embedded Trace Macro-cell (ETM11) dedicated to enable real-time trace of the ARM subsystem operations and a Serial Debug Trace Interface (SDTI)
- IVA2 DSP through a high-speed real-time data exchange (HS-RTDX) controller

All processors can be emulated via JTAG ports.

### 6.8.1 Embedded Trace Macro Interface (ETM)

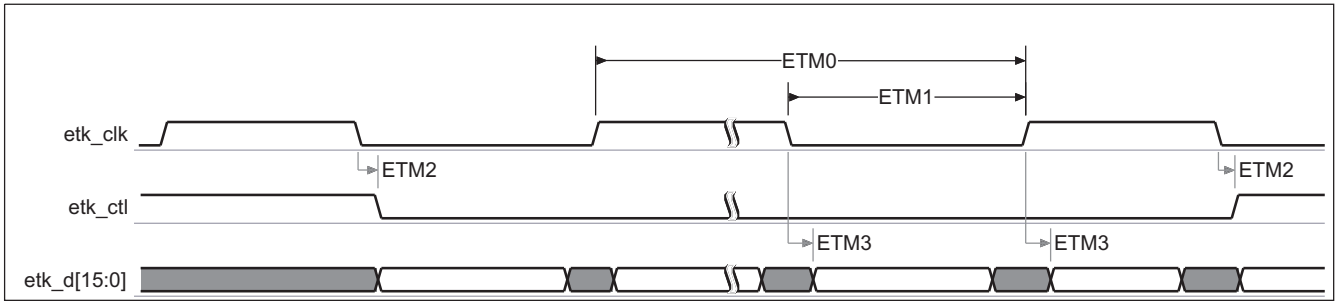
Table 6-142 assumes testing over the recommended operating conditions (see Figure 6-69).

**Table 6-142. Embedded Trace Macro Interface Switching Characteristics<sup>(1)</sup>**

NO.	PARAMETER		1.15 V		UNIT
			MIN	MAX	
f	$1/t_{c(CLK)}$	Frequency, etk_clk		166	MHz
ETM0	$t_{c(CLK)}$	Cycle time <sup>(2)</sup> , etk_clk	6		ns
ETM1	$t_{W(CLK)}$	Clock pulse width, etk_clk	2.7		ns
ETM2	$t_{d(CLK-CTL)}$	Delay time, etk_clk clock edge to etk_ctl transition	-0.5	0.5	ns
ETM3	$t_{d(CLK-D)}$	Delay time, etk_clk clock high to etk_d[15:0] transition	-0.5	0.5	ns

(1) The capacitive load is equivalent to 25 pF.

(2) Cycle time is given by considering a jitter of 5%.



030-110

**Figure 6-69. Embedded Trace Macro Interface**

### 6.8.2 System Debug Trace Interface (SDTI)

The system debug trace interface (SDTI) module provides real-time software tracing functionality to the OMAP3530/25 device.

The trace interface has four trace data pins and a trace clock pin.

This interface is a dual-edge interface: the data are available on rising and falling edges of sdti\_clk but can be also configured in single edge mode where data are available on falling edge of sdti\_clk.

Serial interface operates in clock stop regime: serial clock is not free running, when there is no trace data there is no trace clock.

#### 6.8.2.1 System Debug Trace Interface in Dual-Edge Mode

Table 6-144 assumes testing over the recommended operating conditions and electrical characteristic conditions (see Figure 6-70).

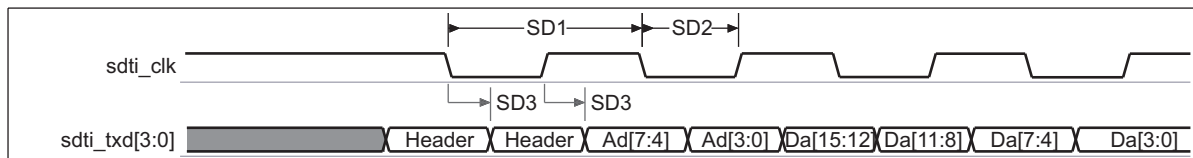
**Table 6-143. System Debug Trace Interface Timing Conditions – Dual-Edge Mode**

TIMING CONDITION PARAMETER		VALUE	UNIT
<b>Output Conditions</b>			
C <sub>LOAD</sub>	Output load capacitance	25	pF

**Table 6-144. System Debug Trace Interface Switching Characteristics – Dual-Edge Mode**

NO.	PARAMETER		1.15 V		1.0 V		UNIT
			MIN	MAX	MIN	MAX	
SD1	t <sub>c</sub> (CLK)	Cycle time, sdti_clk period	29		29		ns
SD2	t <sub>w</sub> (CLK)	Typical pulse duration, sdti_clk high or low	0.5*P <sup>(1)</sup>		0.5*P <sup>(1)</sup>		ns
	t <sub>dc</sub> (CLK)	Duty cycle error, sdti_clk	-1.2	1.2	-1.2	1.2	ns
	t <sub>R</sub> (CLK)	Rise time, sdti_clk		5		5	ns
	t <sub>F</sub> (CLK)	Fall time, sdti_clk		5		5	ns
SD3	t <sub>d</sub> (CLK-TxD)	Multiplexing mode on etk pins	2.3	10.9	2.3	10.9	ns
		Multiplexing mode on jtag_emu pins	2.3	13.9	2.3	13.9	
	t <sub>R</sub> (CLK)	Rise time, sdti_txd[3:0]		5		5	ns
	t <sub>F</sub> (CLK)	Fall time, sdti_txd[3:0]		5		5	ns

(1) P = sdti\_clk clock period



030-111

**Figure 6-70. System Debug Trace Interface – Dual-Edge Mode**

**6.8.2.2 System Debug Trace Interface in Single-Edge Mode**

Table 6-146 assumes testing over the recommended operating conditions and electrical characteristic conditions (see Figure 6-71).

**Table 6-145. System Debug Trace Interface Timing Conditions – Single-Edge Mode**

TIMING CONDITION PARAMETER		VALUE	UNIT
<b>Output Conditions</b>			
C <sub>LOAD</sub>	Output load capacitance	25	pF

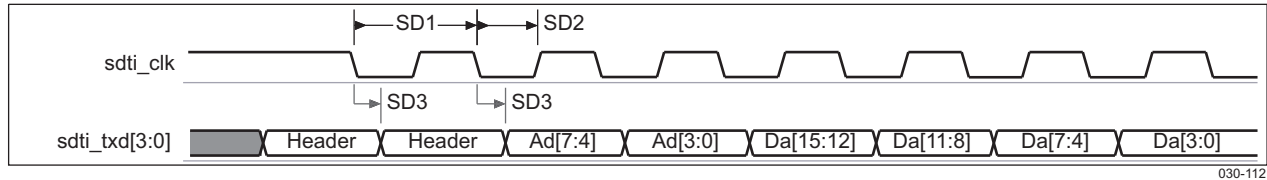
**Table 6-146. System Debug Trace Interface Switching Characteristics – Single-Edge Mode**

NO.	PARAMETER		1.15 V		1.0 V		UNIT
			MIN	MAX	MIN	MAX	
SD1	t <sub>c</sub> (CLK)	Cycle time, sdti_clk period	29		29		ns
SD2	t <sub>w</sub> (CLK)	Typical pulse duration, sdti_clk high or low	0.5*P <sup>(1)</sup>		0.5*P <sup>(1)</sup>		ns
	t <sub>dc</sub> (CLK)	Duty cycle error, sdti_clk	-1.2	1.2	-1.2	1.2	ns
	t <sub>R</sub> (CLK)	Rise time, sdti_clk		5		5	ns
	t <sub>F</sub> (CLK)	Fall time, sdti_clk		5		5	ns
SD3	t <sub>d</sub> (CLK-TxD)	Multiplexing mode on etk pins	2.3	26.5	2.3	26.5	ns
		Multiplexing mode on jtag_emu pins	2.3	33.2	2.3	33.2	
	t <sub>R</sub> (CLK)	Rise time, sdti_txd[3:0]		5		5	ns

(1) P = sdti\_clk clock period.

**Table 6-146. System Debug Trace Interface Switching Characteristics – Single-Edge Mode (continued)**

NO.	PARAMETER		1.15 V		1.0 V		UNIT
			MIN	MAX	MIN	MAX	
	$t_{F(CLK)}$	Fall time, $sdti\_txd[3:0]$		5		5	ns



030-112

**Figure 6-71. System Debug Trace Interface – Single-Edge Mode**

### 6.8.3 JTAG Interfaces

OMAP3530/25 JTAG TAP controller handles standard IEEE JTAG interfaces. The following sections define the timing requirements for several tools used to test the OMAP3530/25 processors as:

- Free running clock tool, like XDS560 and XDS510 tools
- Adaptive clock tool, like RealView® ICE tool and Lauterbach™ tool

#### 6.8.3.1 JTAG – Free Running Clock Mode

Table 6-148 and Table 6-149 assume testing over the recommended operating conditions and electrical characteristic conditions (see Figure 6-72).

**Table 6-147. JTAG Timing Conditions – Free Running Clock Mode**

TIMING CONDITION PARAMETER		VALUE	UNIT
<b>Input Conditions</b>			
$t_R$	Input signal rise time	5	ns
$t_F$	Input signal fall time	5	ns
<b>Output Conditions</b>			
$C_{LOAD}$	Output load capacitance	30	pF

**Table 6-148. JTAG Timing Requirements – Free Running Clock Mode<sup>(1)</sup>**

NO.	PARAMETER		1.15 V		1.0 V		UNIT
			MIN	MAX	MIN	MAX	
JT4	$t_{c(tck)}$	Cycle time <sup>(2)</sup> , $jtag\_tck$ period	25		33		ns
JT5	$t_{w(tckL)}$	Typical pulse duration, $jtag\_tck$ low	0.5*P <sup>(3)</sup>		0.5*P <sup>(3)</sup>		ns
JT6	$t_{w(tckH)}$	Typical pulse duration, $jtag\_tck$ high	0.5*P <sup>(3)</sup>		0.5*P <sup>(3)</sup>		ns
	$t_{dc(tck)}$	Duty cycle error, $jtag\_tck$	-1250	1250	-1667	1667	ps
	$t_{j(tck)}$	Cycle jitter <sup>(4)</sup> , $jtag\_tck$	-1250	1250	-1667	1667	ps
JT7	$t_{su(tdiV-rtckH)}$	Setup time, $jtag\_tdi$ valid before $jtag\_rtck$ high	1.8		1.8		ns
JT8	$t_{h(tdiV-rtckH)}$	Hold time, $jtag\_tdi$ valid after $jtag\_rtck$ high	0.7		1		ns
JT9	$t_{su(tmsV-rtckH)}$	Setup time, $jtag\_tms$ valid before $jtag\_rtck$ high	1.8		1.8		ns
JT10	$t_{h(tmsV-rtckH)}$	Hold time, $jtag\_tms$ valid after $jtag\_rtck$ high	0.7		1		ns
JT12	$t_{su(emuV-rtckH)}$	Setup time, $jtag\_emux$ <sup>(5)</sup> valid before $jtag\_rtck$ high	14.6		19.8		ns
JT13	$t_{h(emuV-rtckH)}$	Hold time, $jtag\_emux$ <sup>(5)</sup> valid after $jtag\_rtck$ high	2		2.7		ns

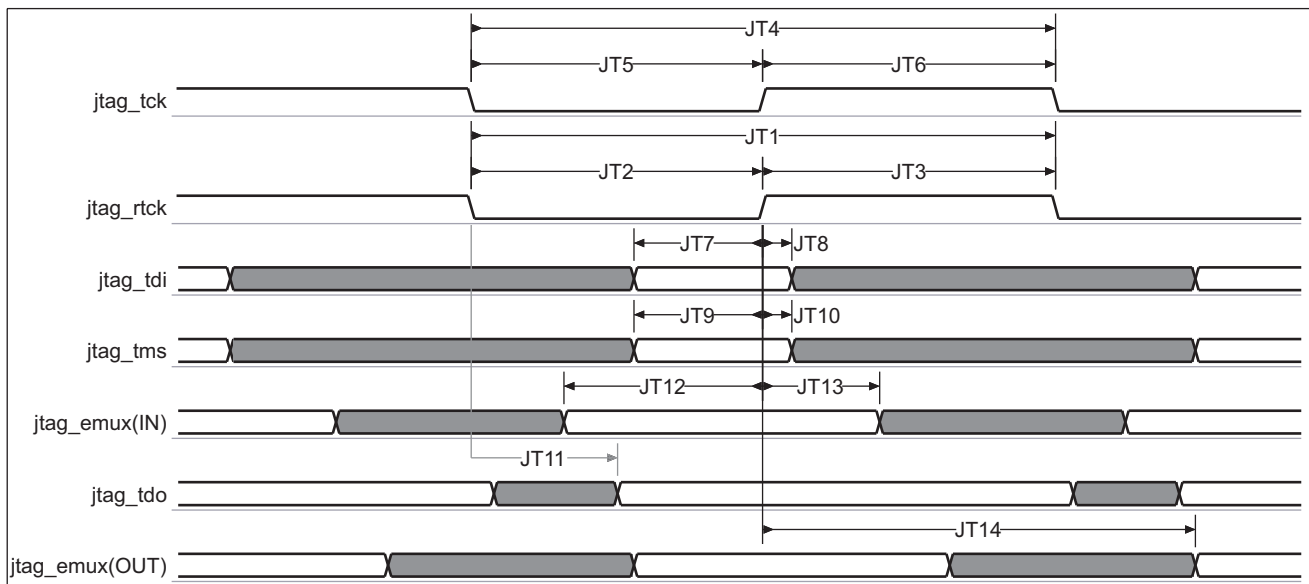
- (1) The timing requirements are assured for the cycle jitter and duty cycle error conditions specified.  
(2) Related with the input maximum frequency supported by the JTAG module.  
(3) P =  $jtag\_tck$  period in ns.  
(4) Maximum cycle jitter supported by  $jtag\_tck$  input clock.  
(5) x = 0 to 1

**Table 6-149. JTAG Switching Characteristics – Free Running Clock Mode**

NO.	PARAMETER		1.15 V		1.0 V		UNIT
			MIN	MAX	MIN	MAX	
JT1	$t_{c(rtck)}$	Cycle time <sup>(1)</sup> , jtag_rtck period	25		33		ns
JT2	$t_w(rtckL)$	Typical pulse duration, jtag_rtck low	0.5*PO <sup>(2)</sup>		0.5*PO <sup>(2)</sup>		ns
JT3	$t_w(rtckH)$	Typical pulse duration, jtag_rtck high	0.5*PO <sup>(2)</sup>		0.5*PO <sup>(2)</sup>		ns
	$t_{dc(rtck)}$	Duty cycle error, jtag_rtck	-1250	1250	-1667	1667	ps
	$t_j(rtck)$	Jitter standard deviation <sup>(3)</sup> , jtag_rtck		33.3		33.3	ps
	$t_R(rtck)$	Rise time, jtag_rtck		4		4	ns
	$t_F(rtck)$	Fall time, jtag_rtck		4		4	ns
JT11	$t_d(rtckL\text{-}tdoV)$	Delay time, jtag_rtck low to jtag_tdo valid	-5.8	5.8	-7.9	7.9	ns
	$t_R(tdo)$	Rise time, jtag_tdo		4		4	ns
	$t_F(tdo)$	Fall time, jtag_tdo		4		4	ns
JT14	$t_d(rtckH\text{-}emuxV)$	Delay time, jtag_rtck high to ,jtag_emux <sup>(4)</sup> valid	2.7	15.1	2.7	20.4	ns
	$t_R(emux)$	Rise time, jtag_emux <sup>(4)</sup>		6		6	ns
	$t_F(emux)$	Fall time, jtag_emux <sup>(4)</sup>		6		6	ns

- (1) Related with the jtag\_rtck maximum frequency.
- (2) PO = jtag\_rtck period in ns.
- (3) The jitter probability density can be approximated by a Gaussian function.
- (4) x = 0 to 1

PRODUCT PREVIEW



030-113

In jtag\_emux, x is equal to 0 to 1.

**Figure 6-72. JTAG Interface Timing – Free Running Clock Mode**

**6.8.3.2 JTAG – Adaptive Clock Mode**

Table 6-151 and Table 6-152 assume testing over the recommended operating conditions and electrical characteristic conditions (see Figure 6-73):

**Table 6-150. JTAG Timing Conditions – Adaptive Clock Mode**

TIMING CONDITION PARAMETER		VALUE	UNIT
<b>Input Conditions</b>			
$t_R$	Input signal rise time	5	ns
$t_F$	Input signal fall time	5	ns
<b>Output Conditions</b>			
$C_{LOAD}$	Output load capacitance	30	pF

**Table 6-151. JTAG Timing Requirements – Adaptive Clock Mode<sup>(1)</sup>**

NO.	PARAMETER		1.15 V		1.0 V		UNIT
			MIN	MAX	MIN	MAX	
JA4	$t_{c(tck)}$	Cycle time <sup>(2)</sup> , jtag_tck period	50		50		ns
JA5	$t_{w(tckL)}$	Typical pulse duration, jtag_tck low	0.5*P <sup>(3)</sup>		0.5*P <sup>(3)</sup>		ns
JA6	$t_{w(tckH)}$	Typical pulse duration, jtag_tck high	0.5*P <sup>(3)</sup>		0.5*P <sup>(3)</sup>		ns
	$t_{dc(tclk)}$	Duty cycle error, jtag_tck	-2500	2500	-2500	2500	ps
	$t_{j(tclk)}$	Cycle jitter <sup>(4)</sup> , jtag_tck	-1500	1500	-1500	1500	ps
JA7	$t_{su(tdiV-tckH)}$	Setup time, jtag_tdi valid before jtag_tck high	13.8		13.8		ns
JA8	$t_{h(tdiV-tckH)}$	Hold time, jtag_tdi valid after jtag_tck high	13.8		13.8		ns
JA9	$t_{su(tmsV-tckH)}$	Setup time, jtag_tms valid before jtag_tck high	13.8		13.8		ns
JA10	$t_{h(tmsV-tckH)}$	Hold time, jtag_tms valid after jtag_tck high	13.8		13.8		ns

- (1) The timing requirements are assured for the cycle jitter and duty cycle error conditions specified.  
(2) Related with the input maximum frequency supported by the JTAG module.  
(3) P = jtag\_tck period in ns.  
(4) Maximum cycle jitter supported by jtag\_tck input clock.

**Table 6-152. JTAG Switching Characteristics – Adaptive Clock Mode**

NO.	PARAMETER		1.15 V		1.0 V		UNIT
			MIN	MAX	MIN	MAX	
JA1	$t_{c(rtck)}$	Cycle time <sup>(1)</sup> , jtag_rtck period	50		50		ns
JA2	$t_{w(rtckL)}$	Typical pulse duration, jtag_rtck low	0.5*PO <sup>(2)</sup>		0.5*PO <sup>(2)</sup>		ns
JA3	$t_{w(rtckH)}$	Typical pulse duration, jtag_rtck high	0.5*PO <sup>(2)</sup>		0.5*PO <sup>(2)</sup>		ns
	$t_{dc(rtck)}$	Duty cycle error, jtag_rtck	-2500	2500	-2500	2500	ps
	$t_{j(rtck)}$	Jitter standard deviation <sup>(3)</sup> , jtag_rtck		33.3		33.3	ps
	$t_{R(rtck)}$	Rise time, jtag_rtck		4		4	ns
	$t_{F(rtck)}$	Fall time, jtag_rtck		4		4	ns
JA11	$t_{d(rtckL-tdoV)}$	Delay time, jtag_rtck low to jtag_tdo valid	-14.6	14.6	-14.6	14.6	ns
	$t_{R(tdo)}$	Rise time, jtag_tdo,		4		4	ns
	$t_{F(tdo)}$	Fall time, jtag_tdo		4		4	ns

- (1) Related with the jtag\_rtck maximum frequency programmable.  
(2) PO = jtag\_rtck period in ns.  
(3) The jitter probability density can be approximated by a Gaussian function.



030-114

Figure 6-73. JTAG Interface Timing – Adaptive Clock Mode

PRODUCT PREVIEW



## 7 PACKAGE CHARACTERISTICS

### 7.1 Package Thermal Resistance

Table 7-1 provides the thermal resistance characteristics for the recommended package types used on the OMAP3530/25 Applications Processor.

**Table 7-1. OMAP3530/25 Thermal Resistance Characteristics<sup>(1)(2)</sup>**

Package	Power (W)	R <sub>θJA</sub> (°C/W)	R <sub>θJB</sub> (°C/W)	R <sub>θJC</sub> (°C/W)	Board Type
OMAP3530/25 (CBB Pkg.)	TBD	24.46	10.94	0.01	2S2P <sup>(3)</sup>
OMAP35 30/25 (CBC Pkg.)	TBD	TBD	TBD	TBD	TBD
OMAP35 30/25 (CUS Pkg.)	TBD	TBD	TBD	TBD	TBD

(1) Not applicable since the POP package has a memory package on top, no heat sink can be used. (TBD)

(2) R<sub>θJA</sub> (Theta-JA) = Thermal Resistance Junction-to-Ambient, °C/W

R<sub>θJB</sub> (Theta-JB) = Thermal Resistance Junction-to-Board, °C/W

R<sub>θJC</sub> (Theta-JC) = Thermal Resistance Junction-to-Case, °C/W

(3) The board types are defined by JEDEC (reference JEDEC standard JESD51-9, Test Board for Area Array Surface Mount Package Thermal Measurements).

### 7.2 Device Support

#### 7.2.1 Development Support (TBD)

TBD

#### 7.2.2 Device and Development-Support Tool Nomenclature

To designate the stages in the product development cycle, TI assigns prefixes to the part numbers of all OMAP™ processors and support tools. Each OMAP device has one of three prefixes: X, P, or null (no prefix). Texas Instruments recommends two of three possible prefix designators for its support tools: TMDX and TMDS. These prefixes represent evolutionary stages of product development from engineering prototypes (TMDX) through fully qualified production devices/tools (TMDS).

Device development evolutionary flow:

**X** Experimental device that is not necessarily representative of the final device's electrical specifications and may not use production assembly flow. (TMX definition)

**P** Prototype device that is not necessarily the final silicon die and may not necessarily meet final electrical specifications. (TMP definition)

**null** Production version of the silicon die that is fully qualified. (TMS definition)

Support tool development evolutionary flow:

**TMDX** Development support product that has not yet completed Texas Instruments internal qualification testing.

**TMDS** Fully qualified development support product.

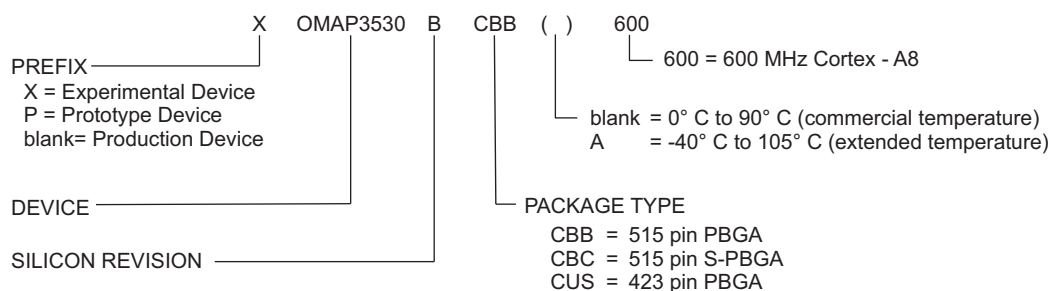
TMX and TMP devices and TMDX development-support tools are shipped against the following disclaimer:

“Developmental product is intended for internal evaluation purposes.”

Production devices and TMDS development-support tools have been characterized fully, and the quality and reliability of the device have been demonstrated fully. TI's standard warranty applies.

Predictions show that prototype devices (X or P), have a greater failure rate than the standard production devices. Texas Instruments recommends that these devices not be used in any production system because their expected end-use failure rate still is undefined. Only qualified production devices are to be used.

For additional description of the device nomenclature markings, see the *OMAP35x Applications Processor Silicon Errata* (literature number [SPRZ278](#)).



**Figure 7-1. Device Nomenclature**

## 7.2.3 Documentation Support

### 7.2.3.1 Related Documentation from Texas Instruments

The following documents describe the OMAP3530/25 Applications Processor. Copies of these documents are available on the Internet at [www.ti.com](http://www.ti.com). Tip: Enter the literature number in the search box provided at [www.ti.com](http://www.ti.com).

The current documentation that describes the OMAP3530/25 Applications Processor, related peripherals, and other technical collateral, is available in the product folder at: [www.ti.com](http://www.ti.com).

**[SPRUF98](#) *OMAP35x Technical Reference Manual.*** Collection of documents providing detailed information on the OMAP3 architecture including power, reset, and clock control, interrupts, memory map, and switch fabric interconnect. Detailed information on the microprocessor unit (MPU) subsystem, the image, video, and audio (IVA2.2) subsystem, as well a functional description of the peripherals supported on OMAP35x devices is also included.

**[SPRU732](#) *TMS320C64x/C64x+ DSP CPU and Instruction Set Reference Guide.*** Describes the CPU architecture, pipeline, instruction set, and interrupts for the TMS320C64x and TMS320C64x+ digital signal processors (DSPs) of the TMS320C6000 DSP family. The C64x/C64x+ DSP generation comprises fixed-point devices in the C6000 DSP platform. The C64x+ DSP is an enhancement of the C64x DSP with added functionality and an expanded instruction set.

**[SPRU871](#) *TMS320C64x+ DSP Megamodule Reference Guide.*** Describes the TMS320C64x+ digital signal processor (DSP) megamodule. Included is a discussion on the internal direct memory access (IDMA) controller, the interrupt controller, the power-down controller, memory protection, bandwidth management, and the memory and cache.

**[SPRU889](#) *High-Speed DSP Systems Design Reference Guide.*** Provides recommendations for meeting the many challenges of high-speed DSP system design. These recommendations include information about DSP audio, video, and communications systems for the C5000 and C6000 DSP platforms.

### 7.2.3.2 Related Documentation from Other Sources

The following documents are related to the OMAP3530/25 Applications Processor. Copies of these documents can be obtained directly from the internet or from your Texas Instruments representative.

**Cortex™-A8 Technical Reference Manual.** This is the technical reference manual for the Cortex-A8 processor. A copy of this document can be obtained via the internet at <http://infocenter.arm.com>. Please see the *OMAP35x Applications Processor Silicon Errata* (literature number [SPRZ278](#)) to determine the revision of the Cortex-A8 core used on your device.

**ARM Core Cortex™-A8 (AT400/AT401) Errata Notice.** Provides a list of advisories for the different revisions of the Cortex-A8 processor. Contact your TI representative for a copy of this document. Please see the *OMAP35x Applications Processor Silicon Errata* (literature number [SPRZ278](#)) to determine the revision of the Cortex-A8 core used on your device.

**PACKAGING INFORMATION**

Orderable Device	Status <sup>(1)</sup>	Package Type	Package Drawing	Pins	Package Qty	Eco Plan <sup>(2)</sup>	Lead/Ball Finish	MSL Peak Temp <sup>(3)</sup>
XOMAP3525BCBB	ACTIVE	POP-FCBGA	CBB	515	168	Green (RoHS & no Sb/Br)	SNAGCU	Level-3-260C-168 HR
XOMAP3525BCUS	ACTIVE	FCBGA	CUS	423	90	TBD	Call TI	Call TI
XOMAP3530BCBB	ACTIVE	POP-FCBGA	CBB	515	168	TBD	Call TI	Call TI
XOMAP3530BCBC	ACTIVE	POP-FCBGA	CBC	515	119	TBD	Call TI	Call TI
XOMAP3530BCUS	ACTIVE	FCBGA	CUS	423	90	TBD	Call TI	Call TI

<sup>(1)</sup> The marketing status values are defined as follows:

**ACTIVE:** Product device recommended for new designs.

**LIFEBUY:** TI has announced that the device will be discontinued, and a lifetime-buy period is in effect.

**NRND:** Not recommended for new designs. Device is in production to support existing customers, but TI does not recommend using this part in a new design.

**PREVIEW:** Device has been announced but is not in production. Samples may or may not be available.

**OBSOLETE:** TI has discontinued the production of the device.

<sup>(2)</sup> Eco Plan - The planned eco-friendly classification: Pb-Free (RoHS), Pb-Free (RoHS Exempt), or Green (RoHS & no Sb/Br) - please check <http://www.ti.com/productcontent> for the latest availability information and additional product content details.

**TBD:** The Pb-Free/Green conversion plan has not been defined.

**Pb-Free (RoHS):** TI's terms "Lead-Free" or "Pb-Free" mean semiconductor products that are compatible with the current RoHS requirements for all 6 substances, including the requirement that lead not exceed 0.1% by weight in homogeneous materials. Where designed to be soldered at high temperatures, TI Pb-Free products are suitable for use in specified lead-free processes.

**Pb-Free (RoHS Exempt):** This component has a RoHS exemption for either 1) lead-based flip-chip solder bumps used between the die and package, or 2) lead-based die adhesive used between the die and leadframe. The component is otherwise considered Pb-Free (RoHS compatible) as defined above.

**Green (RoHS & no Sb/Br):** TI defines "Green" to mean Pb-Free (RoHS compatible), and free of Bromine (Br) and Antimony (Sb) based flame retardants (Br or Sb do not exceed 0.1% by weight in homogeneous material)

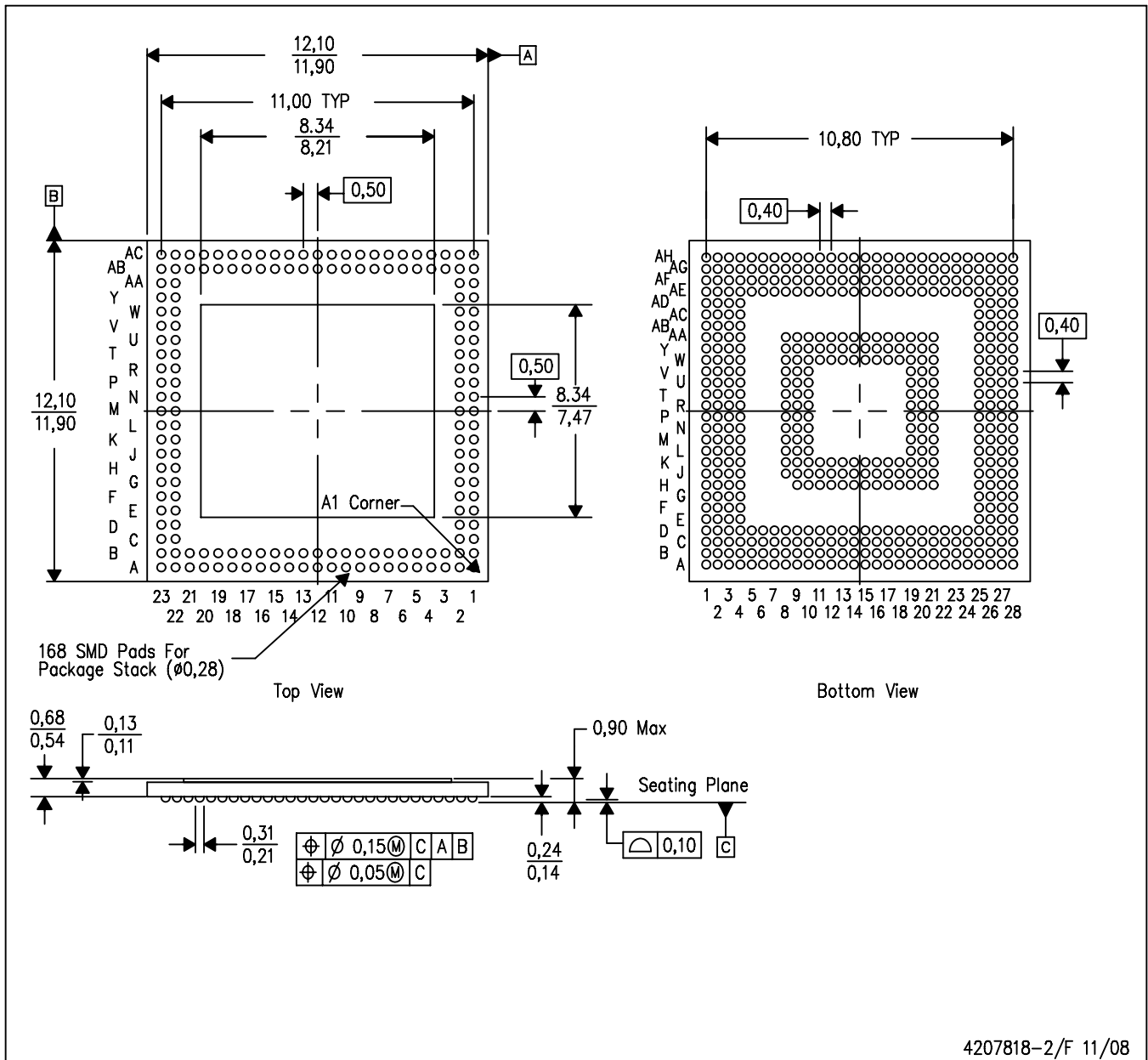
<sup>(3)</sup> MSL, Peak Temp. -- The Moisture Sensitivity Level rating according to the JEDEC industry standard classifications, and peak solder temperature.

**Important Information and Disclaimer:**The information provided on this page represents TI's knowledge and belief as of the date that it is provided. TI bases its knowledge and belief on information provided by third parties, and makes no representation or warranty as to the accuracy of such information. Efforts are underway to better integrate information from third parties. TI has taken and continues to take reasonable steps to provide representative and accurate information but may not have conducted destructive testing or chemical analysis on incoming materials and chemicals. TI and TI suppliers consider certain information to be proprietary, and thus CAS numbers and other limited information may not be available for release.

In no event shall TI's liability arising out of such information exceed the total purchase price of the TI part(s) at issue in this document sold by TI to Customer on an annual basis.

CBB (S-PBGA-N515)

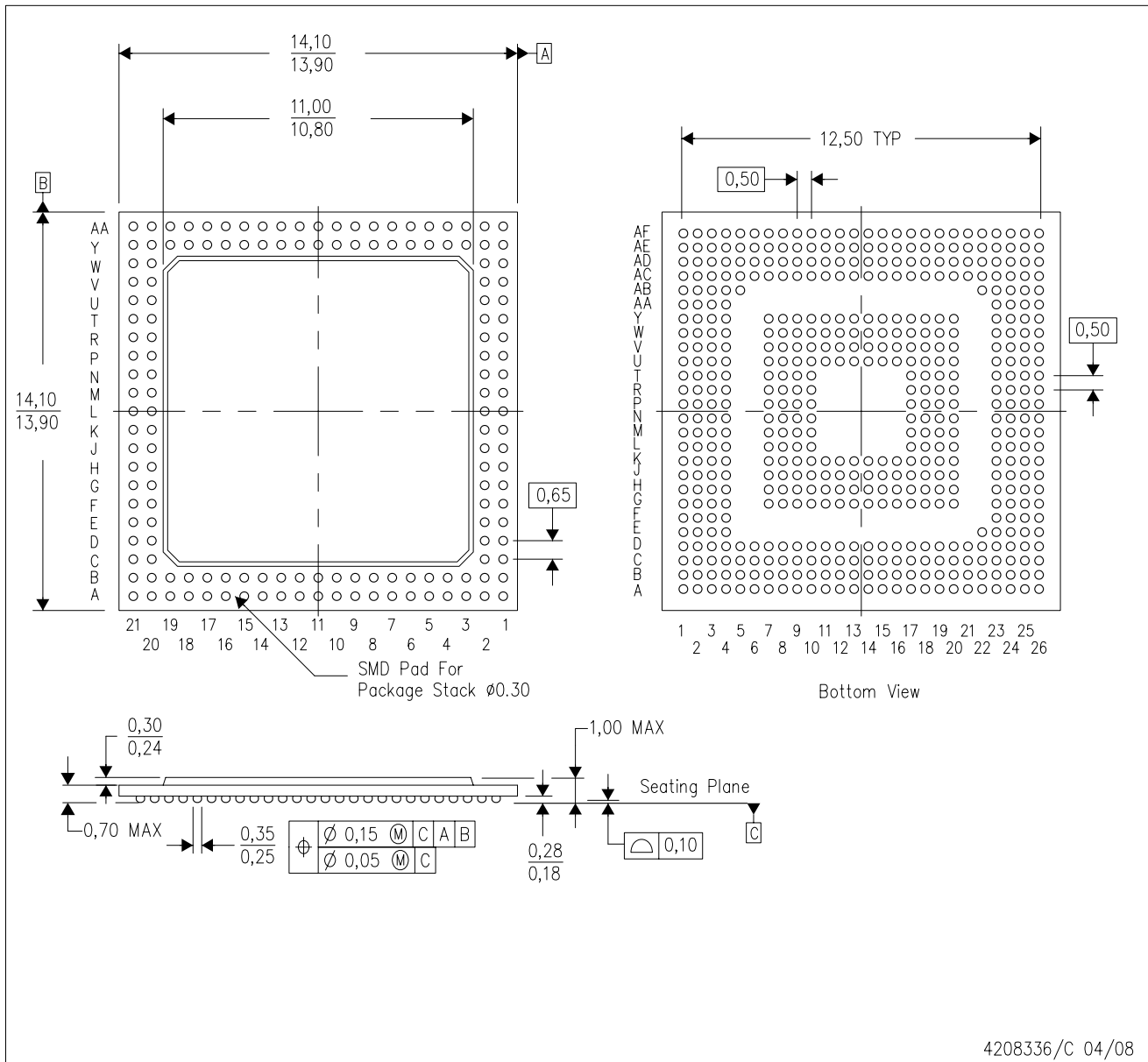
PLASTIC BALL GRID ARRAY



- NOTES:
- A. All linear dimensions are in millimeters.
  - B. This drawing is subject to change without notice.
  - C. Flip chip application only.
  - D. Lead-free die bump and solder ball.

CBC (S-PBGA-N515)

PLASTIC BALL GRID ARRAY

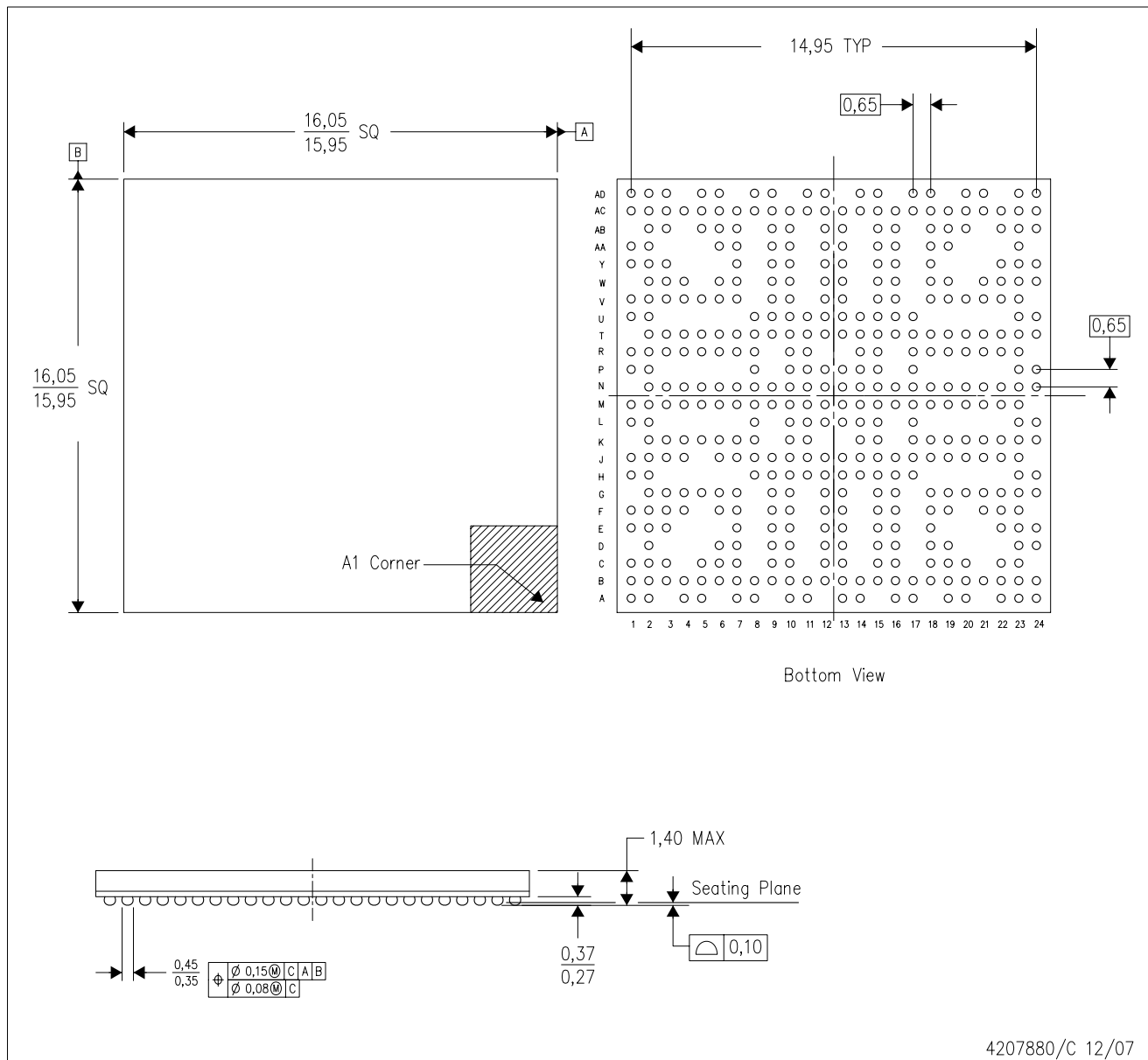


4208336/C 04/08

- NOTES:
- A. All linear dimensions are in millimeters.
  - B. This drawing is subject to change without notice.
  - C. Flip chip application only.
  - D. Lead-free die bump and solder ball.

CUS (S-PBGA-N423)

PLASTIC BALL GRID ARRAY



- NOTES:
- A. All linear dimensions are in millimeters.
  - B. This drawing is subject to change without notice.
  - C. Flip chip application only.
  - D. Lead-free die bump and solder ball.

## IMPORTANT NOTICE

Texas Instruments Incorporated and its subsidiaries (TI) reserve the right to make corrections, modifications, enhancements, improvements, and other changes to its products and services at any time and to discontinue any product or service without notice. Customers should obtain the latest relevant information before placing orders and should verify that such information is current and complete. All products are sold subject to TI's terms and conditions of sale supplied at the time of order acknowledgment.

TI warrants performance of its hardware products to the specifications applicable at the time of sale in accordance with TI's standard warranty. Testing and other quality control techniques are used to the extent TI deems necessary to support this warranty. Except where mandated by government requirements, testing of all parameters of each product is not necessarily performed.

TI assumes no liability for applications assistance or customer product design. Customers are responsible for their products and applications using TI components. To minimize the risks associated with customer products and applications, customers should provide adequate design and operating safeguards.

TI does not warrant or represent that any license, either express or implied, is granted under any TI patent right, copyright, mask work right, or other TI intellectual property right relating to any combination, machine, or process in which TI products or services are used. Information published by TI regarding third-party products or services does not constitute a license from TI to use such products or services or a warranty or endorsement thereof. Use of such information may require a license from a third party under the patents or other intellectual property of the third party, or a license from TI under the patents or other intellectual property of TI.

Reproduction of TI information in TI data books or data sheets is permissible only if reproduction is without alteration and is accompanied by all associated warranties, conditions, limitations, and notices. Reproduction of this information with alteration is an unfair and deceptive business practice. TI is not responsible or liable for such altered documentation. Information of third parties may be subject to additional restrictions.

Resale of TI products or services with statements different from or beyond the parameters stated by TI for that product or service voids all express and any implied warranties for the associated TI product or service and is an unfair and deceptive business practice. TI is not responsible or liable for any such statements.

TI products are not authorized for use in safety-critical applications (such as life support) where a failure of the TI product would reasonably be expected to cause severe personal injury or death, unless officers of the parties have executed an agreement specifically governing such use. Buyers represent that they have all necessary expertise in the safety and regulatory ramifications of their applications, and acknowledge and agree that they are solely responsible for all legal, regulatory and safety-related requirements concerning their products and any use of TI products in such safety-critical applications, notwithstanding any applications-related information or support that may be provided by TI. Further, Buyers must fully indemnify TI and its representatives against any damages arising out of the use of TI products in such safety-critical applications.

TI products are neither designed nor intended for use in military/aerospace applications or environments unless the TI products are specifically designated by TI as military-grade or "enhanced plastic." Only products designated by TI as military-grade meet military specifications. Buyers acknowledge and agree that any such use of TI products which TI has not designated as military-grade is solely at the Buyer's risk, and that they are solely responsible for compliance with all legal and regulatory requirements in connection with such use.

TI products are neither designed nor intended for use in automotive applications or environments unless the specific TI products are designated by TI as compliant with ISO/TS 16949 requirements. Buyers acknowledge and agree that, if they use any non-designated products in automotive applications, TI will not be responsible for any failure to meet such requirements.

Following are URLs where you can obtain information on other Texas Instruments products and application solutions:

### Products

Amplifiers	<a href="http://amplifier.ti.com">amplifier.ti.com</a>
Data Converters	<a href="http://dataconverter.ti.com">dataconverter.ti.com</a>
DSP	<a href="http://dsp.ti.com">dsp.ti.com</a>
Clocks and Timers	<a href="http://www.ti.com/clocks">www.ti.com/clocks</a>
Interface	<a href="http://interface.ti.com">interface.ti.com</a>
Logic	<a href="http://logic.ti.com">logic.ti.com</a>
Power Mgmt	<a href="http://power.ti.com">power.ti.com</a>
Microcontrollers	<a href="http://microcontroller.ti.com">microcontroller.ti.com</a>
RFID	<a href="http://www.ti-rfid.com">www.ti-rfid.com</a>
RF/IF and ZigBee® Solutions	<a href="http://www.ti.com/lprf">www.ti.com/lprf</a>

### Applications

Audio	<a href="http://www.ti.com/audio">www.ti.com/audio</a>
Automotive	<a href="http://www.ti.com/automotive">www.ti.com/automotive</a>
Broadband	<a href="http://www.ti.com/broadband">www.ti.com/broadband</a>
Digital Control	<a href="http://www.ti.com/digitalcontrol">www.ti.com/digitalcontrol</a>
Medical	<a href="http://www.ti.com/medical">www.ti.com/medical</a>
Military	<a href="http://www.ti.com/military">www.ti.com/military</a>
Optical Networking	<a href="http://www.ti.com/opticalnetwork">www.ti.com/opticalnetwork</a>
Security	<a href="http://www.ti.com/security">www.ti.com/security</a>
Telephony	<a href="http://www.ti.com/telephony">www.ti.com/telephony</a>
Video & Imaging	<a href="http://www.ti.com/video">www.ti.com/video</a>
Wireless	<a href="http://www.ti.com/wireless">www.ti.com/wireless</a>

Mailing Address: Texas Instruments, Post Office Box 655303, Dallas, Texas 75265  
Copyright © 2008, Texas Instruments Incorporated